

**2311 Models 1, 11, and 12
Disk Storage Drive**

IBM Parts Catalog

**2311 Models 1, 11, and 12
Disk Storage Drive**

PREFACE

This Illustrated Parts Catalog (IPC) contains listings and illustrations of all replaceable assemblies, subassemblies and detail parts released to Production Control on or before March 21, 1967 for the 2311 Models 1, 11, and 12 Disk Storage Drive.

Requests for copies of IBM publications should be made to your IBM representative or to the IBM branch office serving your locality.

This manual has been prepared by the IBM Systems Development Division, Product Publications, Dept. B97 - Parts Catalog Center, P.O. Box 390, Poughkeepsie, New York 12602

A form is provided at the back of this publication for reader's comments. If the form has been removed, comments may be sent to the above address.

GLOSSARY I
 HOW TO USE II - III
 VISUAL INDEX IV through IX
 GROUP ASSEMBLY PARTS LIST 1 through 63
 NUMERICAL INDEX 1 through 8

GLOSSARY

AR

As Required (AR) in the units per assembly column denotes that the quantity is used as required.

*ASTERISK

An asterisk in the left margin of the list indicates a part changed in the latest revision of the catalog.

INDENTURE

The relationship of a part to its next higher assembly is indicated by indenture. For example:

- | | | | |
|------|--------------------------------------|---|---|
| 1 | 2 | 3 | 4 |
| Unit | | | |
| . | Assemblies and Detail Parts of Unit | | |
| . | Subassemblies | | |
| . | Detail Parts for Subassemblies, etc. | | |

II LOZENGE

The lozenge in the description column indicates parts not recommended for field replacement.

NP

The entry NP in the Units Per Asm column denotes the part is non-procurable and that the next higher assembly should be ordered.

NO NO.

When this indication appears in the part number column, it denotes a group of parts for which no part number has been assigned.

REF

This entry in the units per assembly column denotes an assembly which is completely assembled on a preceding illustration. Quantities for such items are found in its next higher assembly.

SIMILAR ASSEMBLIES

If two assemblies contain a majority of identical parts, they are broken down on the same list. Common parts are shown by one index number. Parts peculiar to one or the other of the assemblies are listed separately and identified by Usable On Code.

USABLE ON CODE

Part application and interchangeability is indicated by the usable on code. If this column is blank, the parts pertain to all equipment(s) covered. Two types of codes are used. The alphabetic code denotes similar assemblies and/or features; the numeric code denotes level. Refer to the beginning of each list for the explanation of the code(s).

VISUAL INDEX

This index is a pictorial index to catalog figures. The visual index directs the user to the proper figure, assisting him in locating the part number.

HOW TO USE AN IPC

IPC ORGANIZATION

To find parts quickly, you should understand the structure of a parts catalog. First, the complete machine is drawn with major assemblies and sub-assemblies in place (Visual Index Section). Then the machine is "disassembled" into drawings of assemblies and subassemblies (Group Assembly Parts List "GAPL" Section). Thus, the sequence of figures in the catalog is the reverse of the manufacturing assembly sequence. This means that parts are not grouped according to machine functions.

One result of structuring a catalog in this manner is that some parts -- filters, brackets, belts, spring clips -- may not be where you would "logically" expect to find them in a catalog. Because of the assembly sequence, you may find these kinds of parts on a higher-level assembly. This is an important point and is why every GAPL List is cross-referenced to any higher-level or lower-level figures.

Some detailed parts are unavailable, either because they are part of an inseparable assembly (two parts welded together), or because they are part of an assembly purchased as a unit. In either case, you will need to obtain the assembly rather than the detailed part. Here again, you need to locate the part number of the next higher assembly.

Catalog Sections

A parts catalog has three sections:

1. Visual Index -- At front of catalog; shows major assemblies
2. GAPL -- A pictorial breakdown of assemblies and subassemblies
3. Numerical Index -- At back of catalog; lists all part numbers numerically

Visual Index

The Visual Index is the starting point for locating a part. Illustrations in the visual index show over-all views of the machine and its major assemblies. Callouts on the illustrations lead you to detailed figures in the GAPL Section.

Group Assembly Parts List (GAPL)

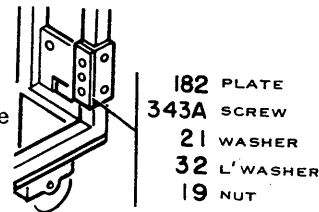
The GAPL Section consists of related Figures and Lists. The GAPL Figures break down the assemblies and subassemblies into detailed parts. The GAPL Lists describe the parts and give part numbers. Each Figure in the GAPL Section is referenced from the Visual Index Section. The relation of assemblies to subassemblies is indicated by indentation.

Numerical Index

The Numerical Index at the back of the catalog lists all parts in numeric order. Each part number is cross-referenced to related Lists and Figures in the GAPL Section. The Numerical Index permits you to locate and identify a part when only the part number is known.

Stacked Index Numbers

Index numbers are stacked only to indicate a part and its attaching hardware. The sequence of a typical stack is shown at right.



HOW TO FIND A PART

Steps 1 through 8 in the flow chart take you through the route for finding most parts. Because some parts may not be on the first GAPL Figure, you may be required to go to a lower-level or higher-level GAPL Figure to find a part.

Lower-Level Assembly

If the first GAPL Figure shows an assembly containing the required part, a figure reference in the GAPL List will indicate the proper, lower-level GAPL Figure. You should find your part in the breakdown of the assembly.

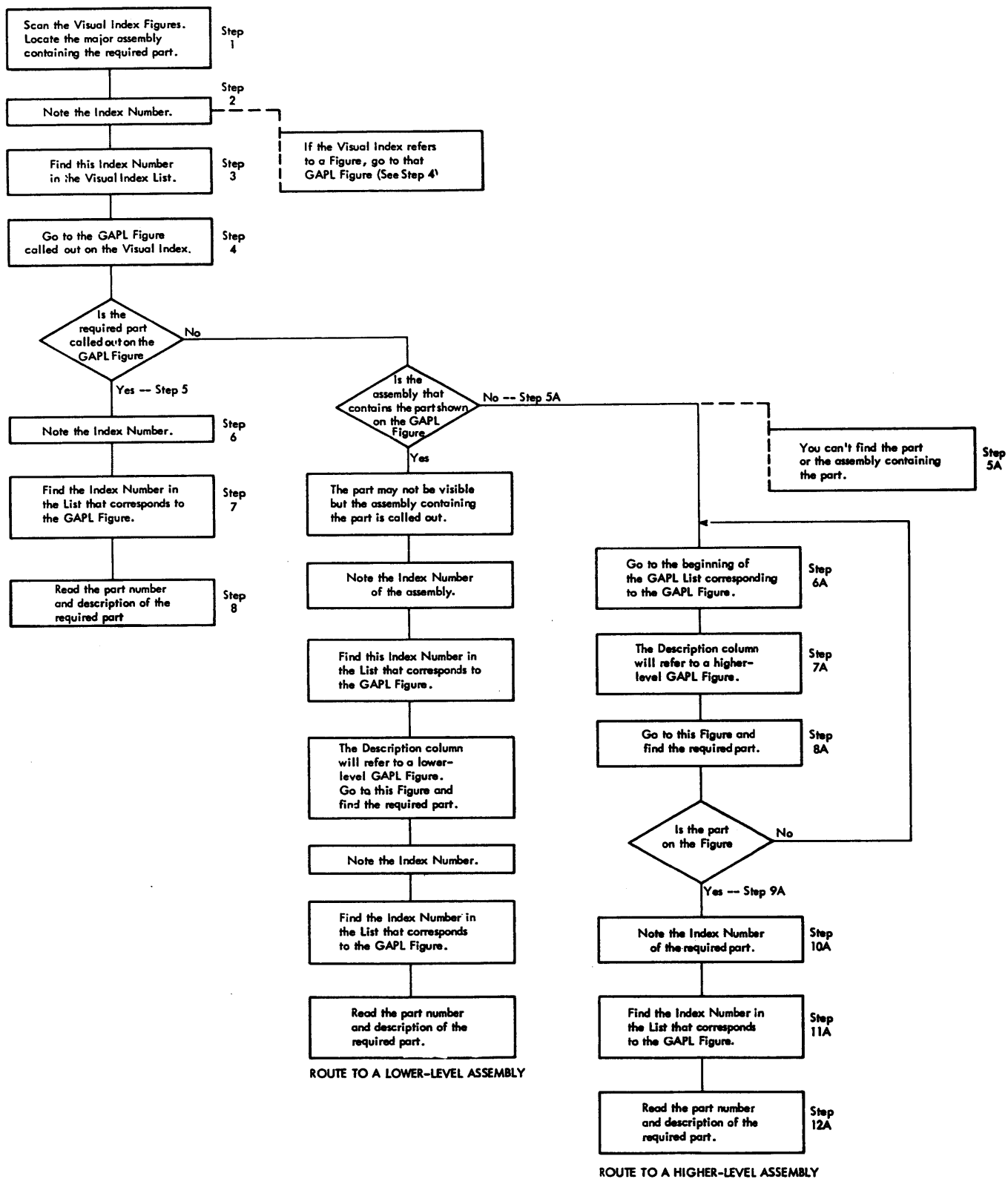
Higher-Level Assembly

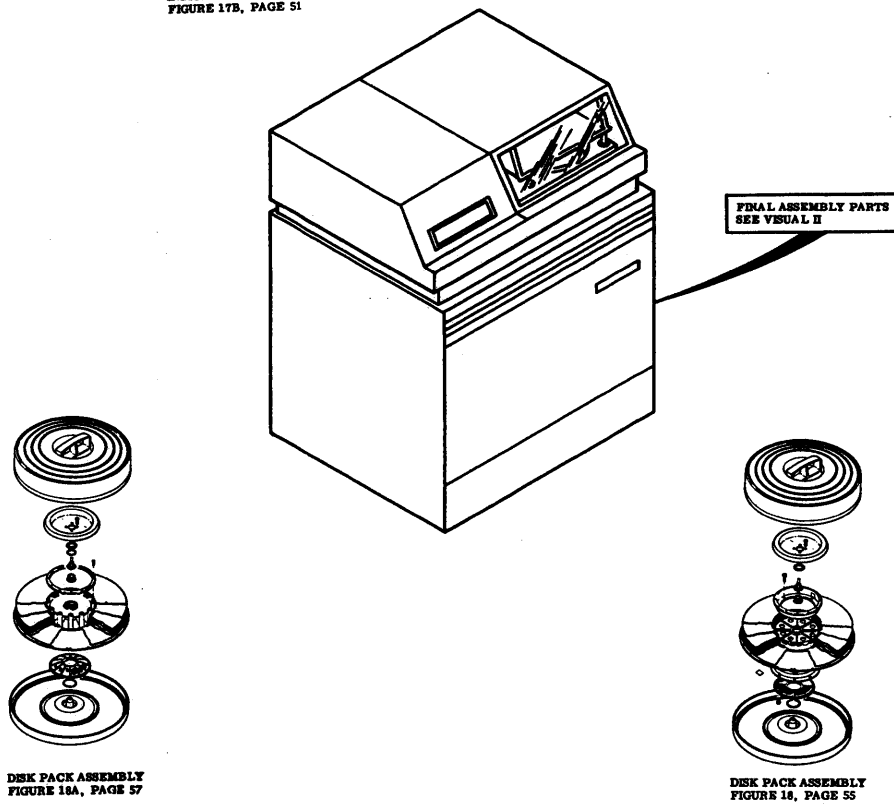
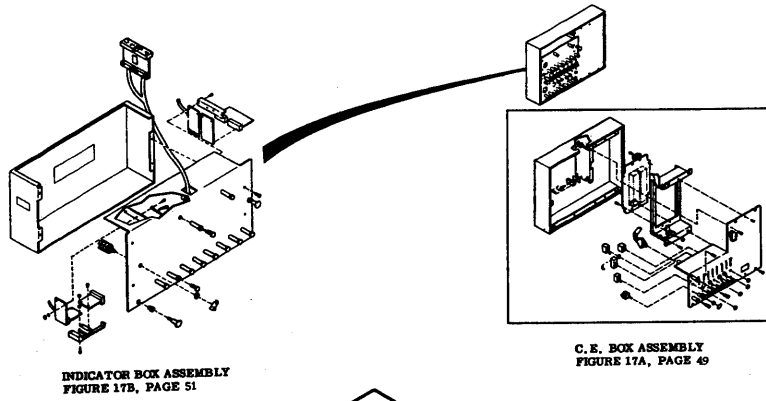
The most puzzling instance is when neither the part you are looking for, nor its assembly, is found on the first GAPL Figure. Steps 5A through 12A in the flow chart show the method. Note the loop after Step 8A of the flow chart provides for more than one level of "backing up" to find a part. If you do not find your part, go to the next higher-level, as indicated in Step 7A.

New Catalogs

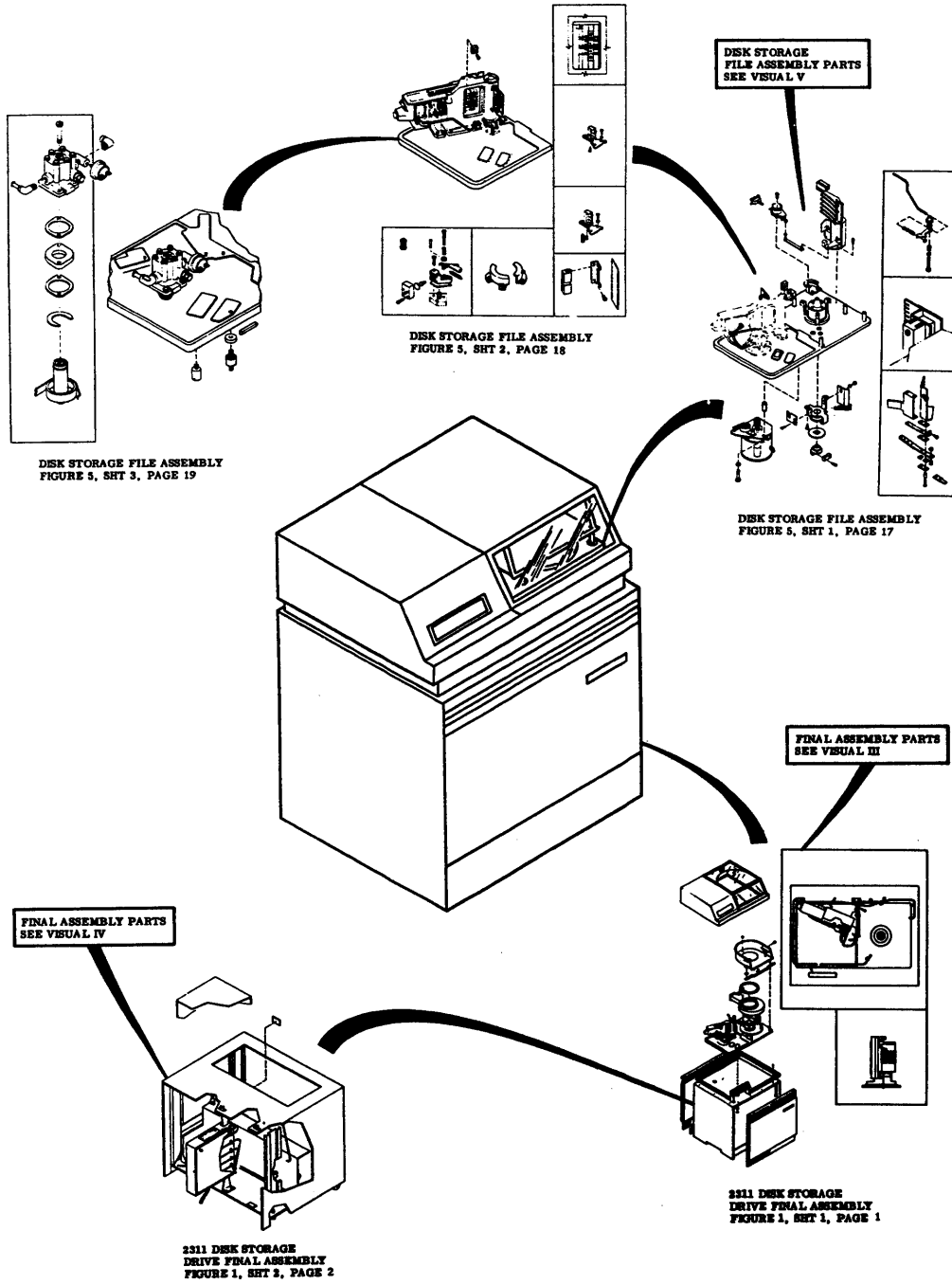
Catalogs issued after 1966 will contain improved methods of cross-referencing. New Visual Indexes will reference detailed figures directly, rather than through a list. Also, references to higher- or lower-level assemblies will be direct from figure to figure.

HOW TO FIND A PART

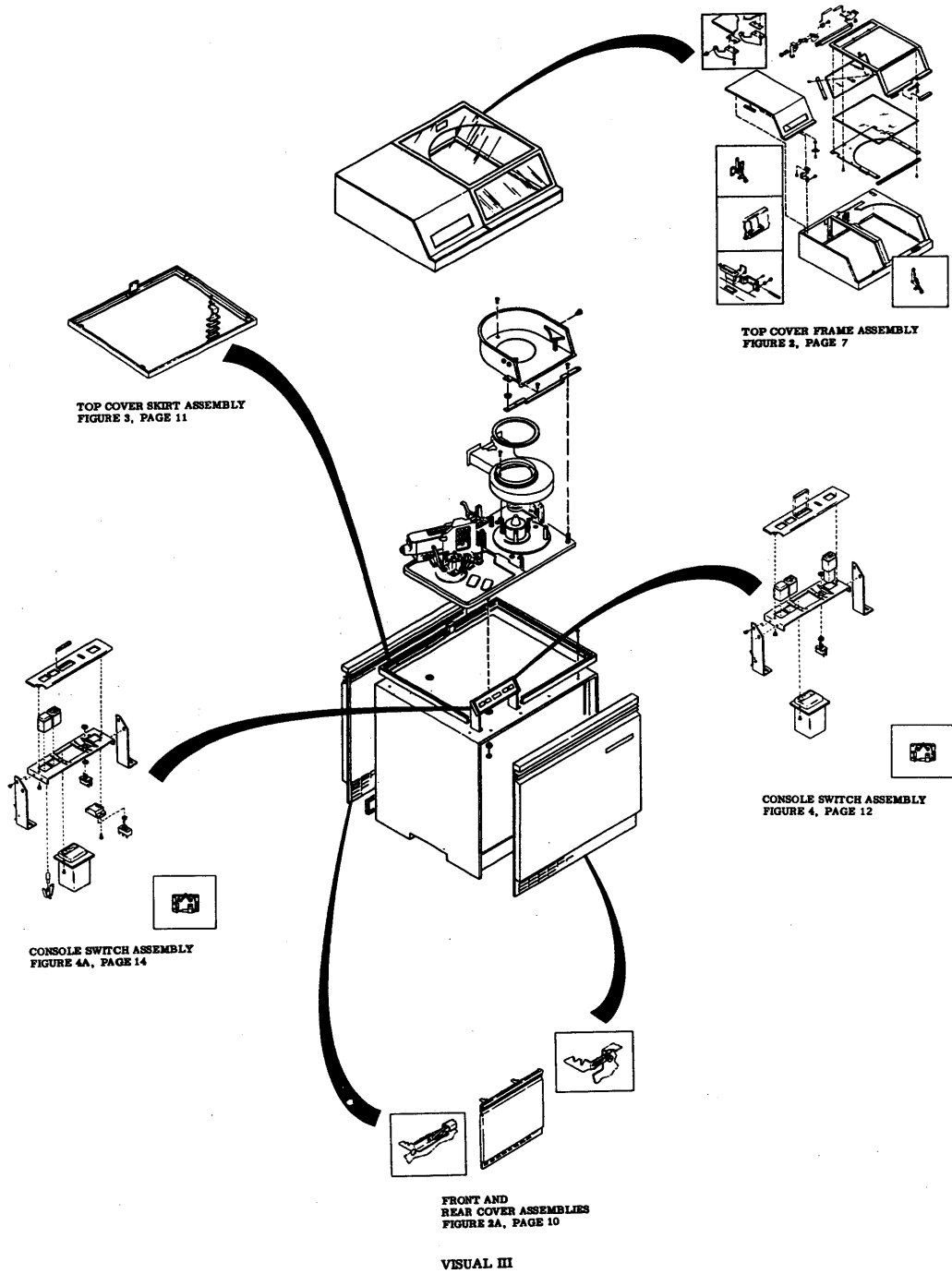


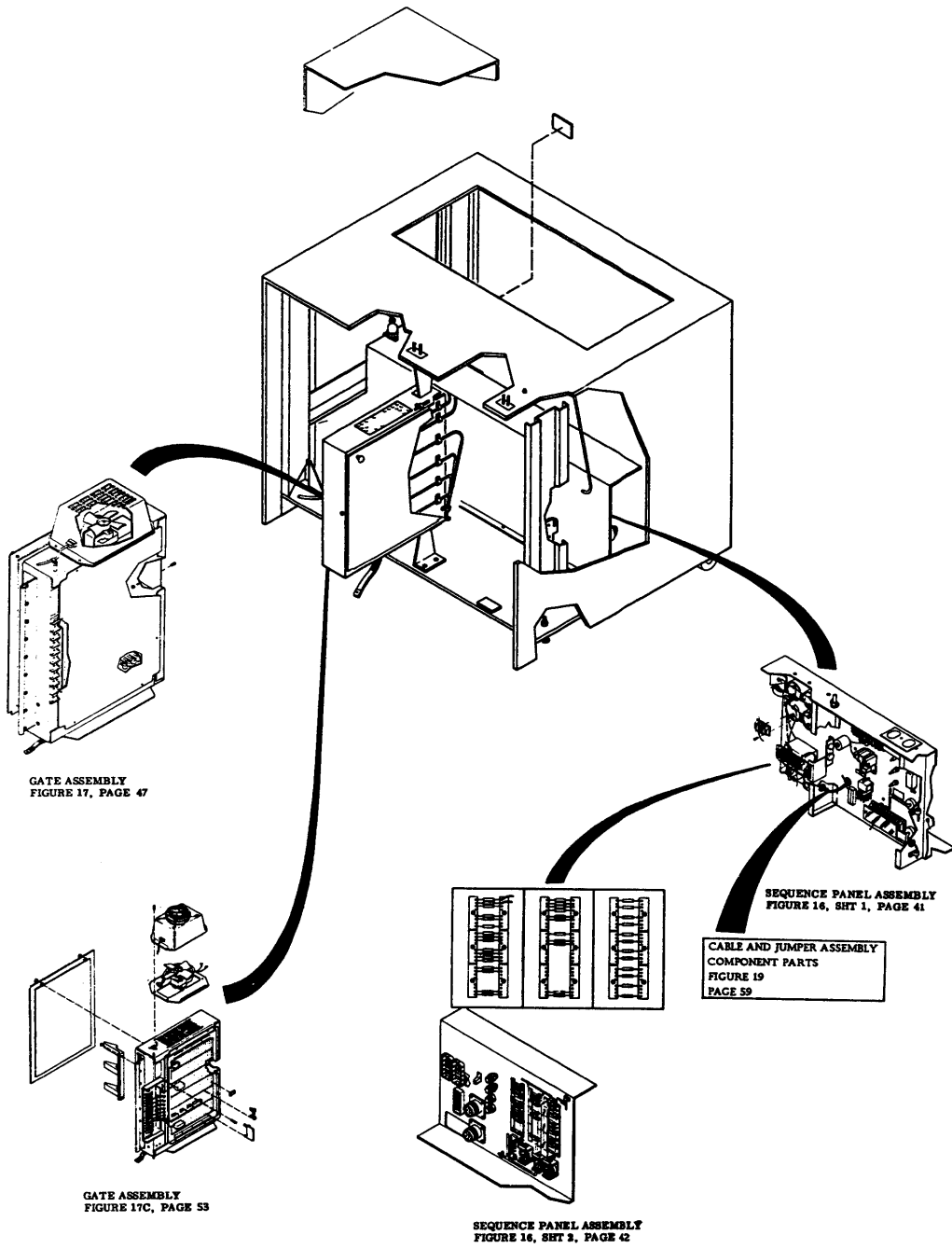


VISUAL I

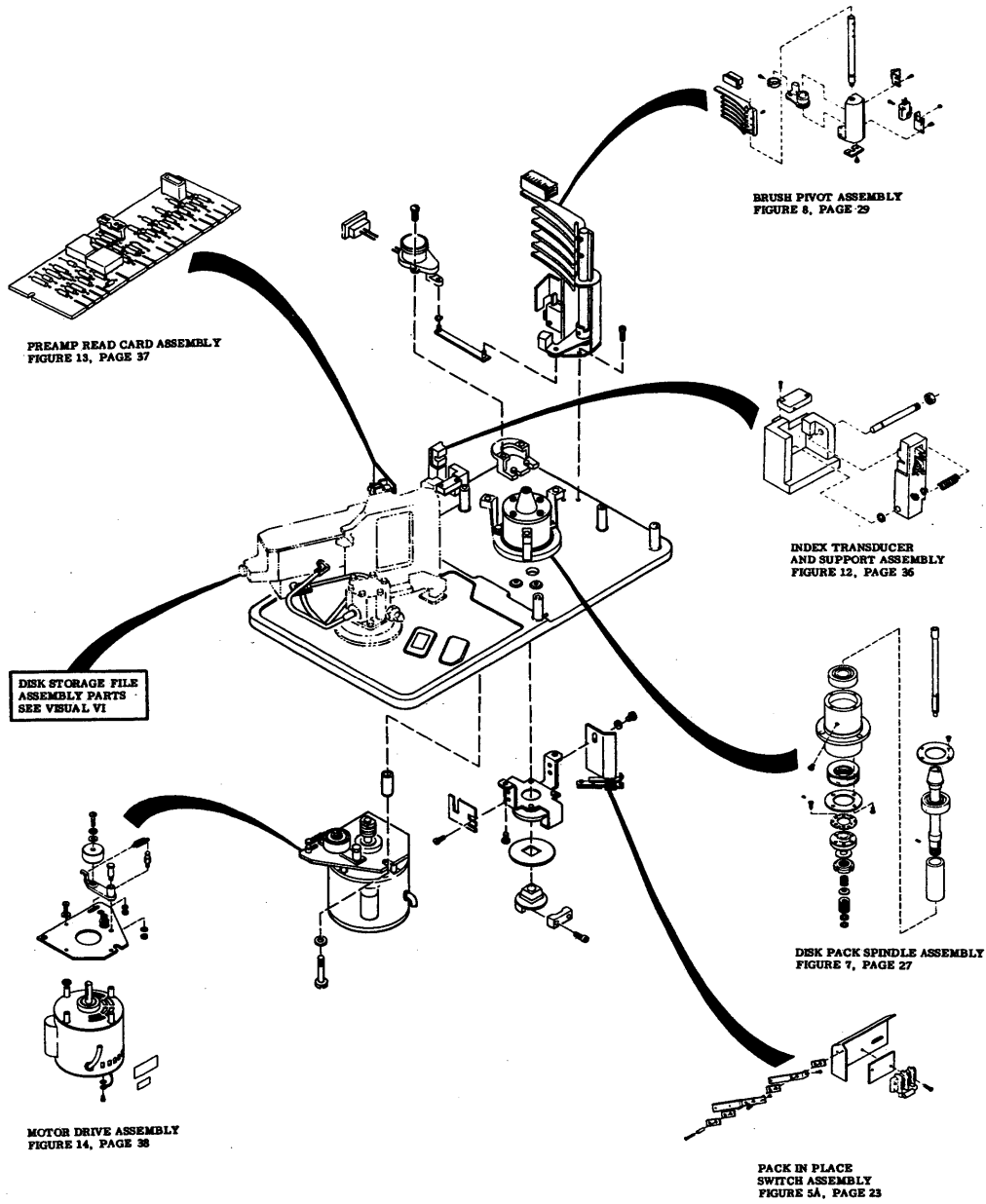


VISUAL II

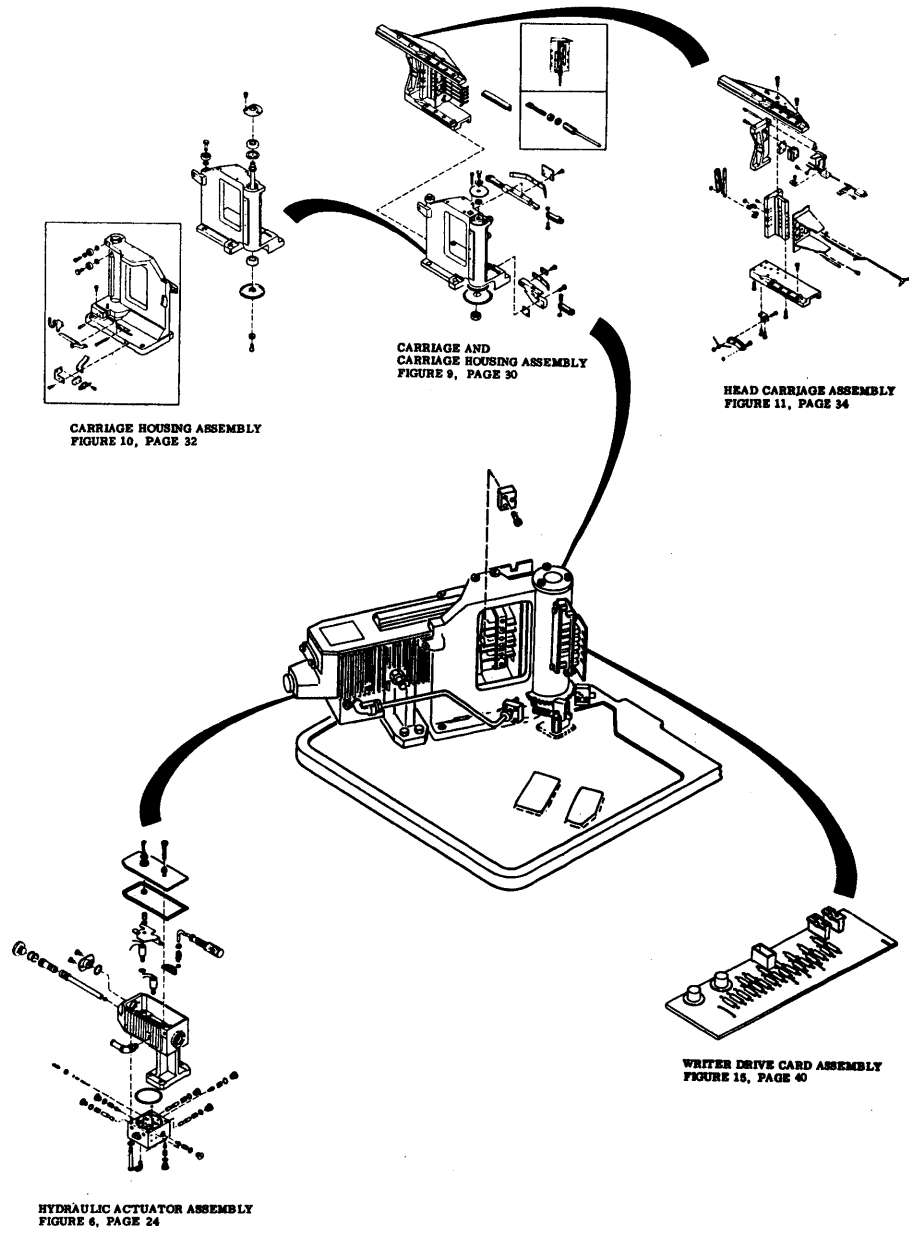




VISUAL IV



VISUAL V



VISUAL VI

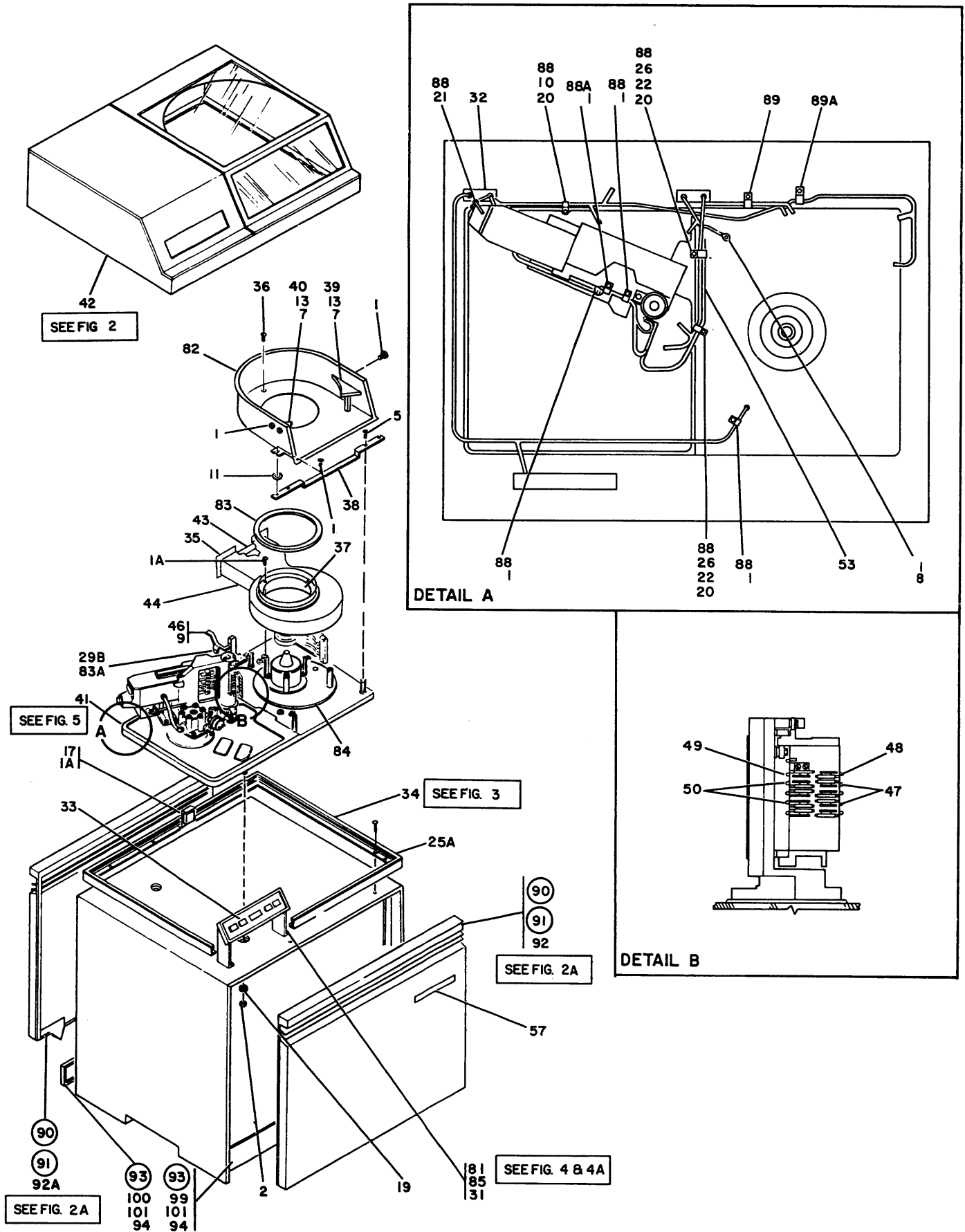


FIGURE 1. 2311 DISK STORAGE DRIVE FINAL ASSEMBLY. SHEET 1 OF 2. SEE LIST 1.

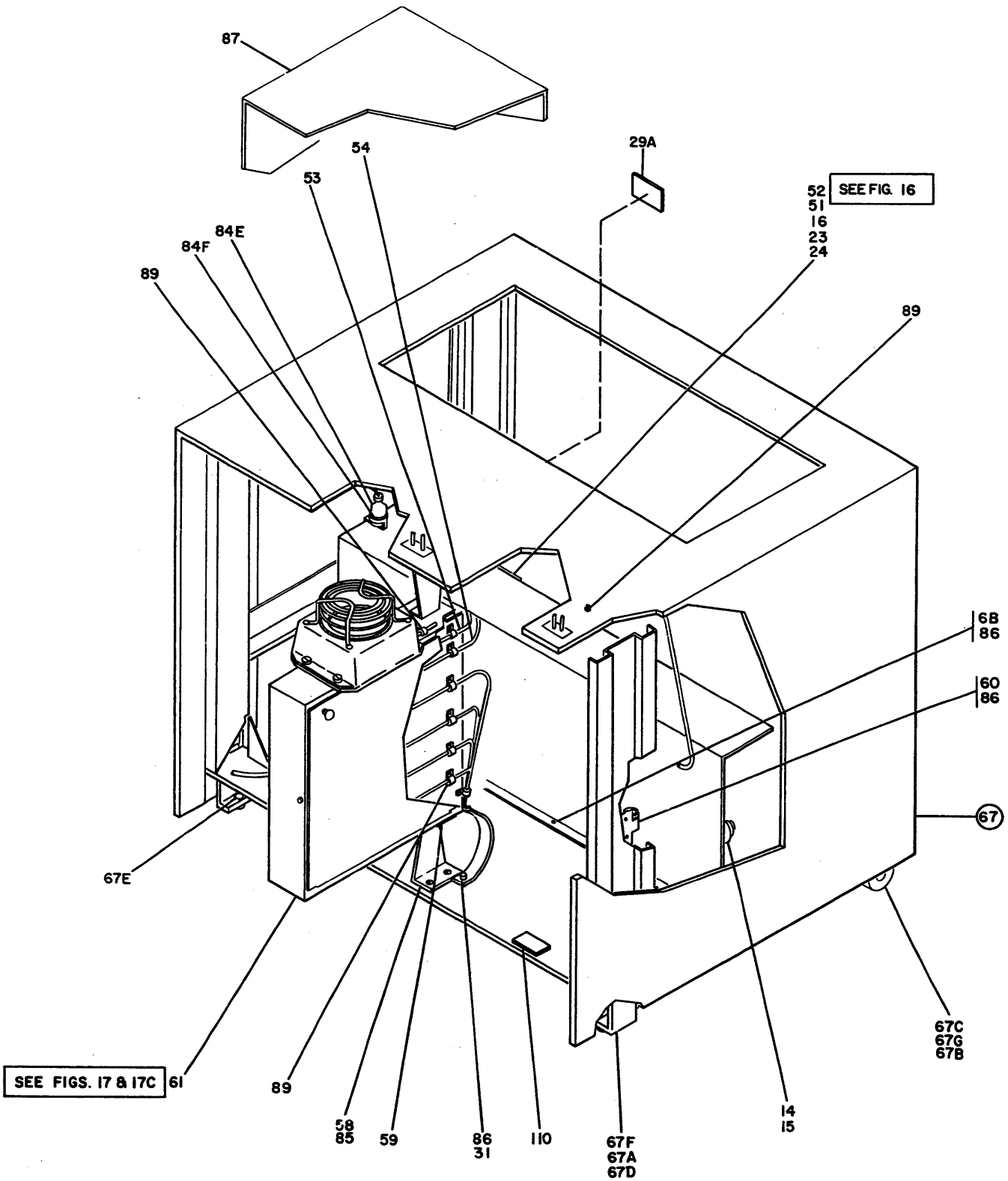


FIGURE 1. 2311 DISK STORAGE DRIVE FINAL ASSEMBLY. SHEET 2 OF 2. SEE LIST 1.

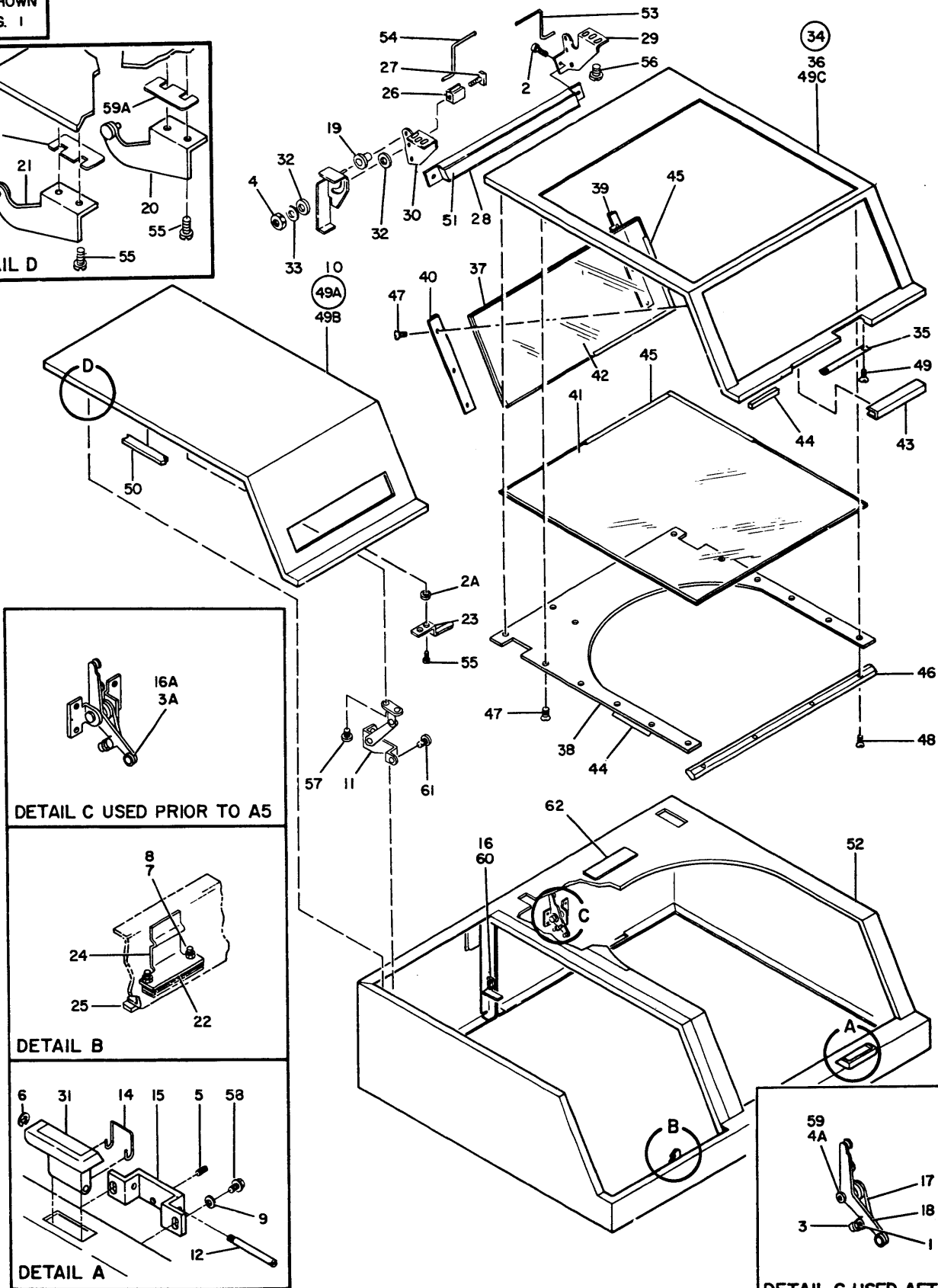
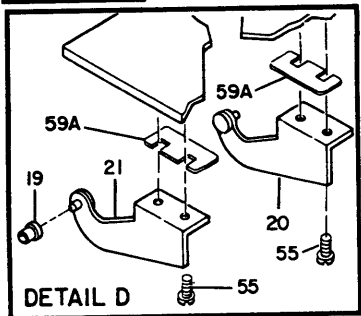
| LIST AND INDEX NO. | PART NO. | DESCRIPTION | UNITS PER ASM. | USABLE ON CODE |
|--------------------|----------|--|----------------|----------------|
| | | 1 2 3 4 | | |
| | | 2311 DISK STORAGE DRIVE FINAL ASSEMBLY | | |
| * 1 - | | - | | |
| | | CODE A USED ON 60 CYCLE MACHINES | | |
| | | CODE B USED ON 50 CYCLE MACHINES | | |
| | | CODE C USED ON BLUE COVER DOMESTIC MACH. | | |
| | | CODE D USED ON RED COVER DOMESTIC MACH. | | |
| | | CODE E USED ON YELLOW COVER DOMESTIC | | |
| | | CODE F USED ON GREY COVER DOMESTIC MACH. | | |
| | | CODE G USED ON BLUE COVER WTC MACHINES | | |
| | | CODE H USED ON RED COVER WTC MACHINES | | |
| | | CODE J USED ON YELLOW COVER WTC MACHINES | | |
| | | CODE K USED ON GRAY COVER WTC MACHINES | | |
| | | CODE L USED ON 360 IBM INSTALLATIONS | | |
| | | CODE M USED ON 360 NON-IBM INSTALLATIONS | | |
| | | CODE 1 USED ON ASM PRIOR TO L5 SUFFIX | | |
| | | CODE 2 USED ON ASM FROM L5 TO CURRENT | | |
| | | CODE 3 USED ON ASM PRIOR TO P5 SUFFIX | | |
| | | CODE 4 USED ON ASM FROM P5 TO CURRENT | | |
| | | CODE 5 USED ON ASM PRIOR TO A6 SUFFIX | | |
| | | CODE 6 USED ON ASM FROM A6 TO CURRENT | | |
| | | CODE 7 USED ON ASM PRIOR TO D6 SUFFIX | | |
| | | CODE 8 USED ON ASM PRIOR TO G6 SUFFIX | | |
| | | CODE 9 USED ON ASM FROM G6 TO CURRENT | | |
| - | 2180500 | FINAL ASSEMBLY, 60 CYCLE | REF | A |
| | | SEE FIGURE 1 FOR ILLUSTRATION | | |
| - | 2180850 | FINAL ASSEMBLY, 50 CYCLE | REF | B |
| | | SEE FIGURE 1 FOR ILLUSTRATION | | |
| * - 1 | 10170 | . SCREW-MACH,BIND HD NO. 6-32 X .250 LG | 10 | 8 |
| * - 1 | 10170 | . SCREW-MACH,BIND HD NO. 6-32 X .250 LG | 6 | 9 |
| * - 1A | 10170 | . SCREW-MACH,BIND HD NO. 6-32 X .250 LG | 5 | 5 |
| * - 1A | 2181005 | . SCREW, SELF TAPPING, 6-32 X .375 LG. | 5 | 6 |
| * - 1B | 10170 | . SCREW-MACH,BIND HD NO. 6-32 X .250 LG | 2 | |
| | | SEE FIGURE 16- 1 FOR ILLUSTRATION | | |
| - 2 | 25793 | . NUT,PLAIN,HEX- 5/16-18 X 1/2 FL W | 3 | |
| * - 2A | 25627 | . SCREW,MACH-BIND HD 8-32 X 1/2 LG | 4 | 2 |
| | | SEE FIGURE 16- 3A FOR ILLUSTRATION | | |
| * - 2B | 34512 | . SCREW,BIND.HD 8-32 X .375 LG | 1 | 2 |
| | | SEE FIGURE 16- 6A FOR ILLUSTRATION | | |
| - 3 | 38235 | . SCREW,MACH-FIL H 6-32 X 5/16 LG | 1 | |
| * - 4 | 38264 | . SCREW,MACH-FIL H 4-40 X 3/8 LG | 4 | 1 |
| * - 4 | 2181207 | . SCREW,THD FORMING-FIL H 6-32 X 1/4 LG | 8 | 2 |
| | | SEE FIGURE 16- 4A FOR ILLUSTRATION | | |
| * - 4A | 38354 | . SCREW,MACH-FIL H 6-32 X 1/2 LG | 4 | |
| | | SEE FIGURE 16- 8A FOR ILLUSTRATION | | |
| - 5 | 38443 | . SCREW, FLAT HEAD, 6-32 X 5/16 LG | 2 | |
| - 6 | 55726 | . SCREW, MACH-BIND HD NO. 6-32 X 3/16 LG | 2 | |
| | | SEE FIGURE 16- 11 FOR ILLUSTRATION | | |
| * - 6A | 55901 | . LOCKWASHER, EXTERNAL TOOTH | 5 | 2 |
| | | SEE FIGURE 16- 12B FOR ILLUSTRATION | | |
| * - 6B | 56079 | . WASHER,LOCK-EXT T .195 ID .410 OD | 1 | 2 |
| * - 7 | 56722 | . WASHER,LOCK-EXT T .141 ID | 2 | 8 |
| - 8 | 62031 | . WASHER,LOCK-INT TEETH NO. 6 X 0.295 OD | 2 | |
| - 9 | 80651 | . SCREW,SELF-TAPPING BIND HD 3/8 LG | 2 | |
| - 10 | 81693 | . SCREW, MACH-BIND HD NO 6-32 X 3/8 LG | 1 | |
| - 11 | 111229 | . WASHER | 2 | 8 |
| | | INDEX 12 DELETED | | |
| * - 13 | 186927 | . SCREW,CAP,SOC HD- 6-32 X 1/4 LG | 2 | 8 |
| - 14 | 187491 | . SHIELD,10 POSITION 15AMP | 1 | A |
| - 14 | 187491 | . SHIELD,10 POSITION 15AMP | 1 | 7B |
| - 15 | 210984 | . SCREW, RD HD MACH-6-32 X .250 LG | 1 | A |
| - 15 | 210984 | . SCREW, RD HD MACH-6-32 X .250 LG | 1 | 7B |

| LIST AND INDEX NO. | PART NO. | DESCRIPTION | UNITS PER ASM. | USABLE ON CODE |
|--------------------|----------|--|----------------|----------------|
| | | 1 2 3 4 | | |
| | | 2311 DISK STORAGE DRIVE FINAL ASSEMBLY -CONT | | |
| * 1 - 16 | 221790- | . SCREW, MACH-BIND HD 8-32 X 3/16 LG | 4 | 1 |
| * - 16 | 2181004 | . SCREW, THREAD FORMING-HEX WASHER HD | 4 | 2 |
| * - 17 | 231658- | . SWITCH, INTERLOCK | 1 | |
| * - 18 | 257958- | . SETSCREW, HEADLESS | 5 | |
| | | SEE FIGURE 8- 2A FOR ILLUSTRATION | | |
| * - 19 | 257983- | . WASHER, LOCK SPLIT 0.591 OD X 0.078 THK | 3 | |
| * - 20 | 257986- | . WASHER, FL- NO. 6 X 0.312 OD | 6 | |
| * - 21 | 322550- | . SCREW, MACH-BIND HD NO. 6-32 X 1/2 LG | 4 | |
| * - 22 | 322552- | . SCREW, MACH-BIND HD NO. 6-32 X 7/8 LG | 2 | |
| * - 22A | 359044 | . TUBING | AR | |
| | | SEE FIGURE 5- 23A FOR ILLUSTRATION | | |
| * - 23 | 362915 | . LABEL, IBM, BLACK LETTERS ON WHITE | 1 | |
| | | SEE FIGURE 16- 56A FOR ILLUSTRATION | | |
| * - 24 | 369207 | . LABEL, VOLTAGE | 1 | |
| * - 25 | 372688- | . CARD ASSEMBLY | 1 | |
| | | SEE FIGURE 16- 58 FOR ILLUSTRATION | | |
| * - 25A | 601093 | . SCREW, MACH-BIND HD 8-32 X 3/8 LG | 6 | |
| * - 26 | 601365 | . SPACER, 1/2 LG X 1/4 OD X 0.152 ID | 2 | |
| * - 26A | 734879- | . SWITCH, TOGGLE, DPDT, NOT ILLUSTRATED | 1 | 38 |
| * - 27 | 740490 | . DECAL | 1 | |
| | | SEE FIGURE 4- 25 AND 4A- 24 FOR ILLUSTRATION | | |
| * - 28 | 740493 | . BRACKET, CARD MOUNTING | 1 | |
| | | SEE FIGURE 16- 83 FOR ILLUSTRATION | | |
| * - 29 | 740550 | . JUMPER ASSEMBLY, 2-1/2 INCH | 2 | |
| | | SEE FIGURE 16- 84 FOR ILLUSTRATION | | |
| * - 29A | 845762 | . DECAL-VOLTAGE | 1 | 9 |
| * - 29B | 1073418- | . RING-RETAINING | 1 | |
| * - 30 | 2125765 | . LOCKWASHER, DISHED | 2 | |
| | | SEE FIGURE 16- 99E FOR ILLUSTRATION | | |
| * - 31 | 2125974 | . WASHER, INT TOOTH, .200 ID X .562 OD | 3 | |
| * - 32 | 2154009 | . GROMMET, RUBBER | 2 | |
| * - 33 | 2154534 | . BUTTON, NUMBER 0 | AR | 1 |
| * - 33 | 2154540 | . BUTTON, NUMBER 1 | AR | 1 |
| * - 33 | 2154541 | . BUTTON, NUMBER 2 | AR | 1 |
| * - 33 | 2154542 | . BUTTON, NUMBER 3 | AR | 1 |
| * - 33 | 2154542 | . BUTTON, NUMBER 3 | AR | 1 |
| * - 33 | 2162847 | . BUTTON, NUMBER 6 | AR | 1 |
| * - 33 | 2162848 | . BUTTON, NUMBER 8 | AR | 1 |
| * - 33 | 2180781 | . BUTTON, NUMBER 5 | AR | 1 |
| * - 33 | 2180782 | . BUTTON, NUMBER 7 | AR | 1 |
| | | SEE FIGURE 4- 26 FOR ILLUSTRATION | | |
| * - 34 | 2157620 | . SKIRT ASSEMBLY, TOP COVER | 1 | |
| | | SEE LIST 3 FOR DETAIL BREAKDOWN | | |
| * - 35 | 2157649 | . GASKET, SKIRT ASSEMBLY | AR | 3 |
| * - 35 | 2157643 | . SEAL, TOP COVER | AR | 4 |
| * - 36 | 2157666 | . SCREW, MACHINE-BIND HD, 6-32 X 0.437 LG | 1 | |
| * - 37 | 2160715 | . FILTER, AIR | 1 | |
| * - 38 | 2160719 | . BRACKET, SHROUD MOUNT | 1 | 8 |
| * - 38 | 2181291 | . BRACKET, SHROUD MOUNT | 1 | 9 |
| * - 39 | 2162564 | . GUIDE, DISK PACK RH | 1 | 8 |
| * - 40 | 2162565 | . GUIDE, DISK PACK LH | 1 | 8 |
| * - 41 | 2180400 | . FILE ASSEMBLY, 60 CYCLE | 1 | A |
| | | SEE LIST 5 FOR DETAIL BREAKDOWN | | |
| * - 41 | 2180860 | . FILE ASSEMBLY, 50 CYCLE | 1 | B |
| | | SEE LIST 5 FOR DETAIL BREAKDOWN | | |
| * - 42 | 2180470 | . FRAME ASSEMBLY, TOP COVER | 1 | |
| | | SEE LIST 2 FOR DETAIL BREAKDOWN | | |
| * - 43 | 2180475 | . HOUSING, FILTER | 1 | |
| * - 44 | 2180476 | . AIR DUCT | 1 | |
| * - 45 | 2180499 | . BRUSH ASSEMBLY, DISK PACK | 5 | |
| | | SEE FIGURE 8- 17 FOR ILLUSTRATION | | |
| * - 46 | 2180519 | . PADDLE, INDEX TRANSDUCER | 1 | 3 |
| * - 46 | 2181039 | . PADDLE, INDEX TRANSDUCER | 1 | 4 |
| * - 47 | 2180560- | . HEAD ASSEMBLY, A-UP | 2 | |

| LIST AND INDEX NO. | PART NO. | DESCRIPTION | UNITS PER ASM. | USABLE ON CODE |
|--------------------|----------|---|----------------|----------------|
| | | 2311 DISK STORAGE DRIVE FINAL ASSEMBLY -CONT | | |
| 1 - 48 | 2180561 | . HEAD ASSEMBLY, A-DOWN | 3 | |
| - 49 | 2180562 | . HEAD ASSEMBLY, B-UP | 3 | |
| - 50 | 2180563 | . HEAD ASSEMBLY, B-DOWN | 2 | |
| - 51 | 2180679 | . COVER, SEQUENCE PANEL | 1 | |
| - 52 | 2180680 | . PANEL ASSEMBLY, SEQUENCE, 60 CYCLE SEE LIST 16 FOR DETAIL BREAKDOWN | 1 | A |
| - 52 | 2180852 | . PANEL ASSEMBLY, SEQUENCE, 50 CYCLE SEE LIST 16 FOR DETAIL BREAKDOWN | 1 | B |
| - 53 | 2180687 | . CABLE ASSEMBLY, HEAD CARDS TO GATE SEE LIST 19-3, 3A, 12, 13D, 14, 21D, 36, 36A, 55 AND 62, FOR COMPONENT PARTS | 1 | |
| - 54 | 2180690 | . CABLE ASSEMBLY, GATE TO TRANSDUCER SEE LIST 19-13B, 20, 53, 55, 59, 60, 61, AND 62, FOR COMPONENT PARTS | 1 | |
| - 55 | 2180691 | . CABLE ASSEMBLY, DC TO GATE SEE FIGURE 16- 132 FOR ILLUSTRATION | 1 | |
| - 56 | 2180692 | . CABLE ASSEMBLY, SIGNAL PLUG TO GATE | 1 | 1 |
| - 56 | 2181189 | . CABLE ASSEMBLY-SIGNAL PLUG TO GATE SEE FIGURE 16- 133 FOR ILLUSTRATION | 1 | 2 |
| - 57 | 2180714 | . NAME PLATE, 2311 DISK STORAGE DRIVE | 1 | A |
| - 57 | 2180714 | . NAME PLATE, 2311 DISK STORAGE DRIVE USED ON LANGUAGE GROUP ENGLISH FEATURE ONLY P/N 2180861 | 1 | B |
| - 57 | 4207403 | . PLATE, NAME, GERMAN USED ON LANGUAGE GROUP FRENCH FEATURE ONLY P/N 2180862 | 1 | B |
| - 57 | 4207404 | . PLATE, NAME, FRENCH USED ON LANGUAGE GROUP GERMAN FEATURE ONLY P/N 2180863 | 1 | B |
| - 58 | 2180723 | . BRACKET, GATE | 2 | |
| - 59 | 2180735 | . BRACKET, GATE STOP | 1 | |
| - 60 | 2180737 | . LATCH, GATE | 1 | |
| - 61 | 2180740 | . GATE ASSEMBLY SEE LIST 17 FOR DETAIL BREAKDOWN | 1 | 5 |
| - 61 | 2180740 | . GATE ASSEMBLY SEE LIST 17C FOR DETAIL BREAKDOWN INDEXES 62 THRU 66 DELETED | 1 | 6 |
| - 67 | 2180873 | . MODULE ASSEMBLY, LOWER STRUCTURE | 1 | |
| - 67A | 38686 | . . SCREW, MACH-HEX HD 1/4-20 X 1/2 LG | 2 | |
| - 67B | 186950 | . . NUT, HEX | 4 | |
| - 67C | 2180845 | . . CASTER | 4 | |
| - 67D | 2180846 | . . LOCKWASHER, SHAKEPROOF | 2 | |
| - 67E | 2180847 | . . PAD, STAND | 2 | |
| - 67F | 2180848 | . . STAND, STEEL, 6 INCHES LONG | 2 | |
| - 67G | 2180968 | . . NUT, GRIP, 1/2-13 UNC INDEXES 68 THRU 80 DELETED | 4 | |
| - 81 | 2180918 | . SWITCH ASSEMBLY, CONSOLE, 60 CYCLE SEE LIST 4 FOR DETAIL BREAKDOWN | 1 | 1A |
| - 81 | 2180919 | . SWITCH ASSEMBLY, CONSOLE, 50 CYCLE SEE LIST 4 FOR DETAIL BREAKDOWN | 1 | 1B |
| - 81 | 2180918 | . SWITCH ASSEMBLY, CONSOLE, 60 CYCLE SEE LIST 4A FOR DETAIL BREAKDOWN | 1 | 2A |
| - 81 | 2180919 | . SWITCH ASSEMBLY, CONSOLE, 50 CYCLE SEE LIST 4A FOR DETAIL BREAKDOWN | 1 | 2B |
| - 82 | 2181022 | . SHROUD, DISK TOP COVER-STEEL | 1 | 8 |
| - 82 | 2181290 | . SHROUD, DISK TOP COVER-PLASTIC | 1 | 9 |
| - 83 | 2181023 | . SEAL, 7.50 ID X 8.50 OD X .187 THICK | 1 | |
| - 83A | 2181043 | . STUD, ADJUSTABLE PIVOT | 1 | 4 |
| - 84 | 2181070 | . SEAL, FILTER HOUSING | 1 | |
| - 84A | 2181199 | . CLIP-STRAIN RELIEF SEE FIGURE 16- 145 FOR ILLUSTRATION | 4 | 2 |
| - 84B | 2181204 | . JUMPER ASSEMBLY SEE FIGURE 16- 146 FOR ILLUSTRATION | 1 | 2 |
| - 84C | 2181205 | . JUMPER ASM-GRN/YEL 1 LUG 2 SOCK CONTACTS SEE FIGURE 16- 147 FOR ILLUSTRATION | 1 | 2 |
| - 84D | 2181206 | . BAR, ADAPTER SEE FIGURE 16- 148 FOR ILLUSTRATION | 2 | 2 |
| - 84E | 2181271 | . BOTTLE, PLASTIC- 8 OUNCE | 1 | 9 |
| - 84F | 2181272 | . CLIP-BOTTLE | 1 | 9 |
| - 85 | 5319888 | . SCREW, SELF TAPPING, 10-32 X .625 LONG | 6 | |
| - 86 | 5348495 | . SCREW | 9 | 1 |
| - 86 | 2181004 | . SCREW, THREAD FORMING-HEX WASHER HD | 9 | 2 |
| - 87 | 7350362 | . COVER, SHIPPING | 1 | 8 |
| - 87 | 4061725 | . SHROUD-SUBSTITUTE PART | 1 | 9 |

| LIST AND INDEX NO. | PART NO. | DESCRIPTION | | | | UNITS PER ASM. | USABLE ON CODE |
|--|----------|---|---|---|---|----------------|----------------|
| | | 1 | 2 | 3 | 4 | | |
| 2311 DISK STORAGE DRIVE FINAL ASSEMBLY -CONT | | | | | | | |
| * 1 - 88 | NO NO. | . CABLE CLAMP, SEE LIST 19-1 | | | | AR | |
| * - 88A | NO NO. | . CABLE CLAMP, SEE LIST 19-1 | | | | AR | 1 |
| * - 89 | NO NO. | . CABLE CLAMP, SEE LIST 19-2 | | | | AR | |
| * - 89A | NO NO. | . CABLE CLAMP, SEE LIST 19-2 | | | | AR | 1 |
| - 90 | 2180910 | COVER GROUP FEATURE-BLUE 60 CY DOMESTIC | | | | REF | C |
| - 90 | 2180911 | COVER GROUP FEATURE-RED 60 CY DOMESTIC | | | | REF | D |
| - 90 | 2180912 | COVER GROUP FEATURE-YELLOW 60 CY DOM. | | | | REF | E |
| - 90 | 2180913 | COVER GROUP FEATURE-GREY 60 CY DOMESTIC | | | | REF | F |
| * - 90 | 2181034 | COVER GROUP FEATURE-BLUE 50 CYC WTC | | | | REF | G |
| * - 90 | 2181035 | COVER GROUP FEATURE-RED 50 CYC WTC | | | | REF | H |
| * - 90 | 2181036 | COVER GROUP FEATURE-YELLOW 50 CYC WTC | | | | REF | J |
| * - 90 | 2181037 | COVER GROUP FEATURE-GREY 50 CYC WTC | | | | REF | K |
| * - 90A | 2154286 | . PLATE, IDENTIFICATION NOT ILLUSTRATED USED ON CODES G THRU K ONLY | | | | 1 | |
| - 91 | 2173540 | . COVER GROUP-BLUE | | | | 1 | C |
| - 91 | 2178541 | . COVER GROUP-RED | | | | 1 | D |
| - 91 | 2178542 | . COVER GROUP-YELLOW | | | | 1 | E |
| - 91 | 2173543 | . COVER GROUP-GREY | | | | 1 | F |
| - 91 | 2181030 | . COVER GROUP-BLUE | | | | 1 | G |
| - 91 | 2181031 | . COVER GROUP-RED | | | | 1 | H |
| - 91 | 2181032 | . COVER GROUP-YELLOW | | | | 1 | J |
| - 91 | 2181033 | . COVER GROUP-GREY | | | | 1 | K |
| - 92 | 2180894 | . . FRONT COVER ASSEMBLY-DOMESTIC USED ON CODES C THRU F ONLY SEE LIST 2A FOR DETAIL BREAKDOWN | | | | 1 | |
| - 92 | 2181024 | . . FRONT COVER ASSEMBLY-WORLD TRADE USED ON CODES G THRU K ONLY SEE LIST 2A FOR DETAIL BREAKDOWN | | | | 1 | |
| - 92A | 2180895 | . . REAR COVER ASSEMBLY-DOMESTIC USED ON CODES C THRU F ONLY SEE LIST 2A FOR DETAIL BREAKDOWN | | | | 1 | |
| - 92A | 2161027 | . . REAR COVER ASSEMBLY-WORLD TRADE USED ON CODES G THRU K ONLY SEE LIST 2A FOR DETAIL BREAKDOWN | | | | 1 | |
| - 93 | 2180900 | SHIPPING GROUP-IBM 360 INSTALLATION | | | | REF | L |
| - 93 | 2181225 | SHIPPING GROUP-NON IBM 360 INSTALLATION | | | | REF | M |
| * - 94 | 28413 | . SCREW, MACH-BIND HD 10-32 X 5/16 LG | | | | 6 | 5 |
| * - 94 | 509772 | . SCREW | | | | 6 | 6 |
| - 95 | 2108474 | . PADDLE-HEAD CLEANING NOT ILLUSTRATED | | | | 55 | M |
| - 96 | 2108626 | . KEY-HEAD ARM ADJUSTMENT NOT ILLUSTRATED | | | | 1 | M |
| - 97 | 2108913 | . ADAPTER ASSEMBLY NOT ILLUSTRATED | | | | 1 | M |
| - 98 | 2162567 | . WIPER, DISK NOT ILLUSTRATED | | | | 55 | M |
| - 99 | 2180901 | . KICKSTRIP, FRONT | | | | 1 | |
| -100 | 2180902 | . KICKSTRIP, REAR | | | | 1 | |
| -101 | 2180915 | . CLIP, KICKSTRIP MOUNTING INDEX 102 DELETED | | | | 6 | |
| -103 | 2133908 | R AND S 60 CYCLE METER FEATURE NOT ILLUSTRATED | | | | REF | A |
| -103 | 2133909 | R AND S 50 CYCLE METER FEATURE NOT ILLUSTRATED | | | | REF | B |
| -104 | 11598 | . NUT PLAIN HEX 10/32 NOT ILLUSTRATED | | | | 1 | |
| -105 | 32617 | . SCREW, MACH BO HD 10-32 NF X .4375 LG NOT ILLUSTRATED | | | | 1 | |
| -106 | 56121~ | . WASHER, LOCK-INT TEETH NO. 10 X 0.381 OD NOT ILLUSTRATED | | | | 1 | |
| -107 | 813197 | . HOUSING-TERMINAL NOT ILLUSTRATED | | | | 1 | |
| -108 | 2180890 | . METER ASSEMBLY-R AND S NOT ILLUSTRATED | | | | 1 | |
| -109 | 5804271~ | . CARD ASSEMBLY, SLT NOT ILLUSTRATED | | | | 1 | |
| * -110 | 122639 | PLATE, IDENTIFICATION-SALE SERIAL NUMBER | | | | 1 | B |
| * -110 | 180528 | PLATE, IDENTIFICATION-SERIAL NUMBER | | | | 1 | B |
| * -110 | 124631 | PLATE, IDENTIFICATION-LEASE W/SALE OPTION SEE LIST 4A- 26 FOR NEXT HIGHER ASM. | | | | 1 | B |

FOR PARTS
NOT SHOWN
SEE FIG. 1



DETAIL C USED PRIOR TO A5

DETAIL B

DETAIL A

DETAIL C USED AFTER A5

FIGURE 2. TOP COVER FRAME ASSEMBLY. SEE LIST 2.

| LIST AND INDEX NO. | PART NO. | DESCRIPTION | UNITS PER ASM. | USABLE ON CODE |
|--------------------|----------|---|----------------|----------------|
| | | 1 2 3 4 | | |
| | | TOP COVER FRAME ASSEMBLY | | |
| * 2 - | | CODE 1 USED ON ASM PRIOR TO A5 SUFFIX CODE 2 USED ON ASM FROM A5 TO CURRENT CODE 3 USED ON ASM PRIOR TO G5 SUFFIX CODE 4 USED ON ASM FROM G5 TO CURRENT CODE 5 USED ON ASM PRIOR TO B6 SUFFIX CODE 6 USED ON ASM FROM B6 TO CURRENT CODE 7 USED ON ASM PRIOR TO E6 SUFFIX CODE 8 USED ON ASM FROM E6 TO CURRENT CODE 9 USED ON ASM FROM G6 TO CURRENT | | |
| - | 2180470 | FRAME ASSEMBLY, TOP COVER SEE LIST 1- 42 FOR NEXT HIGHER ASM. AND FIGURE 2 FOR ILLUSTRATION | REF | |
| * - 1 | 3960 | . NUT,PLAIN,HEX- 1/4-20 X 7/16 FL W | 1 | 2 |
| * - 2 | 10170 | . SCREW,MACH-BIND HD 6-32 X 1/4 LG | 2 | |
| * - 2A | 22478 | . WASHER,FL- 0.170 ID 0.375 OD 0.032 THK | AR | 9 |
| * - 3 | 59647 | . SCREW,MACH-HEX HD 1/4-20 X 1 LG | 1 | 2 |
| * - 3A | 72828 | . NUT,SELF LKG,HEX- 8-32 X 0.334 FL W | 4 | 1 |
| * - 4 | 125930 | . NUT,PLAIN HEX 10/32 | 2 | 2 |
| * - 4A | 344015 | . NUT,SELF LKG,HEX- 6-32 X 5/16 FL W | 1 | 6 |
| - 5 | 251446 | . SCREW, HEADLESS SET, 6-32 X 5/16 LG | 55 | |
| - 6 | 257982 | . CLIP,RETAINING | 1 | |
| * - 7 | 344015 | . NUT,SELF LKG,HEX- 6-32 X 5/16 FL W | 2 | |
| - 8 | 438573 | . SCREW,MACHINE FLAT HEAD | 2 | |
| - 9 | 2125974 | . WASHER, INT TOOTH, .200 ID X .562 OD | 2 | |
| * - 10 | 2157628 | . COVER, LEFT HAND TOP | 1 | 7 |
| - 11 | 2157632 | . STAY BRACE, LEFT HAND TOP COVER | 1 | |
| - 12 | 2157639 | . SHAFT, LATCH PIVOT, RIGHT HAND COVER | 1 | |
| * - 13 | 2157647 | . SCREW, MACHINE-BIND. HEAD, 6-32 X 1/4 LG NOT ILLUSTRATED | 2 | 7 |
| - 14 | 2157665 | . SPRING, R.H. COVER, TOP MACHINE | 1 | |
| - 15 | 2157693 | . BRACKET, LATCH MOUNTING, R.H. COVER | 1 | |
| - 16 | 2160849 | . BRACKET, ACTUATOR, C.E. SWITCH | 1 | |
| * - 16A | 2162500 | . LEVER ASSEMBLY, SECTOR BLOCK | 1 | 1 |
| - 17 | 2162507 | . TORSION SPRING, RETRACT MECHANISM | 1 | 2 |
| * - 18 | 2162543 | . CRANK ASSEMBLY, RETRACT MECHANISM | 1 | 2 |
| - 19 | 2162720 | . BUSHING, HINGE | 4 | |
| - 20 | 2162721 | . HINGE, LH, CE COVER | 1 | |
| - 21 | 2162723 | . HINGE, RH, CE COVER | 1 | |
| - 22 | 2162793 | . CLAMP PLATE, SPRING | 2 | |
| * - 23 | 2162843 | . STRIKER, LH COVER | 1 | 3 |
| * - 23 | 2181072 | . STRIKE-LEFT HAND COVER | 1 | 4 |
| * - 24 | 2162844 | . LATCH, LH COVER | 1 | 3 |
| * - 24 | 2181073 | . LATCH-L.H. COVER | 1 | 4 |
| - 25 | 2162959 | . FELT, .062 X .375 WIDE, BULK | AR | |
| - 26 | 2162961 | . GUIDE, TORSION BAR | 2 | |
| - 27 | 2162962 | . SCREW, TEE, 10-32 X 0.97 LG. | 2 | |
| - 28 | 2162963 | . BAR, SWITCH | 1 | |
| - 29 | 2162964 | . BRACKET, COVER RIGHT | 1 | |
| - 30 | 2162965 | . BRACKET, COVER LEFT | 1 | |
| - 31 | 2162966 | . LATCH, RH TOP COVER | 1 | |
| - 32 | 2162969 | . RING, 0.625 OD, 0.195 ID, 0.125 THICK | 4 | |
| - 33 | 2162972 | . WASHER, SPRING, 0.562 OD, 0.208 ID | 2 | |
| * - 34 | 2162974 | . COVER ASM, TOP | 1 | |
| - 35 | 2157616 | . . STRIKE, RIGHT HAND TOP COVER | 1 | |
| - 36 | 2162951 | . . COVER, RH | 1 | 7 |
| * - 37 | 2162953 | . . CHANNEL, WINDOW | 1 | 3 |
| - 38 | 2162954 | . . UNDERCOVER, RH TOP COVER | 1 | |
| - 39 | 2162955 | . . CLAMP, RH | 1 | |
| - 40 | 2162956 | . . CLAMP, LH | 1 | |
| - 41 | 2162957 | . . GLASS, COVER | 1 | |
| - 42 | 2162958 | . . GLASS, FRONT, COVER | 1 | |
| - 43 | 2162967 | . . HANDLE, RH TOP COVER | 1 | |
| - 44 | 2162977 | . . SEAL, TOP COVER | AR | |
| - 45 | 2180976 | . . PACKING, WINDOW | AR | |
| - 46 | 2180991 | . . SUPPORT, GLASS INTERMEDIATE | 1 | |
| - 47 | 2181000 | . . SCREW, FLATHEAD UNDERCUT, 8-32 X .297 LG | 24 | |
| - 48 | 2181009 | . . SCREW, FLATHEAD UNDERCUT, 6-32 X .50 LG. | 4 | |
| - 49 | 2181010 | . . SCREW, FLATHEAD UNDERCUT, 6-32 X .437 | 2 | |
| * - 49A | 2181245 | . . COVER ASSEMBLY-TOP DOOR | 1 | 8 |
| * - 49B | 2157628 | . . . COVER, LEFT HAND TOP | 1 | 8 |
| * - 49C | 2162951 | . . . COVER, RH | 1 | 8 |
| - 50 | 2162977 | . SEAL, TOP COVER | AR | |
| - 51 | 2162978 | . BUMPER, 1.00 X 0.75 X 12.50 LG | 1 | |
| - 52 | 2180471 | . FRAME, MAIN | 1 | |

| LIST AND INDEX NO. | PART NO. | DESCRIPTION | | | | UNITS PER ASM. | USABLE ON CODE |
|--------------------------|-------------|---|---|---|---|----------------------|----------------------|
| | | 1 | 2 | 3 | 4 | | |
| | | TOP COVER FRAME ASSEMBLY -CONT | | | | | |
| * - 53 | 2180966 | • BAR ASSEMBLY,TORSION-RIGHT HAND | | | | 1 | 3 |
| * - 53 | 2181086 | • BAR,TORSION-RIGHT HAND | | | | 1 | 4 |
| * - 54 | 2180967 | • BAR ASSEMBLY,TORSION-LEFT HAND | | | | 1 | 3 |
| * 2 - 54 | 2181087 | • BAR,TORSION-LEFT HAND | | | | 1 | 4 |
| * - 55 | 2181005 | • SCREW, SELF TAPPING, 6-32 X .375 LG. | | | | 6 | |
| * - 56 | 2181008 | • SCREW, SELF TAPPING, 8-32 X .375 LG. | | | | 6 | |
| * - 57 | 2181011 | • SCREW, SELF TAPPING, 6-32 X .50 LG. | | | | 2 | |
| * - 58 | 2181012 | • SCREW, SELF TAPPING, 8-32 X .437 LG. | | | | 2 | |
| * - 59 | 2181021 | • SCREW, SECTOR BLOCK LEVER | | | | 1 | 2 |
| * - 59A | 2181314 | • SHIM,CE COVER HINGE | | | | AR | 9 |
| * - 60 | 5350006 | • SCREW, SELF TAPPING, 6-32 X .250 LONG | | | | 2 | |
| * - 61 | 5350012 | • SCREW, SELF TAPPING, 8-32 X .250 LONG | | | | 2 | |
| * - 62 | 2162679 | • LABEL,INSTRUCTION,PACK LOADING-ENGLISH USED ON 60 CYCLE FINAL ASSEMBLY FEATURE ONLY P/N 2180500 | | | | | 5 |
| * - 62 | 2162679 | • LABEL,INSTRUCTION,PACK LOADING-ENGLISH USED ON LANGUAGE GROUP ENGLISH FEATURE ONLY P/N 2180861 | | | | 1 | 5 |
| * - 62 | 4061678 | • LABEL,INSTRUCTION,PACK LOADING-FRENCH USED ON LANGUAGE GROUP FRENCH FEATURE ONLY P/N 2180862 | | | | 1 | 5 |
| * - 62 | 4061679 | • LABEL,INSTRUCTION,PACK LOADING-GERMAN USED ON LANGUAGE GROUP GERMAN FEATURE ONLY P/N 2180863 | | | | 1 | 5 |

FOR PARTS
NOT SHOWN
SEE FIG. 1

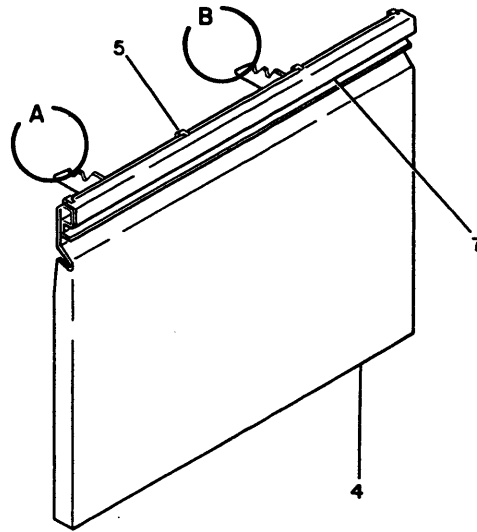
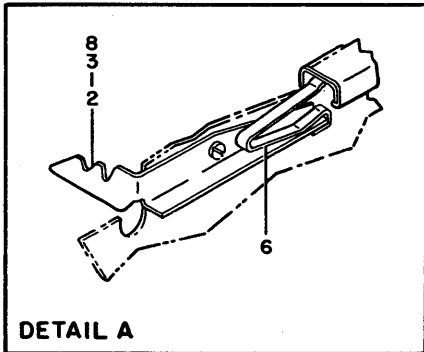
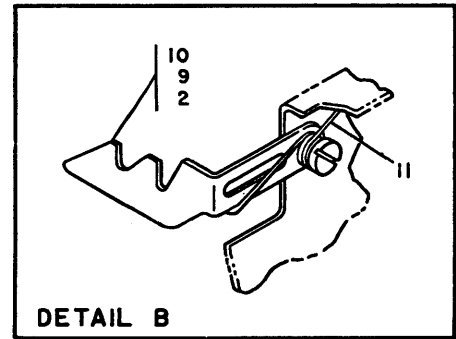


FIGURE 2A. FRONT AND REAR COVER ASSEMBLIES. SEE LIST 2A.

| 2A- | | FRONT AND REAR COVER ASSEMBLIES | |
|-----|--------------|--|-------|
| | | CODE A USED ON DOMESTIC FRONT COVERS CODE B USED ON DOMESTIC REAR COVERS CODE C USED ON WORLD TRADE FRONT COVERS CODE D USED ON WORLD TRADE REAR COVERS | |
| - | 2180894 | FRONT COVER ASSEMBLY-DOMESTIC SEE LIST 1- 92 FOR NEXT HIGHER ASM. AND FIGURE 2A FOR ILLUSTRATION | REF A |
| - | 2180895 | REAR COVER ASSEMBLY-DOMESTIC SEE LIST 1- 92A FOR NEXT HIGHER ASM. AND FIGURE 2A FOR ILLUSTRATION | REF B |
| - | 2181024 | FRONT COVER ASSEMBLY-WORLD TRADE SEE LIST 1- 92 FOR NEXT HIGHER ASM. AND FIGURE 2A FOR ILLUSTRATION | REF C |
| - | 2181027 | REAR COVER ASSEMBLY-WORLD TRADE SEE LIST 1- 92A FOR NEXT HIGHER ASM. AND FIGURE 2A FOR ILLUSTRATION | REF D |
| - | 1 45690 | . WASHER, FL - NO.10 X 7/16 OD X 1/32 THK | 2 |
| - | 2 125930 | . NUT,PLAIN HEX 10/32 | 2 |
| - | 3 332620 | . SCREW,MACH-BIND HD 10-32 X 1/2 LG | 2 A |
| - | 3 332620 | . SCREW,MACH-BIND HD 10-32 X 1/2 LG | 2 B |
| - | 3 332620 | . SCREW,MACH-BIND HD 10-32 X 1/2 LG | 1 C |
| - | 3 332620 | . SCREW,MACH-BIND HD 10-32 X 1/2 LG | 1 D |
| - | 4 2180896 | . COVER, FRONT | 1 A |
| - | 4 2180897 | . COVER, REAR | 1 B |
| - | 4 2180896 | . COVER, FRONT | 1 C |
| - | 4 2180897 | . COVER, REAR | 1 D |
| - | 5 2180962 | . CLIP, COVER TRIM | 4 |
| - | 6 2180963 | . SPRING, LATCH | 2 A |
| - | 6 2180963 | . SPRING, LATCH | 2 B |
| - | 6 2180963 | . SPRING, LATCH | 1 C |
| - | 6 2180963 | . SPRING, LATCH | 1 D |
| - | 7 2180964 | . TRIM, COVER | 1 |
| - | 8 2180965 | . LEVER, COVER | 2 A |
| - | 8 2180965 | . LEVER, COVER | 2 B |
| - | 8 2180965 | . LEVER, COVER | 1 C |
| - | 8 2180965 | . LEVER, COVER | 1 D |
| - | 9 55918 | . SCREW,MACH-BIND HD 10-32 X 5/8 LG | 1 C |
| - | 9 55918 | . SCREW,MACH-BIND HD 10-32 X 5/8 LG | 1 D |
| * | - 10 2181028 | . LATCH,COVER-TOOL OPERATED | 1 C |
| * | - 10 2181028 | . LATCH,COVER-TOOL OPERATED | 1 D |
| * | - 11 2181029 | . SPRING,TORSION-COVER LATCH | 1 C |
| * | - 11 2181029 | . SPRING,TORSION-COVER LATCH | 1 D |

FOR PARTS
NOT SHOWN
SEE FIG. 1

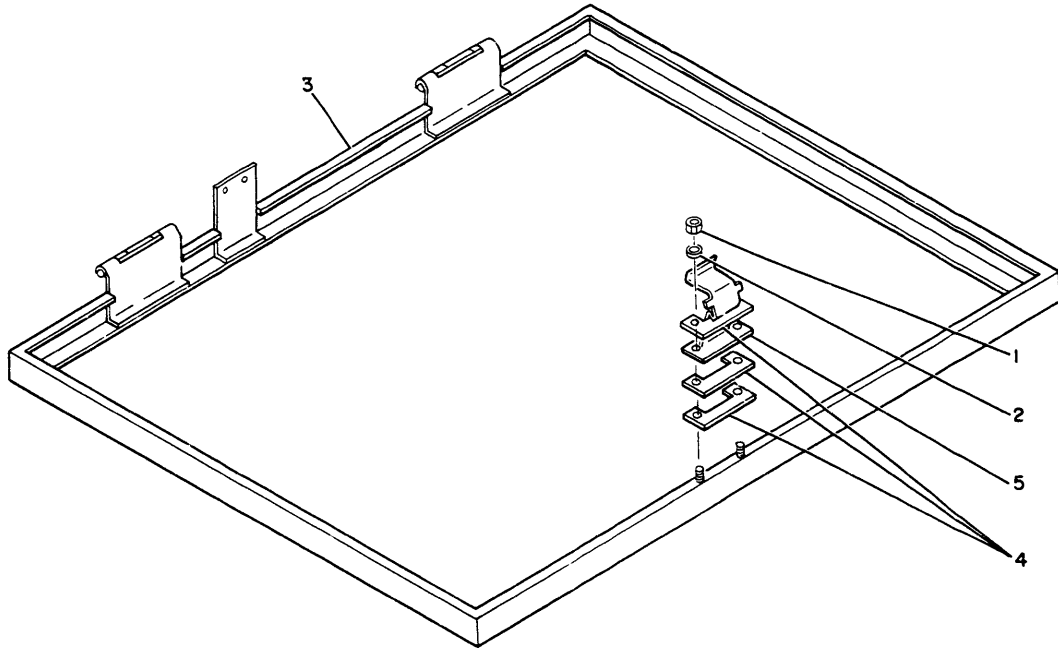


FIGURE 3. TOP COVER SKIRT ASSEMBLY. SEE LIST 3.

| LIST AND INDEX NO. | PART NO. | 1 2 3 4 | DESCRIPTION | UNITS PER ASM. | USABLE ON CODE |
|--------------------|------------|---------|---|----------------|----------------|
| | | | TOP COVER SKIRT ASSEMBLY | | |
| * 3 - | | | CODE 1 USED ON ASM PRIOR TO B6 SUFFIX | | |
| * - | 2157620 | | SKIRT ASSEMBLY, TOP COVER SEE LIST 1- 34 FOR NEXT HIGHER ASM. AND FIGURE 3 FOR ILLUSTRATION | REF | |
| * - | 1 257189 | | . NUT, HEX., 8-32 X 0.3438 W | 2 | |
| * - | 2 1090873 | | . WASHER, LOCK, 0.168 ID X 0.296 OD | 2 | |
| * - | 3 2157615 | | . SKIRT, TOP COVER | 1 | |
| * - | 3A 216472 | | . RESISTOR | 2 | |
| * - | 4 2162793 | | . CLAMP PLATE, SPRING | 2 | |
| * - | 4A 2162793 | | . CLAMP PLATE, SPRING | 1 | 1 |
| * - | 5 2162807 | | . LATCH CENTER COVER | 1 | |

FOR PARTS
NOT SHOWN
SEE FIG. 1

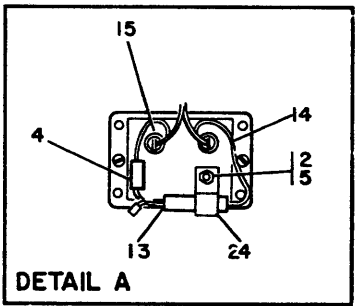
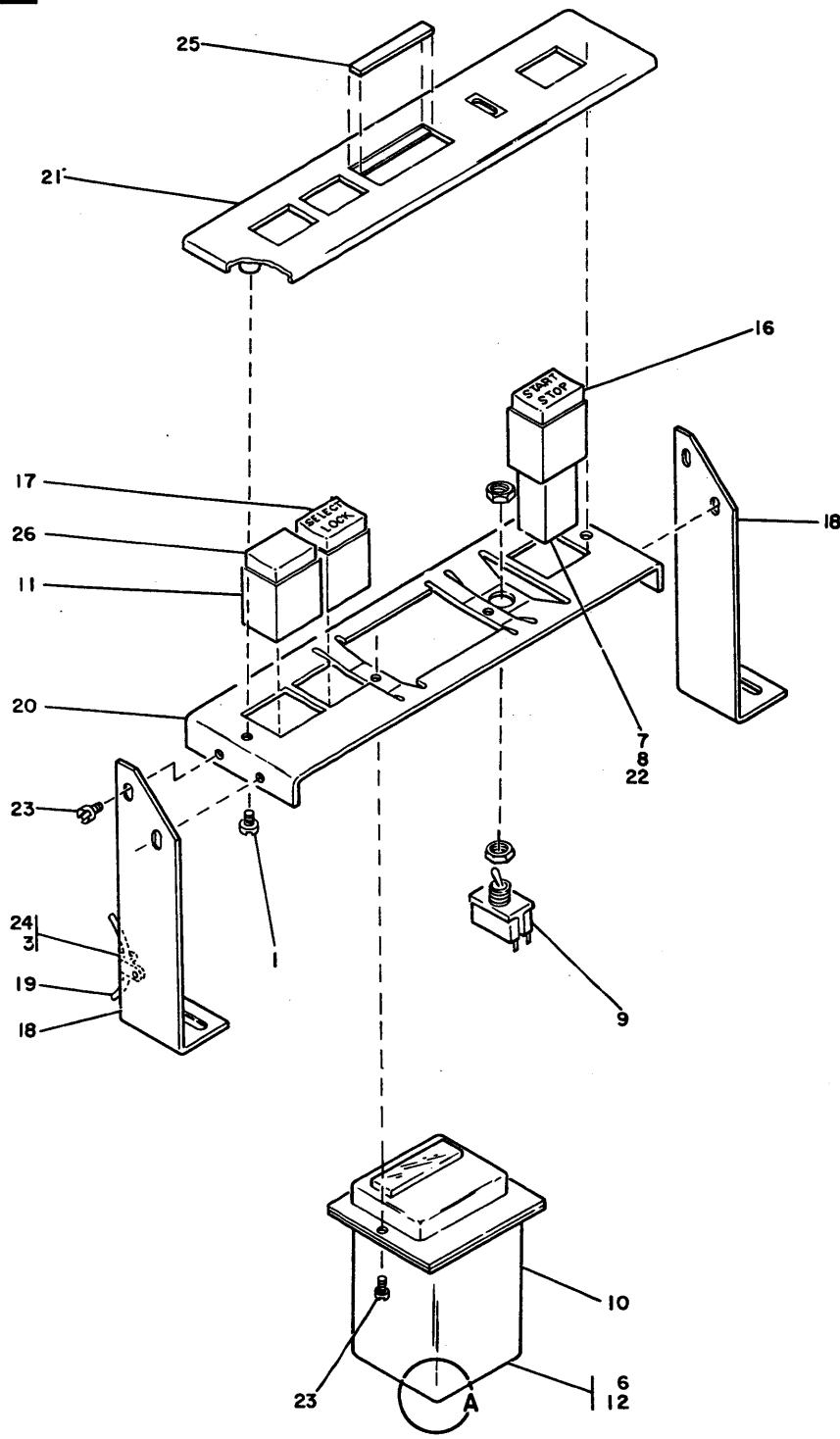


FIGURE 4. CONSOLE SWITCH ASSEMBLY. SEE LIST 4.

| LIST AND INDEX NO. | PART NO. | DESCRIPTION | UNITS PER ASM. | | | | USABLE ON CODE |
|--------------------|----------|---|----------------|---|-----|---|----------------|
| | | | 1 | 2 | 3 | 4 | |
| | | CONSOLE SWITCH ASSEMBLY | | | | | |
| * 4 - | | CODE A USED ON 60 CYCLE MACHINES - PRIOR TO L5 SUFFIX | | | | | |
| * - | | CODE B USED ON 50 CYCLE MACHINES - PRIOR TO L5 SUFFIX | | | | | |
| * - | | CODE I USED ON ASM PRIOR TO G5 SUFFIX | | | | | |
| * - | 2180918 | SWITCH ASSEMBLY, CONSOLE, 60 CYCLE SEE LIST 1- 81 FOR NEXT HIGHER ASM. AND FIGURE 4 FOR ILLUSTRATION | | | REF | A | |
| * - | 2180919 | SWITCH ASSEMBLY, CONSOLE, 50 CYCLE SEE LIST 1- 81 FOR NEXT HIGHER ASM. AND FIGURE 4 FOR ILLUSTRATION | | | REF | B | |
| - 1 | 38235 | . SCREW, MACH-FIL H 6-32 X 5/16 LG | | | 2 | | |
| - 2 | 55901 | . LOCKWASHER, EXTERNAL TOOTH | | | 1 | 1 | |
| - 3 | 58207 | . SCREW, MACH BNDG HD 8-32 X 1/4 L5 | | | 1 | | |
| - 4 | 213536 | . RESISTOR, FXD, COMP- 100 OHMS P/M 5% 1/2W | | | 1 | | |
| - 5 | 257187 | . NUT, HEX DCUBLE CHAMFERED 6-36 X 5/16 | | | 1 | | |
| - 6 | 320610 | . RESISTOR, FXD, COMP, 180 OHM P/M 5% 2W | | | 3 | | |
| - 7 | 473629 | . HOUSING, LAMP | | | 1 | | |
| - 8 | 719552 | . SWITCH, ALTERNATE ACTION | | | 1 | | |
| - 9 | 738826 | . SWITCH, TOGGLE | | | 1 | | |
| - 10 | 740503 | . CLOCK, 60 CYCLE | | | 1 | A | |
| - 10 | 740608 | . CLOCK, 50 CYCLE | | | 1 | B | |
| - 11 | 760521 | . HOUSING, LIGHT, MICROSWITCH | | | 2 | | |
| - 12 | 2101569 | . TUBING, INSULATING-BULK | | | AR | | |
| - 13 | 2102374 | . CAPACITOR, PAPER, 1.0 MFD P30/M20% 200V | | | 1 | | |
| - 14 | 2103416 | . TUBING, INSULATING | | | AR | | |
| - 15 | 2119605 | . TUBING | | | AR | | |
| - 16 | 2154545 | . LENS, START STOP, ENGLISH | | | 1 | | |
| - 16 | 4061423 | . LENS, START STOP, FRENCH | | | 1 | B | |
| - 17 | 2157359 | . BUTTON, SELECT LOCK, ENGLISH | | | 1 | | |
| - 17 | 4061426 | . BUTTON, SELECT LOCK, GERMAN | | | 1 | B | |
| - 17 | 4061427 | . BUTTON, SELECT LOCK, FRENCH | | | 1 | B | |
| - 18 | 2157602 | . BRACKET, SWITCH MOUNTING | | | 2 | | |
| - 19 | 2180684 | . CABLE ASSEMBLY, PANEL TO SWITCHES SEE LIST 19-5, 6D, 7A, 8, 17B, 37, 37A, 57 AND 78 FOR COMPONENT PARTS | | | 1 | | |
| - 20 | 2130920 | . BRACKET, SWITCH AND METER | | | 1 | | |
| - 21 | 2180921 | . FACE PLATE, SWITCH PANEL | | | 1 | | |
| - 22 | 2414924 | . LAMP, INDICATOR, INCANDESCENT | | | 6 | | |
| - 23 | 5319854 | . SCREW, SELF TAPPING, 8-32 X .375 LONG | | | 6 | | |
| - 24 | NO NO. | . CABLE CLAMP, SEE LIST 19-1 | | | AR | | |
| - 25 | 740490 | DECAL SEE LIST 1- 27 FOR NEXT HIGHER ASM. | | | REF | | |
| - 26 | 2154534 | BUTTON, NUMBER 0 | | | REF | | |
| - 26 | 2154540 | BUTTON, NUMBER 1 | | | REF | | |
| - 26 | 2154541 | BUTTON, NUMBER 2 | | | REF | | |
| - 26 | 2154542 | BUTTON, NUMBER 3 | | | REF | | |
| - 26 | 2154543 | BUTTON, NUMBER 4 | | | REF | | |
| - 26 | 2162847 | BUTTON, NUMBER 6 | | | REF | | |
| - 26 | 2162848 | BUTTON, NUMBER 8 | | | REF | | |
| - 26 | 2180781 | BUTTON, NUMBER 5 | | | REF | | |
| - 26 | 2180782 | BUTTON, NUMBER 7 SEE LIST 1- 33 FOR NEXT HIGHER ASM. | | | REF | | |

FOR PARTS
NOT SHOWN
SEE FIG. 1

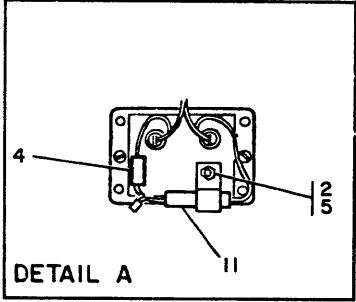
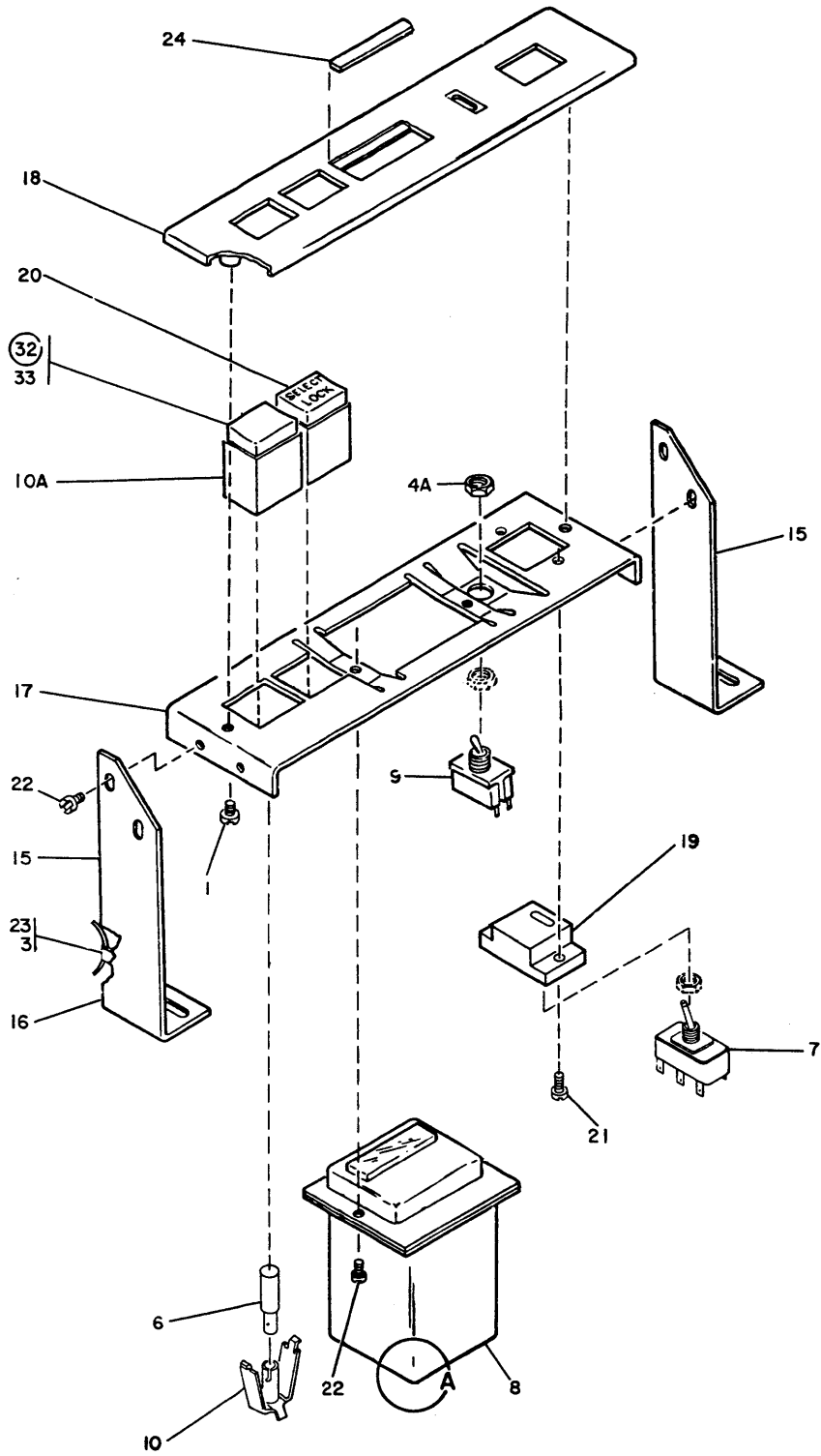


FIGURE 4A. CONSOLE SWITCH ASSEMBLY. SEE LIST 4A.

| LIST AND INDEX NO. | PART NO. | DESCRIPTION | UNITS PER ASM. | USABLE ON CODE |
|--------------------|----------|--|----------------|----------------|
| | | 1 2 3 4 | | |
| | | CONSOLE SWITCH ASSEMBLY | | |
| * 4A- | | CODE A USED ON 60 CYCLE MACHINES - FROM L5 SUFFIX TO CURRENT | | |
| * | | CODE B USED ON 50 CYCLE MACHINES - FROM L5 SUFFIX TO CURRENT | | |
| * | | CODE C USED ON 50 CYCLE LANGUAGE GROUP - ENGLISH FEATURE ONLY P/N 2180861 | | |
| * | | CODE D USED ON 50 CYCLE LANGUAGE GROUP - FRENCH FEATURE ONLY P/N 218062 | | |
| * | | CODE E USED ON 50 CYCLE LANGUAGE GROUP - GERMAN FEATURE ONLY P/N 2180863 | | |
| * | | CODE 1 USED ON ASM FROM L5 TO P5 SUFFIX | | |
| * | | CODE 2 USED ON ASM FROM L5 TO S5 SUFFIX | | |
| * | | CODE 3 USED ON ASM FROM P5 TO C6 SUFFIX | | |
| * | | CODE 4 USED ON ASM FROM S5 TO CURRENT | | |
| * | | CODE 5 USED ON ASM FROM C6 TO CURRENT | | |
| * | | CODE 6 USED ON ASM PRIOR TO P6 SUFFIX | | |
| * | | CODE 7 USED ON ASM FROM P6 TO CURRENT | | |
| * | | - | | |
| * - | 2180918 | SWITCH ASSEMBLY, CONSOLE, 60 CYCLE SEE LIST 1- 81 FOR NEXT HIGHER ASM. AND FIGURE 4A FOR ILLUSTRATION | REF | A |
| * - | 2180919 | SWITCH ASSEMBLY, CONSOLE, 50 CYCLE SEE LIST 1- 81 FOR NEXT HIGHER ASM. AND FIGURE 4A FOR ILLUSTRATION | REF | B |
| | 1 38235 | . SCREW, MACH-FIL H 6-32 X 5/16 LG | 2 | |
| - 2 | 55901 | . LOCKWASHER, EXTERNAL TOOTH | 1 | 1 |
| - 3 | 58207 | . SCREW, MACH BNDG HD 8-32 X 1/4 LG | 1 | |
| - 4 | 213536 | . RESISTOR, FXD, COMP- 100 OHMS P/M 5% 1/2W | 1 | |
| * - 4A | 220546 | . NUT, PLAIN, HEX- 15/32-32 X 5/8 FL W | 1 | 5 |
| * - 5 | 257189 | . NUT - HEX-8-32UNC THD | 1 | 3 |
| * - 6 | 316455 | . LAMP, BAYONET BASE, 35V, .05 AMP | 1 | 6 |
| * - 6 | 5362163 | . LAMP, INDICATOR -48VDC-.060 AMPS-BAYONET | 1 | 7 |
| * - 7 | 734879 | . SWITCH, TOGGLE, DPDT, | 1 | 2A |
| * - 7 | 725347 | . SWITCH, TOGGLE-SPDT | 1 | 4A |
| * - 7 | 734879 | . SWITCH, TOGGLE, DPDT, | REF | 1 |
| * - 7 | 725347 | . SWITCH, TOGGLE-SPDT USED ON 50 CYCLE FINAL ASSEMBLY FEATURE ONLY P/N 2180850 SEE LIST 1- 26A FOR NEXT HIGHER ASM. | REF | 3 |
| * - 7 | 725347 | . SWITCH, TOGGLE-SPDT | 1 | 5B |
| - 8 | 740503 | . CLOCK, 60 CYCLE | 1 | A |
| - 8 | 740608 | . CLOCK, 50 CYCLE | 1 | B |
| - 9 | 741349 | . SWITCH, TOGGLE | 1 | |
| - 10 | 827840 | . SOCKET, SINGLE CONTACT, BAYONET BASE | 2 | |
| * - 10A | 827841 | . HOUSING-SWITCH AND LIGHT | 2 | 2 |
| - 11 | 2102374 | . CAPACITOR, PAPER, 1.0 MFD P30/M20% 200V INDEXES 12 THRU 14 DELETED | 1 | |
| - 15 | 2157602 | . BRACKET, SWITCH MOUNTING | 2 | |
| - 16 | 2180684 | . CABLE ASSEMBLY, PANEL TO SWITCHES SEE LIST 19-5, 6D, 7A, 8, 17B, 37, 37A, 57 AND 78 FOR COMPONENT PARTS | 1 | |
| - 17 | 2180920 | . BRACKET, SWITCH AND METER | 1 | |
| * - 18 | 2180921 | . FACE PLATE, SWITCH PANEL | 1 | A |
| * - 18 | 2180921 | . FACE PLATE, SWITCH PANEL | 1 | C |
| * - 18 | 2181249 | . FACE PLATE, SWITCH PANEL-FRENCH | 1 | D |
| * - 18 | 2181250 | . FACE PLATE, SWITCH PANEL-GERMAN | 1 | E |
| * - 19 | 2180938 | . HOUSING, SWITCH, START-STOP, ENGLISH | 1 | A |
| * - 19 | 2180938 | . HOUSING, SWITCH, START-STOP, FRENCH | 1 | C |
| * - 19 | 2180939 | . HOUSING, SWITCH, START-STOP, GERMAN | 1 | D |
| * - 19 | 2180938 | . HOUSING, SWITCH, START-STOP, ENGLISH | 1 | E |
| * - 20 | 2180948 | . LENS, SELECT LOCK, ENGLISH | 1 | A |
| * - 20 | 2180948 | . LENS, SELECT LOCK, ENGLISH | 1 | C |
| * - 20 | 2180950 | . LENS, SELECT LOCK, FRENCH | 1 | D |
| * - 20 | 2180949 | . LENS, SELECT LOCK, GERMAN | 1 | E |
| - 21 | 2181012 | . SCREW, SELF TAPPING, 8-32 X .437 LG. | 2 | A |
| - 22 | 5319854 | . SCREW, SELF TAPPING, 8-32 X .375 LONG | 6 | |
| - 23 | NO NO. | . CABLE CLAMP, SEE LIST 19-1 | AR | |
| * - 24 | 740490 | DECAL SEE LIST 1- 27 FOR NEXT HIGHER ASM. INDEXES 25 THRU 31 DELETED | REF | |

| LIST AND INDEX NO. | PART NO. | DESCRIPTION | | | | UNITS PER ASM. | USABLE ON CODE |
|-------------------------------|-------------|--|---|---|---|----------------------|----------------------|
| | | 1 | 2 | 3 | 4 | | |
| CONSOLE SWITCH ASSEMBLY -CONT | | | | | | | |
| 4A- 32 | 2133900 | BUTTON, IDENTIFICATION-DRIVE NO. 0 | | | | REF | |
| - 32 | 2133901 | BUTTON, IDENTIFICATION-DRIVE NO. 1 | | | | REF | |
| - 32 | 2133902 | BUTTON, IDENTIFICATION-DRIVE NO. 2 | | | | REF | |
| - 32 | 2133903 | BUTTON, IDENTIFICATION-DRIVE NO. 3 | | | | REF | |
| - 32 | 2133904 | BUTTON, IDENTIFICATION-DRIVE NO. 4 | | | | REF | |
| - 32 | 2133905 | BUTTON, IDENTIFICATION-DRIVE NO. 5 | | | | REF | |
| - 32 | 2133906 | BUTTON, IDENTIFICATION-DRIVE NO. 6 | | | | REF | |
| - 32 | 2133907 | BUTTON, IDENTIFICATION-DRIVE NO. 7 | | | | REF | |
| - 33 | 2180940 | . LENS, NUMBER 0 USED ON SELECTIVE BUTTON FEATURE 2133900 | | | | 1 | |
| - 33 | 2180941 | . LENS, NUMBER 1 USED ON SELECTIVE BUTTON FEATURE 2133901 | | | | 1 | |
| - 33 | 2180942 | . LENS, NUMBER 2 USED ON SELECTIVE BUTTON FEATURE 2133902 | | | | 1 | |
| - 33 | 2180943 | . LENS, NUMBER 3 USED ON SELECTIVE BUTTON FEATURE 2133903 | | | | 1 | |
| - 33 | 2180944 | . LENS, NUMBER 4 USED ON SELECTIVE BUTTON FEATURE 2133904 | | | | 1 | |
| - 33 | 2180945 | . LENS, NUMBER 5 USED ON SELECTIVE BUTTON FEATURE 2133905 | | | | 1 | |
| - 33 | 2180946 | . LENS, NUMBER 6 USED ON SELECTION BUTTON FEATURE 2133906 | | | | 1 | |
| - 33 | 2180947 | . LENS, NUMBER 7 USED ON SELECTIVE BUTTON FEATURE 2133907 | | | | 1 | |

FOR PARTS NOT SHOWN SEE FIG. 1

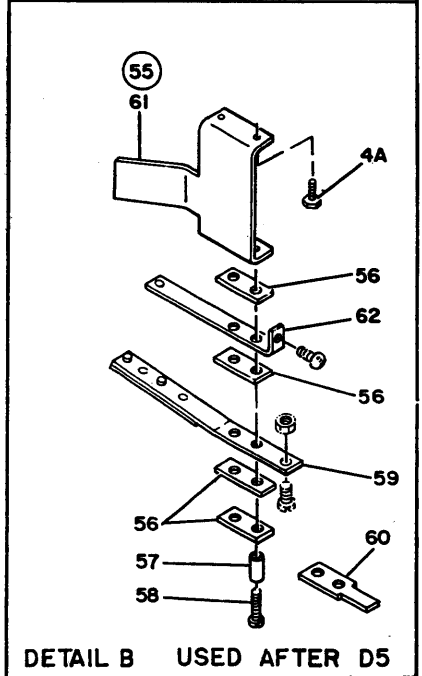
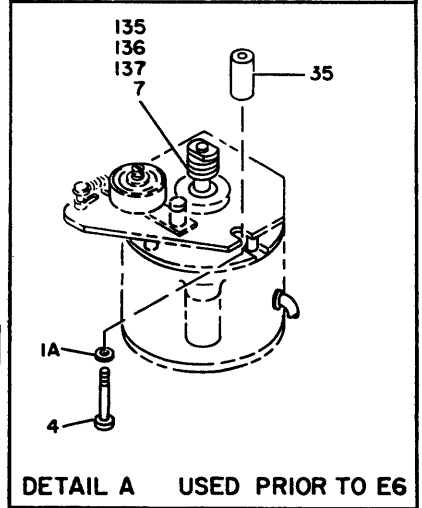
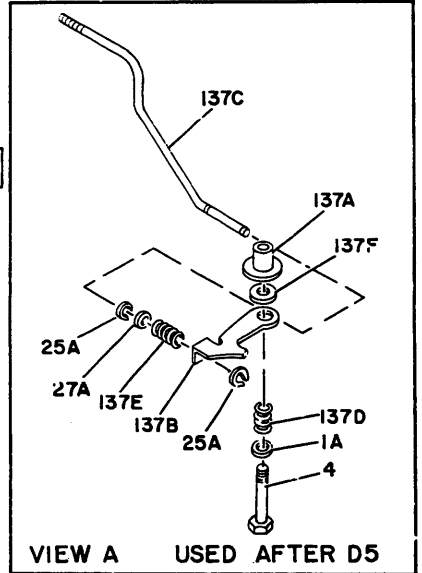
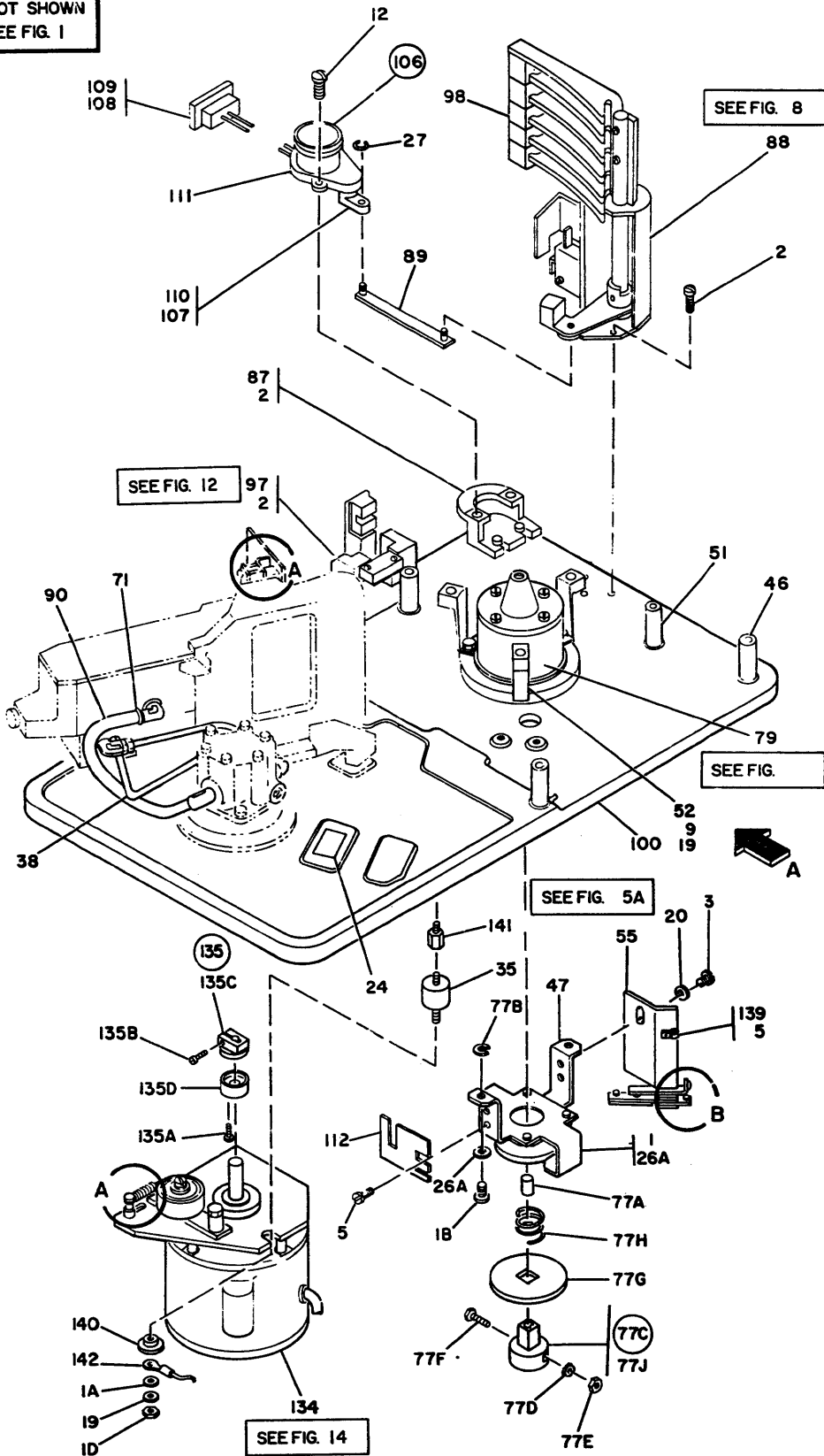


FIGURE 5. DISK STORAGE FILE ASSEMBLY. SHEET 1 OF 3. SEE LIST 5.

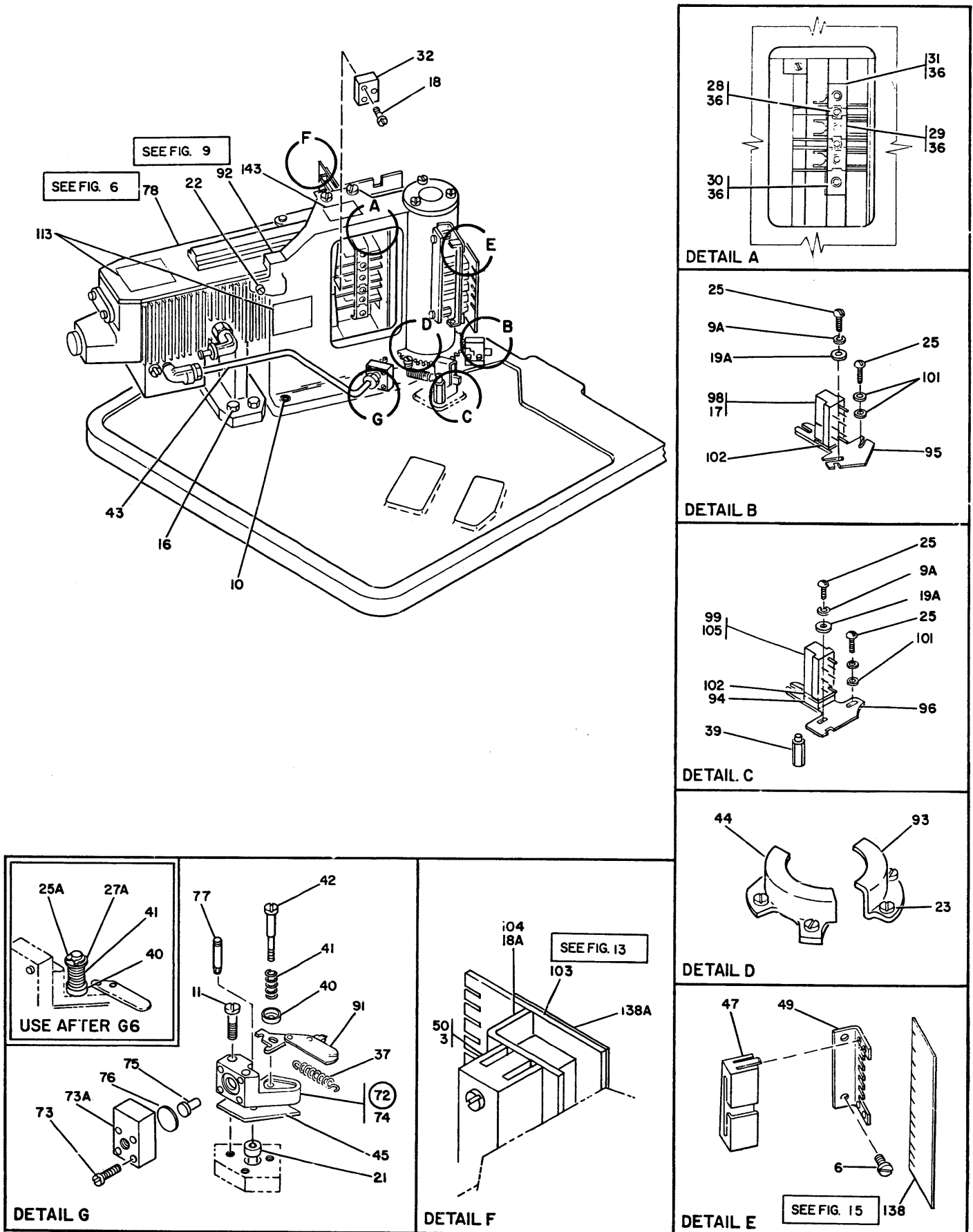


FIGURE 5. DISK STORAGE FILE ASSEMBLY. SHEET 2 OF 3. SEE LIST 5.

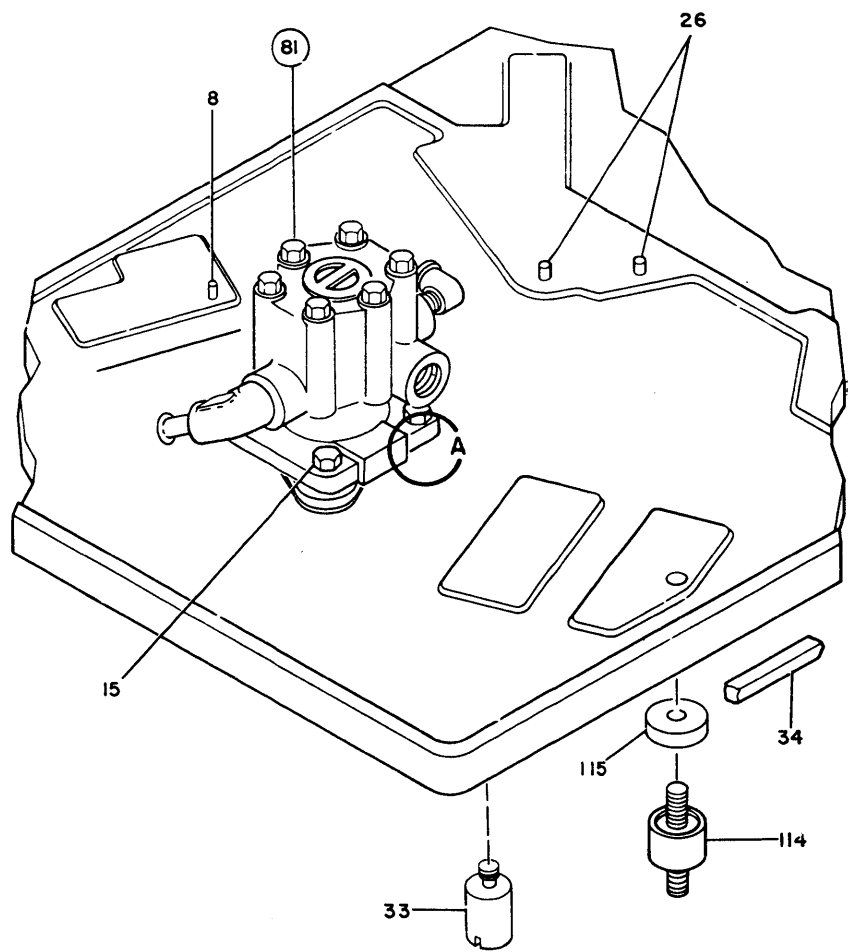
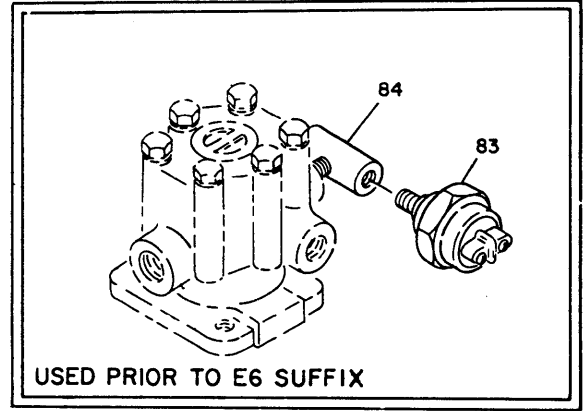
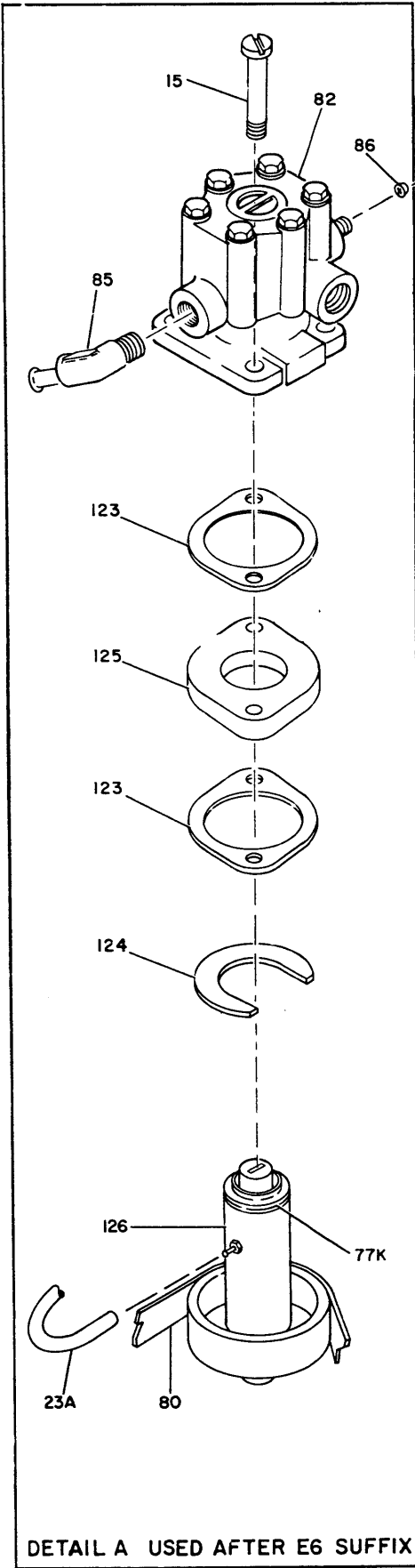


FIGURE 5. DISK STORAGE FILE ASSEMBLY. SHEET 3 OF 3. SEE LIST 5.

| | | DISK STORAGE DRIVE FILE ASSEMBLY | | | |
|-------|---------|--|--|-----|---|
| * 5 - | | CODE A USED ON 60 CYCLE MACHINES | | | |
| * * | | CODE B USED ON 50 CYCLE MACHINES | | | |
| * * | | CODE 1 USED ON ASM PRIOR TO G5 SUFFIX | | | |
| * * | | CODE 2 USED ON ASM FROM G5 TO CURRENT | | | |
| * * | | CODE 3 USED ON ASM FROM G5 TO E6 SUFFIX | | | |
| * * | | CODE 4 USED ON ASM PRIOR TO E6 SUFFIX | | | |
| * * | | CODE 5 USED ON ASM FROM E6 TO CURRENT | | | |
| * * | | CODE 6 USED ON ASM FROM E6 TO B7 SUFFIX | | | |
| * * | | CODE 7 USED ON ASM PRIOR TO B7 SUFFIX | | | |
| * * | | CODE 8 USED ON ASM FROM B7 TO CURRENT | | | |
| * - | 2180400 | FILE ASSEMBLY, 60 CYCLE | | REF | A |
| | | SEE LIST 1- 41 FOR NEXT HIGHER ASM. | | | |
| | | AND FIGURE 5 FOR ILLUSTRATION | | | |
| * - | 2180860 | FILE ASSEMBLY, 50 CYCLE | | REF | B |
| | | SEE LIST 1- 41 FOR NEXT HIGHER ASM. | | | |
| | | AND FIGURE 5 FOR ILLUSTRATION | | | |
| - 1 | 337 | . SCREW,MACH-FIL H 8-32 X 3/8 LG | | 4 | 1 |
| - 1A | 453 | . WASHER,FL- 3/8 X 13/16 OD X 1/16 THK | | 3 | 2 |
| - 1B | 845 | . SCREW,MACH-FIL H 8-32 X 1/2 LG | | 2 | 1 |
| - 1C | 3550 | . WASHER,FL- 1/4 X 9/16 OD X 0.050 THK | | 1 | 2 |
| - 1D | 4564 | . NUT-AIR INTAKE | | 3 | 5 |
| - 2 | 5528 | . SCREW,MACH-BIND. HD 8-32 X 5/8 LG | | 8 | |
| - 3 | 10170 | . SCREW-MACH,BIND HD NO. 6-32 X .250 LG | | 4 | 1 |
| - 3 | 10170 | . SCREW-MACH,BIND HD NO. 6-32 X .250 LG | | 2 | 2 |
| - 4 | 15544 | . SCREW,MACH HEX HD 3/8-16 X 2-1/4 LG | | 3 | 4 |
| - 4A | 19852 | . SCREW,MACH-HEX HD 1/4-20 X 1 1/4 LG | | 1 | 2 |
| - 5 | 38235 | . SCREW MACH 6/32 X .310 LG | | 3 | 1 |
| - 6 | 55726 | . SCREW, MACH-BIND HD NO. 6-32 X 3/16 LG | | 2 | |
| - 7 | 101706 | . SCREW,MACH-HEX HD 10-32 X 3/4 LG | | 1 | 1 |
| - 7 | 129654 | . SCREW,CAP,SOC HD- 10-32 X 3/4 LG | | 1 | 3 |
| - 8 | 104706 | . PIN, DOWEL, 1/4 OD X 1/2 LG | | 1 | |
| - 9 | 122740 | . SCREW,CAP,SOC HD- 5/16-18 X 1 LG | | 3 | |
| - 9A | 150209 | . WASHER,STAR- 0.115, 0.270 M | | 2 | 1 |
| - 10 | 169733 | . SCREW,CAP,SOC HD- 1/4-20 X 0.650 LG | | 3 | |
| - 11 | 2121358 | . SCREW,CAP,SOC HD- 4-40 X 1 LG | | 2 | 1 |
| - 11 | 170185 | . SCREW AND LOCKWASHER, 4-40 X 1 LG | | 2 | 2 |
| - 12 | 170215 | . SCREW AND LOCKWASHER, 6-32 X 3/8 LG | | 2 | |
| | | INDEXES 13 AND 14 DELETED | | | |
| - 14 | 234319 | . SCREW,ASMD WASHER-FIL H 8-32 X 7/16 LG | | 2 | 2 |
| - 15 | 234345 | . SCREW,ASMD WASHER-FIL HD 1/4-20 X 1-1/4 | | 2 | 7 |
| - 15 | 170530 | . SCREW,MACH-SLOT HEX HD 1/4-20 X 1 3/4 LG | | 2 | 8 |
| - 16 | 234349 | . SCREW,ASSEM WASH-HEX HD 5/16-18 X 1 LG | | 3 | |
| - 17 | 236529 | . SCREW,TAP,THD CTG-FLAT CSK HD 3/8 LG | | 2 | |
| - 18 | 236550 | . SCREW,MACH BINDING HD 4-40 X 0.375 LG | | 3 | |
| - 18A | 251970 | . SCREW-MACH BD. HD. 4-40 X 1/4 LG | | 1 | 5 |
| - 19 | 257983 | . WASHER,LOCK-SPLIT 0.319 ID X 0.591 OD | | 3 | 4 |
| - 19 | 257983 | . WASHER,LOCK-SPLIT 0.319 ID X 0.591 OD | | 6 | 5 |
| - 19A | 257985 | . WASHER,FLAT-NO. 4 X 0.250 OD X 0.028 THK | | 2 | 1 |
| - 20 | 257986 | . WASHER,FLAT NO. 6 | | 2 | 1 |
| - 21 | 317464 | . SCREW,CAP,SOC HD- 1/4-20 X 5/8 LG | | 1 | |
| - 22 | 332620 | . SCREW, MACH-BIND HD NO. 10-32 X 1/2 LG | | 1 | |
| - 23 | 338238 | . SCREW, MACHINE-BIND HD, 4-40 X 5/16 LG | | 4 | |
| - 23A | 359044 | . TUBING | | REF | |
| | | SEE LIST 1- 22A FOR NEXT HIGHER ASM. | | | |
| - 24 | 369207 | . LABEL, VOLTAGE | | 1 | |
| - 25 | 438550 | . SCREW,MACH-BIND HD 4-40 X 0.5 LG | | 4 | |
| - 25A | 1073418 | . RING-RETAINING | | 3 | 2 |
| - 26 | 1077739 | . PIN,SPRING | | 3 | |
| - 26A | 1090873 | . WASHER-SPLIT LOCK-NO.8 | | 6 | 1 |
| - 27 | 1092125 | . RING,LOCKING | | 2 | |
| - 27A | 2154149 | . WASHER, SOLENOID SPRING | | 2 | 2 |
| - 28 | 2154201 | . CLAMP, CENTER ARM, SMALL | | 4 | |
| - 29 | 2154202 | . CLAMP, CENTER ARM, LARGE | | 4 | |
| - 30 | 2154238 | . CLAMP ARM | | 2 | |
| - 31 | 2154239 | . CLAMP ARM | | 2 | |
| - 32 | 2154244 | . CLAMP, CARRIAGE DRIVE ROD | | 1 | |
| - 33 | 2154251 | . POST, BELT GUARD, 1.625 LG X 3/4 DIA | | 2 | 1 |
| - 33 | 2154251 | . POST, BELT GUARD, 1.625 LG X 3/4 DIA | | 1 | 2 |
| - 34 | 2154358 | . SEAL, BASE PLATE | | 8 | |
| - 35 | 2154360 | . SPACER, MOTOR PLATE, 1.687 LG X 3/4 DIA | | 3 | 4 |
| - 35 | 2180916 | . MOUNT, SHOCK | | 3 | 5 |
| - 36 | 2154374 | . SCREW,SOCKET HEAD CAP- 4-40 X 0.938 LG | | 12 | |
| - 37 | 2154418 | . SPRING, EXTENSION, DETENT ARM, 1.200 LG | | 1 | 1 |
| - 37 | 2181186 | . SPRING-DETENT ARM | | 1 | 2 |
| - 38 | 2154451 | . TUBE, PRESSURE LINE | | 1 | |
| - 39 | 2154453 | . STUD, DETENT ARM SPRING, 8-32 X 1.03 LG | | 1 | 1 |
| - 39 | 2181209 | . STOP-SPRING | | 1 | 2 |
| - 40 | 2154457 | . WASHER, FLAT, 0.312 DIA | | 1 | |
| - 41 | 2154459 | . SPRING, COMPRESSION, 0.543 LG X 0.218DIA | | 1 | |
| - 42 | 2154461 | . PIVOT, DETENT ARM, 4-40 X 1.26 LG | | 1 | 1 |
| - 43 | 2157307 | . TUBE, DETENT | | 1 | |
| - 44 | 2157340 | . COVER, SLOTTED WHEEL REAR | | 1 | |
| - 45 | 2157354 | . SHIM, DETENT ACTUATOR | | 1 | |
| - 46 | 2160717 | . SUPPORT, DISK SHROUD | | 3 | |
| - 47 | 2160863 | . BRACKET,SPINDLE BRAKE MOUNTING | | 1 | 1 |
| - 48 | 2160867 | . BRAKE, MAGNETIC | | 1 | 1 |
| - 49 | 2160961 | . BRACKET, HEAD CABLE | | 1 | |

| LIST AND INDEX NO. | PART NO. | DESCRIPTION | UNITS PER ASM. | USABLE ON CODE |
|--------------------|----------|---|----------------|----------------|
| | | DISK STORAGE DRIVE FILE ASSEMBLY -CONT | | |
| 5 - 50 | 2160963 | . RETAINER, HEAD CABLE SOCKET | 2 | |
| - 51 | 2162533 | . SUPPORT, PLENUM | 1 | |
| - 52 | 2162535 | . SUPPORT, PLENUM FILTER | 3 | |
| * - 55 | 2162669 | . SWITCH ASM, PACK-IN-PLACE INDEXES 53 AND 54 DELETED | 1 | 1 |
| * - 55 | 2181059 | . SWITCH ASSEMBLY, PACK-IN-PLACE SEE LIST 5A FOR DETAIL BREAKDOWN | 1 | 2 |
| - 56 | 1974 | . . INSULATOR-STOP KEY CONT SPRING SUPPORT | 2 | |
| * - 57 | 186842 | . . INSULATOR-SCR 0.128 ID 0.186 OD 0.520 LG | 2 | 3 |
| * - 58 | 438552 | . . SCREW,MACH-BIND HD 4-40 X 3/4 LG | 2 | 3 |
| * - 59 | 2181044 | . . CONTACT ASSEMBLY, SPRING | 1 | 3 |
| - 60 | 2181046 | . . TERMINAL, SWITCH | 2 | |
| * - 61 | 2181051 | . . BRACKET, SWITCH | 1 | 3 |
| * - 62 | 2181055 | . . STRAP ASSEMBLY, CONTACT INDEXES 63 THRU 70 DELETED | 1 | |
| - 71 | 2162802 | . CLAMP, HOSE | 2 | |
| * - 71 | 4C61518 | . CLAMP,HOSE SUBSTITUTE FOR P/N 2162802 | 2 | |
| - 72 | 2162872 | . DETENT ASSEMBLY, ACTUATOR | 1 | |
| - 73 | 170176 | . . SCREW | 4 | |
| - 73A | 2157308 | . . HEAD, DETENT ACTUATOR | 1 | |
| - 74 | 2154316 | . . HOUSING, ACTUATOR DETENT | 1 | |
| - 75 | 2154317 | . . PLUNGER, DETENT ACTUATOR | 1 | |
| - 76 | 2154318 | . . DIAPHRAGM, DETENT ACTUATOR | 1 | |
| - 77 | 2162774 | . . PIVOT, DETENT ARM | 1 | |
| * - 77A | 2162883 | . SPACER , BRAKE | 1 | 1 |
| * - 77B | 2162884 | . SHIM | 2 | 1 |
| * - 77C | 2162886 | . HUB ASM.-BRAKE | 1 | 1 |
| * - 77D | 62031 | . . WASHER,LOCK-INT TEETH NO. 6 X 0.295 OD | 1 | 1 |
| * - 77E | 257187 | . . MACHINE SCREW HEXAGON | 1 | 1 |
| * - 77F | 322552 | . . SCREW,MACH-BIND HD 6-32 X 7/8 LG | 1 | 1 |
| * - 77G | 2162728 | . . ARMATURE - BRAKE | 1 | 1 |
| * - 77H | 2162878 | . . SPRING , HELICAL COMPRESSION | 1 | |
| * - 77J | 2162885 | . . HUB - BRAKE | 1 | |
| * - 77K | 2173758 | . O-RING- 1.109 ID X 0.139IN. DIA CRS SECT | 1 | 8 |
| * - 78 | 2180410 | . ACTUATOR ASSEMBLY, HYDRAULIC | 1 | 4 |
| * - 78 | 2181274 | . ACTUATOR ASSEMBLY-HYDRAULIC | 1 | 5 |
| * - 78 | 2181274 | . ACTUATOR ASSEMBLY-HYDRAULIC SEE LIST 6 FOR DETAIL BREAKDOWN | 1 | 6 |
| - 79 | 2180420 | . SPINDLE ASM,DISK PACK SEE LIST 7 FOR DETAIL BREAKDOWN | 1 | 1 |
| * - 79 | 2181062 | . SPINDLE ASM, DISK PACK SEE LIST 7 FOR DETAIL BREAKDOWN | 1 | 3 |
| * - 79 | 2218674 | . SPINDLE ASSEMBLY SEE LIST 7 FOR DETAIL BREAKDOWN | 1 | 5 |
| - 80 | 2180439 | . BELT, FLAT DRIVE, 60 CYCLE | 1 | A |
| - 80 | 2180889 | . BELT, FLAT DRIVE, 50 CYCLE | 1 | B |
| * - 81 | 2180472 | . PUMP ASSEMBLY, HYDRAULIC | 1 | |
| - 82 | 2154448 | . . PUMP, HYDRAULIC | 1 | |
| * - 82A | 2154456 | . . ELBCW, BRASS, .438-24 FEMALE, 250-18 MAL | 1 | 5 |
| * - 83 | 2160864 | . . PRESSURE SWITCH ASSEMBLY, N/C | 1 | 1 |
| * - 83 | 2181146 | . . SWITCH,PRESSURE,N/C | 1 | 3 |
| * - 84 | 2160866 | . . TEE, MALE, 1-1/8 LG | 1 | 1 |
| * - 85 | 2180492 | . . ELBCW, BRASS, .25 NPT X 1.38 LONG | 1 | 4 |
| * - 85 | 2181239 | . . FITTING,ELBOW- 90 DEGREE PIPE TO TUBE | 1 | 5 |
| * - 86 | 2181288 | . . VALVE | 1 | 5 |
| * - 86A | 2181289 | . . SPRING,HELICAL COMPRESSION | 1 | 5 |
| - 87 | 2180478 | . MOUNT, BRUSH MOTOR | 1 | |
| - 88 | 2180480 | . PIVOT ASSEMBLY, BRUSH SEE LIST 8 FOR DETAIL BREAKDOWN | 1 | |
| - 89 | 2180486 | . LINK ASSEMBLY, BRUSH ACTUATOR | 1 | |
| * - 90 | 2180491 | . TUBE, .375 ID X 4.125 LONG | 1 | 4 |
| * - 90 | 2181273 | . TUBE-HYDRAULIC | 1 | 5 |
| - 91 | 2180511 | . ARM ASSEMBLY, DETENT | 1 | |
| - 92 | 2180520 | . CARRIAGE AND CARRIAGE HOUSING ASSEMBLY SEE LIST 9 FOR DETAIL BREAKDOWN | 1 | |
| - 93 | 2180521 | . COVER, SLOTTED WHEEL FRONT | 1 | |
| - 94 | 2180522 | . SPACER, DETENT TRANSDUCER | 1 | |
| * - 95 | 2180524 | . PLATE,DETENT TRANSDUCER | 1 | |
| * - 96 | 2180526 | . PLATE,CYLINDER TRANSDUCER | 1 | |
| * - 97 | 2180531 | . SUPPRT-TRANSDUCER ASSEMBLY,INDEX SEE LIST 12 FOR DETAIL BREAKDOWN | 1 | |

| LIST AND INDEX NO. | PART NO. | DESCRIPTION | UNITS PER ASM. | USABLE ON CODE |
|--------------------|----------|---|----------------|----------------|
| | | 1 2 3 4 | | |
| | | DISK STORAGE DRIVE FILE ASSEMBLY -CONT | | |
| * 5 - 98 | 2180611 | . TRANSDUCER ASSEMBLY,CYLINDER | 1 | |
| * - 99 | 2180612 | . TRANSDUCER ASSEMBLY,DETENT | 1 | |
| * -1C0 | 2180624 | . BASEPLATE, FILE | 1 | |
| * -1C1 | 2180702 | . WASHER, SPRING, .126 ID X .394 OD | 4 | 1 |
| * -101 | 2180702 | . WASHER, SPRING, .126 ID X .394 OD | 8 | 2 |
| * -102 | 2180709 | . SHIM, TRANSDUCER | AR | |
| * -103 | 2180749 | . CARD ASSEMBLY, READ PREAMP | 1 | 1 |
| | | SEE LIST 13 FOR DETAIL BREAKDOWN | | |
| * -103 | 2181149 | . CARD ASSEMBLY,READ PREAMP | 1 | 3 |
| | | SEE LIST 13 FOR DETAIL BREAKDOWN | | |
| * -103 | 2244049 | . CARD ASSEMBLY,READ PREAMP | 1 | 5 |
| | | SEE LIST 13 FOR DETAIL BREAKDOWN | | |
| -104 | 2180752 | . POST, HEAD CABLE TERMINAL | 1 | |
| -105 | 2180761 | . SCREW, SELF TAPPING, 4-40 X .625 LONG | 2 | |
| * -106 | 2180762 | . MOTOR ASSEMBLY, BRUSH PIVOT, 60 CYCLE | 1 | A |
| * -106 | 2180868 | . MOTOR ASSEMBLY, BRUSH PIVOT, 50 CYCLE | 1 | B |
| -107 | 257971 | . . SETSCREW,HEADLESS | 1 | |
| -108 | 609687 | . . CONTACT | 2 | |
| -109 | 725558 | . . CONNECTOR | 1 | |
| -110 | 2180487 | . . CRANK, BRUSH MOTOR | 1 | |
| * -111 | 2180497 | . . MOTOR, 1 RPM, 220V, 60 CYCLE | 1 | A |
| * -111 | 5102917 | . . MOTOR ASSEMBLY, 1 RPM, 220V, 50 CYCLE | 1 | 4B |
| * -111 | 2181236 | . . MOTOR-BRUSH ACTUATOR | 1 | 5B |
| * -112 | 2180799 | . GUARD, BELT SPINDLE PULLEY | 1 | 1 |
| * -113 | 2180835 | . LABEL, SOLENOID AND HEAD DESIGNATION | 2 | |
| -114 | 2180916 | . MOUNT, SHOCK | 3 | |
| -115 | 2180917 | . SPACER, SHOCK MOUNT | 3 | |
| -123 | 2180923 | . GASKET, PUMP MOUNTING SPACER | 2 | |
| -124 | 2180924 | . RETAINER, PUMP DRIVE | 1 | |
| * -125 | 2180928 | . SPACER, PUMP MOUNTING | 1 | 7 |
| * -125 | 4100328 | . SPACER,PUMP MOUNTING | 1 | 8 |
| * -126 | 2180930 | . DRIVE ASSEMBLY, HYDRAULIC PUMP | 1 | 4 |
| * -126 | 2181270 | . DRIVE ASSEMBLY,HYDRAULIC PUMP | 1 | 6 |
| * -126 | 2181276 | . DRIVE ASSEMBLY,HYDRAULIC PUMP | 1 | 8 |
| | | PARTS OF THIS ASM ARE NOT REPLACEABLE | | |
| | | INDEXES 127 THRU 133 DELETED | | |
| -134 | 2180986 | . DRIVE ASSEMBLY, MOTOR | 1 | |
| | | SEE LIST 14 FOR DETAIL BREAKDOWN | | |
| * -135 | 2180988 | . PULLEY, MOTOR DRIVE, 60 CYCLE | 1 | 4A |
| * -135 | 2181296 | . PULLEY ASSEMBLY,MOTOR DRIVE,60 CYCLE | 1 | 5A |
| * -135 | 2180864 | . PULLEY, MOTOR DRIVE, 50 CYCLE | 1 | 4B |
| * -135 | 2181295 | . PULLEY ASSEMBLY,MOTOR DRIVE,50 CYCLE | 1 | 5B |
| * -135A | 5528 | . . SCREW,MACH BIND HD 8-32 X .625 LG | 3 | 5 |
| * -135B | 129654 | . . SCREW,CAP,SOC HD- 10-32 X 3/4 LG | 1 | 5 |
| * -135C | 2181283 | . . CLAMP,HUB-MOTOR | 1 | 5 |
| * -135D | 2181286 | . . PULLEY,MOTOR DRIVE,50 CYCLE | 1 | 5A |
| * -135D | 2181285 | . . PULLEY,MOTOR DRIVE,60 CYCLE | 1 | 5B |
| * -136 | 2180989 | . SHIM, PULLEY INSULATOR | 1 | 4 |
| * -137 | 2180990 | . KEY, DRIVE MOTOR | 1 | 4 |
| * -137A | 2181038 | . BUSHING, LATCH BRAKE | 1 | 2 |
| * -137B | 2181040 | . LATCH, SPINDLE | 1 | 2 |
| * -137C | 2181042 | . LINK, CONNECTING | 1 | 2 |
| * -137D | 2181052 | . SPRING, COMPRESSION, .482 X 1.21 LG. | 1 | 2 |
| * -137E | 2181053 | . SPRING, COMPRESSION, .165 X 1.75 LG. | 1 | 2 |
| * -137F | 2181054 | . WASHER, TEFLON, .391 ID X 1.00 OD | 1 | 2 |
| * -138 | 2181067 | . CARD ASSEMBLY, WRITE DRIVER | 1 | 1 |
| | | SEE LIST 15 FOR DETAIL BREAKDOWN | | |
| * -138 | 2181213 | . CARD ASSEMBLY,WRITE DRIVER | 1 | 3 |
| | | SEE LIST 15 FOR DETAIL BREAKDOWN | | |
| * -138 | 2181240 | . CARD ASSEMBLY,WRITE DRIVER | 1 | 5 |
| | | SEE LIST 15 FOR DETAIL BREAKDOWN | | |
| * -139 | 2181233 | . SHIELD,READ FREAMP | 1 | 5 |
| * -140 | 2244042 | . SPACER,SHOCK MOUNT | 3 | 5 |
| * -141 | 2244043 | . SPACER,SHOCK MOUNT ADAPTER | 3 | 5 |
| * -142 | 2244046 | . JUMPER ASSEMBLY,GROUNDING | 1 | 5 |
| | | SEE LIST 19- 3E AND - 3F | | |
| | | FOR COMPONENT PARTS | | |
| * -143 | 2244205 | . DECAL,CYLINDER TRANSDUCER | 1 | 8 |
| * -144 | NO NO. | . CABLE CLAMP, SEE LIST 19-1 | 1 | 1 |

FOR PARTS
NOT SHOWN
SEE FIG. 5

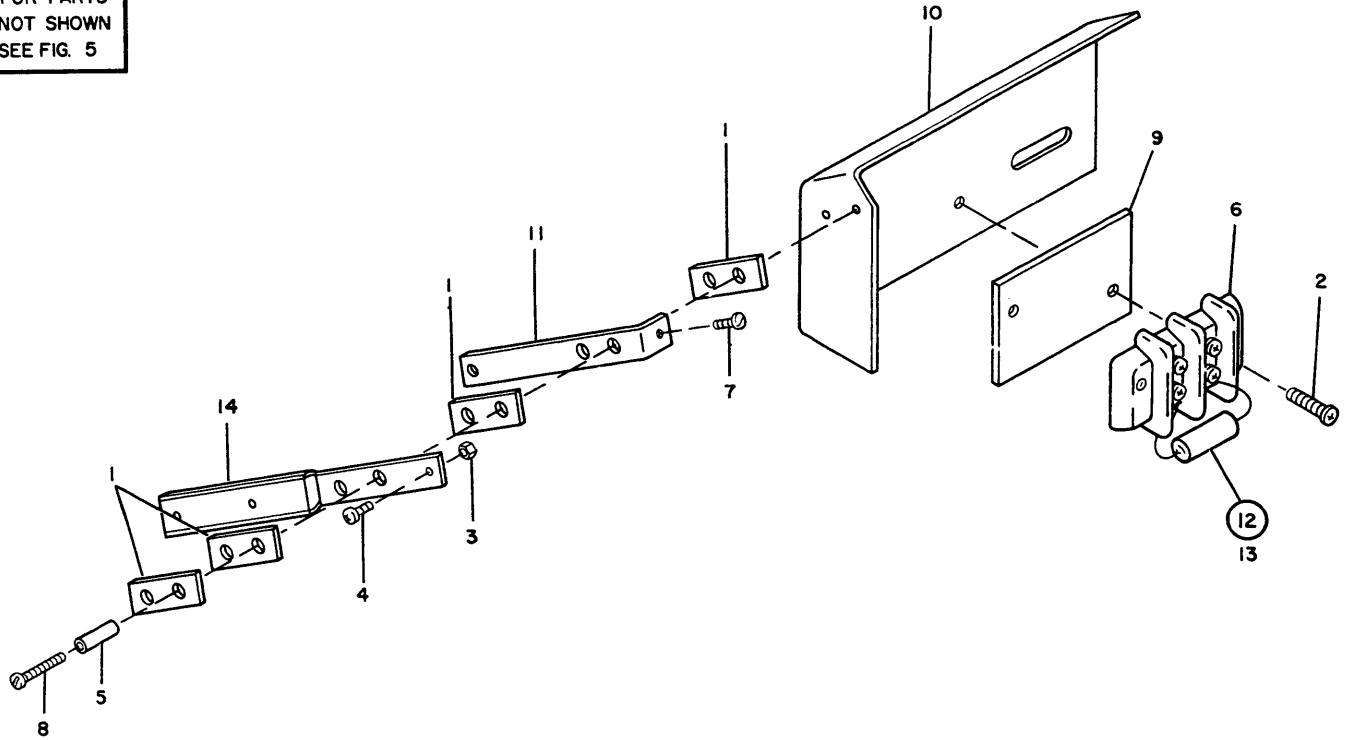


FIGURE 5A. PACK-IN-PLACE SWITCH ASSEMBLY. SEE LIST 5A.

| LIST AND INDEX NO. | PART NO. | DESCRIPTION | | | | UNITS PER ASM. | USABLE ON CODE |
|--------------------|----------|---|---|---|---|----------------|----------------|
| | | 1 | 2 | 3 | 4 | | |
| | | PACK-IN-PLACE SWITCH ASSEMBLY | | | | | |
| 5A- | 2162669 | SWITCH ASM, PACK-IN-PLACE USED ON MACHINES PRIOR TO D5 SUFFIX SEE LIST 5- 55 FOR NEXT HIGHER ASM. AND FIGURE 5A FOR ILLUSTRATION | | | | REF | |
| - 1 | 1974 | • INSULATOR-STOP KEY CONT SPRING SUPPORT | | | | 4 | |
| - 2 | 35739 | • SCREW,MACH-BIND HD 6-32 X 15/16 LG | | | | 2 | |
| - 3 | 37913 | • NUT, HEX 4-40 NC | | | | 1 | |
| - 4 | 170150 | • SCREW,ASSEM WASH-FIL H 4-40 X 1/4 LG | | | | 1 | |
| - 5 | 186842 | • INSULATOR-SCR 0.128 ID 0.186 OD 0.520 LG | | | | 2 | |
| - 6 | 323840 | • TERMINAL BOARD- 2 DBL SCREW TERMINALS | | | | 1 | |
| - 7 | 438548 | • SCREW,MACH-BIND HD 4-40 X 3/16 LG | | | | 1 | |
| - 8 | 438551 | • SCREW,MACH-BIND HD 4-40 X 5/8 LG | | | | 2 | |
| - 9 | 512426 | • INSULATOR,PLATE-TERMINAL STRIP | | | | 1 | |
| - 10 | 2160865 | • BRACKET, SWITCH MOUNTING | | | | 1 | |
| - 11 | 2160901 | • TERMINAL ASSEMBLY, COMMON | | | | 1 | |
| - 12 | 2160917 | • DIODE ASM, SILICON, TYPE AM | | | | 1 | |
| - 13 | 2111232 | • SEMICONDUCTOR DEVICE-DIODE | | | | 1 | |
| - 14 | 2162600 | • CONTACT ASSEMBLY,SPRING | | | | 1 | |

FOR PARTS
NOT SHOWN
SEE FIG. 5

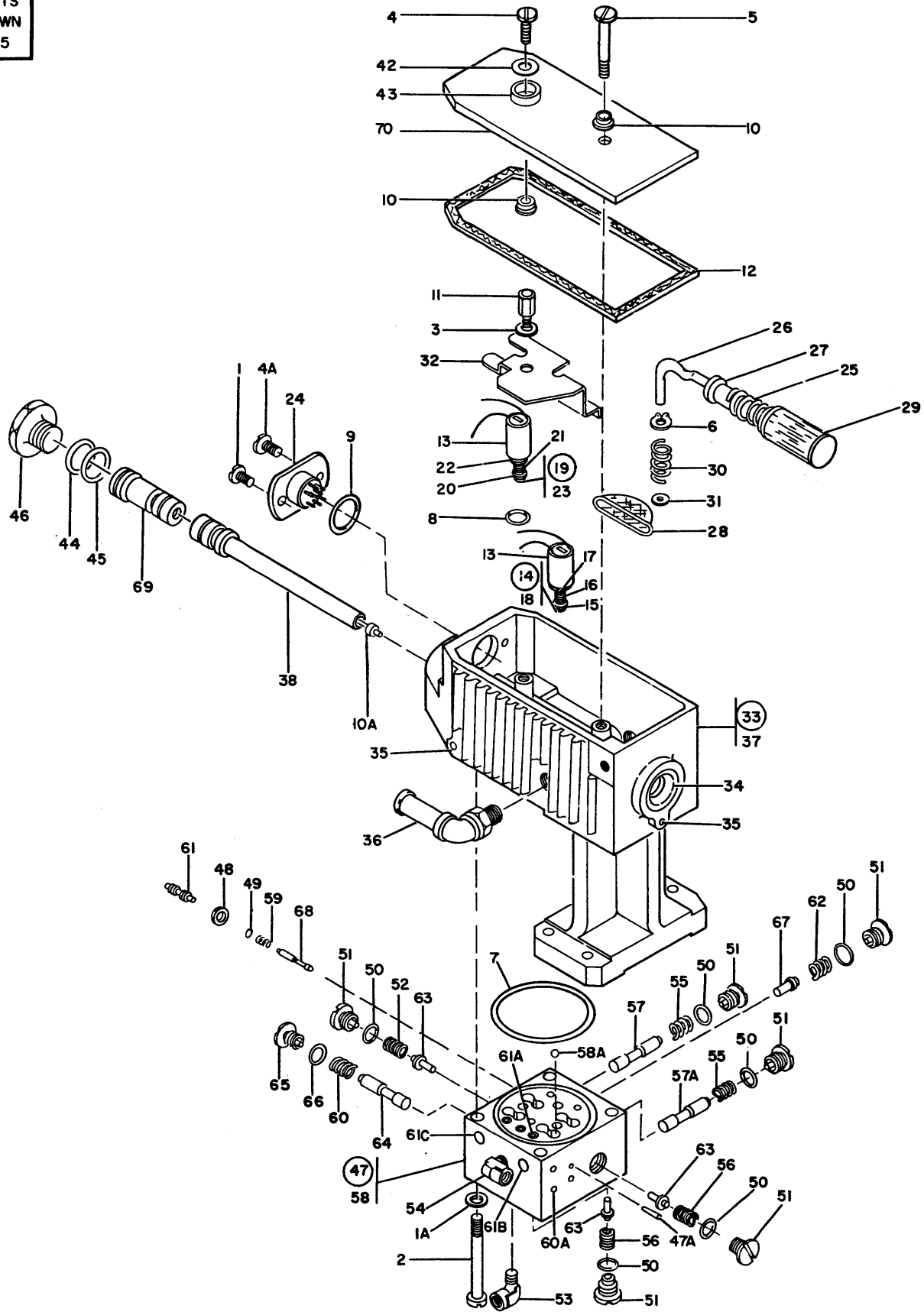


FIGURE 6. HYDRAULIC ACTUATOR ASSEMBLY. SEE LIST 6.

| LIST AND INDEX NO. | PART NO. | DESCRIPTION | | | | UNITS PER ASM. | USABLE ON CODE |
|--------------------|----------|--|---|---|---|----------------|----------------|
| | | 1 | 2 | 3 | 4 | | |
| | | HYDRAULIC ACTUATOR ASSEMBLY | | | | | |
| * 6 - | | CODE 1 USED ON ASM PRIOR TO E5 SUFFIX | | | | | |
| * * | | CODE 2 USED ON ASM FROM E5 TO H5 SUFFIX | | | | | |
| * * | | CODE 3 USED ON ASM FROM E5 TO E6 SUFFIX | | | | | |
| * * | | CODE 4 USED ON ASM FROM E5 TO CURRENT | | | | | |
| * * | | CODE 5 USED ON ASM PRIOR TO H5 SUFFIX | | | | | |
| * * | | CODE 6 USED ON ASM FROM H5 TO CURRENT | | | | | |
| * * | | CODE 7 USED ON ASM FROM E6 TO CURRENT | | | | | |
| * - | 2180410 | ACTUATOR ASSEMBLY, HYDRAULIC | | | | REF | |
| * * | | USED ON MACHINES PRIOR TO E6 SUFFIX | | | | | |
| * * | | SEE LIST 5- 78 FOR NEXT HIGHER ASM. | | | | | |
| * * | | AND FIGURE 6 FOR ILLUSTRATION | | | | | |
| * - | 2181274 | ACTUATOR ASSEMBLY-HYDRAULIC | | | | REF | |
| * * | | USED ON MACHINES FROM E6 TO CURRENT | | | | | |
| * * | | SEE LIST 5- 78 FOR NEXT HIGHER ASM. | | | | | |
| * * | | AND FIGURE 6 FOR ILLUSTRATION | | | | | |
| - 1 | 81693 | . SCREW, MACH-BIND HD NO 6-32 X 3/8 LG | | | | 1 | |
| * - 1A | 9092 | . WASHER-LOCK, SPLIT RING, .194 ID .337OD | | | | 4 | 2 |
| * - 1A | 45690 | . WASHER, FL - NO.10 X 7/16 OD X 1/32 THK | | | | 4 | 6 |
| * - 2 | 322562 | . SCREW, BINDING HEAD 10-32 X 2 IN LONG | | | | 4 | 1 |
| * - 2 | 186934 | . SCREW, CAP-HEX SOCKET, 10-32 X 2.00 IN. LG | | | | 4 | 4 |
| * - 3 | 257986 | . WASHER, FL- NO. 6 X 0.312 OD | | | | 1 | |
| - 4 | 322065 | . SCREW, MACH-BIND HD 6-32 X 5/8 LG | | | | 1 | |
| - 4A | 322550 | . SCREW, MACH-BIND HD NO. 6-32 X 1/2 LG | | | | 1 | |
| - 5 | 438568 | . SCREW, MACHINE BINDING HEAD | | | | 1 | |
| - 6 | 1115633 | . RING, RETAINING | | | | 1 | |
| - 7 | 2121754 | . O RING, 2.309 OD | | | | 1 | |
| - 8 | 2154120 | . O-RING, 0.301 ID | | | | 1 | |
| - 9 | 2154132 | . O-RING, 0.750 ID | | | | 1 | |
| - 10 | 2154138 | . DYNA-SEAL, SUMP COVER | | | | 2 | |
| * - 10A | 2154140 | . BALL CLAMP, CARRIAGE COUPLER | | | | 1 | |
| - 11 | 2154143 | . SCREW, SUMP DEFLECTOR MOUNTING | | | | 1 | |
| - 12 | 2154145 | . GASKET, HYDRAULIC ACTUATOR SUMP COVER | | | | 1 | |
| - 13 | 2154153 | . SOLENOID ASSEMBLY | | | | 5 | |
| - 14 | 2157356 | . PLUNGER ASSEMBLY, FWD, SLOW, DETENT SOL | | | | 4 | 1 |
| * - 14 | 2181076 | . PLUNGER ASM. FWD S/O DETENT SOLENOID | | | | 1 | 2 |
| * - 14 | 2181173 | . PLUNGER ASSEMBLY-SOLENOID | | | | 1 | 6 |
| - 15 | 1073418 | . . RING, RET- 0.094 ID X 0.230 OD | | | | 1 | |
| - 16 | 2154148 | . . SPRING, COMPRESSION, 0.838 LG X 0.160DIA | | | | 1 | |
| * * | | USED ON ASM 2157376 ONLY | | | | | |
| * - 16 | 2181075 | . . SPRING | | | | 1 | |
| * * | | USED ON ASM 2181076 ONLY | | | | | |
| * - 16 | 2181171 | . . SPRING-COMPRESSION, SOLENOID PLUNGER | | | | 1 | |
| * * | | USED ON ASM 2181173 ONLY | | | | | |
| - 17 | 2154149 | . . WASHER, SOLENOID SPRING | | | | 1 | |
| - 18 | 2154150 | . . PLUNGER, FORWARD, SLOW, DETENT SOLENOID | | | | 1 | |
| * * | | USED ON ASM 2157376 AND 2181076 ONLY | | | | | |
| * - 18 | 2181172 | . . PLUNGER-SOLENOID | | | | 1 | |
| * * | | USED ON ASM 2181173 ONLY | | | | | |
| * - 19 | 2157361 | . PLUNGER ASSEMBLY, EXTEND SOLENOID | | | | 1 | 5 |
| * - 19 | 2181216 | . PLUNGER ASSEMBLY-EXTENDER SOLENOID | | | | 1 | 6 |
| - 20 | 1073418 | . . RING, RET- 0.094 ID X 0.230 OD | | | | 1 | |
| * - 21 | 2154147 | . . SPRING, COMPRESSION, 0.350 LG X 0.170DIA | | | | 1 | 3 |
| * * | | USED ON ASM 2157361 ONLY | | | | | |
| * - 21 | 2181217 | . . PLUNGER ASSEMBLY-EXTENDER SOLENOID | | | | 1 | 4 |
| * * | | USED ON ASM 2181216 ONLY | | | | | |
| - 22 | 2154149 | . . WASHER, SOLENOID SPRING | | | | 1 | |
| - 23 | 2154151 | . . PLUNGER, EXTEND SOLENOID | | | | 1 | |
| * - 24 | 2180414 | . BLOCK ASSEMBLY, SOLENOID TERMINAL | | | | 1 | 5 |
| * - 24 | 2154124 | . BLOCK ASSEMBLY, SOLENOID TERMINAL | | | | 1 | 6 |
| - 25 | 2180419 | . SPRING, COMPRESSION, .457 X .700 LONG | | | | 1 | |
| - 26 | 2180424 | . TUBING, HYDRAULIC | | | | 1 | |
| - 27 | 2180429 | . BUSHING, ALUMINUM, .363 X .87 LONG | | | | 1 | |
| - 28 | 2180430 | . SCREEN, SUMP | | | | 1 | |
| - 29 | 2180432 | . ELEMENT, HYDRAULIC OIL FILTER | | | | 1 | |
| - 30 | 2180465 | . SPRING, COMPRESSION, .225 X 1.3 LONG | | | | 1 | |
| - 31 | 2180468 | . VALVE, FILTER PRESSURE RELIEF | | | | 1 | |
| - 32 | 2180763 | . DEFLECTOR, SUMP | | | | 1 | |
| - 33 | 2180765 | . HOUSING ASSEMBLY, HYDRAULIC ACTUATOR | | | | 1 | |
| - 34 | 2121517- | . . SEAL, WIPER, .335 ID X .883 OD | | | | 1 | |
| - 35 | 2180423 | . . BALL, .19685 SPHERICAL DIA. | | | | 4 | |
| * - 36 | 2180431 | . . CONNECTOR, TUBING, .250-18 X 1.81 LONG | | | | 1 | 1 |
| * - 36 | 2154127 | . . CONNECTOR, SUCTION LINE SUMP | | | | 1 | 3 |
| * - 36 | 2181239 | . . FITTING, ELBOW- 90 DEGREE PIPE TO TUBE | | | | 1 | 7 |
| * - 37 | 2180764 | . . HOUSING, HYDRAULIC ACTUATOR | | | | 1 | |

| LIST AND INDEX NO. | PART NO. | DESCRIPTION | | | | UNITS PER ASM. | USABLE ON CODE |
|--------------------|----------|---|---|---|---|----------------|----------------|
| | | 1 | 2 | 3 | 4 | | |
| | | HYDRAULIC ACTUATOR ASSEMBLY -CONT | | | | | |
| 6 - 38 | 2180768 | . ROD ASSEMBLY, CARRIAGE DRIVE PARTS OF THIS ASM ARE NOT REPLACEABLE INDEXES 39 THRU 41 DELETED | | | | 1 | |
| - 42 | 2180769 | . WASHER, SUMP RELIEF | | | | 1 | |
| - 43 | 2180771 | . BREATHER, SUMP RELIEF | | | | 1 | |
| - 44 | 2180772 | . O RING, RUBBER, .644 ID | | | | 1 | |
| - 45 | 2180773 | . PACKING, U-CUP | | | | 1 | |
| - 46 | 2180774 | . CAP, REAR | | | | 1 | |
| - 47 | 2180776 | . BLOCK AND PLUG ASSEMBLY, ACTUATOR | | | | 1 | 5 |
| - 47 | 2181185 | . MANIFOLD ASM-HYDRAULIC ACTUATOR | | | | 1 | 6 |
| - 47A | 4327 | . . PIN,TAPER NO. 5-0 X .562 LG | | | | 1 | |
| - 48 | 257187 | . . NUT,HEX DOUBLE CHAMFERED 6-36 X 5/16 | | | | 1 | |
| - 49 | 357419 | . . O-RING | | | | 1 | |
| - 50 | 2154120 | . . O-RING, 0.301 ID | | | | 6 | |
| - 51 | 2154121 | . . STOP, VALVE SPOOL, LOWER | | | | 6 | |
| - 52 | 2154130 | . . SPRING, COMPRESSION, 0.913 LG X 0.210DIA | | | | 1 | |
| - 53 | 2154133 | . . ELBOW, BRASS, 0.438-24 X 0.55 OD | | | | 1 | |
| - 54 | 2154134 | . . ELBOW, BRASS, 0.375-24 X 0.50 OD | | | | 1 | |
| - 55 | 2154136 | . . SPRING, COMPRESSION, 0.710 LG X 0.218DIA USED ON ASM 2180776 ONLY | | | | 2 | |
| - 55 | 2181182 | . . SPRING-FORWARD USED ON ASM 2181185 ONLY | | | | 2 | |
| - 56 | 2154141 | . . SPRING, COMPRESSION, 0.934 LG X 0.210DIA USED ON ASM 2180776 ONLY | | | | 2 | |
| - 56 | 2154130 | . . SPRING, COMPRESSION, 0.913 LG X 0.210DIA USED ON ASM 2180776 ONLY | | | | 2 | |
| - 57 | 2154146 | . . SPOOL, SLOW, FORWARD VALVE USED ON ASM 2180776 ONLY | | | | 1 | |
| - 57 | 2181177 | . . SPOOL,INTERMEDIATE SPEED USED ON ASM 2181185 ONLY | | | | 1 | |
| - 57A | 2154146 | . . SPOOL, SLOW, FORWARD VALVE USED ON ASM 2180776 ONLY | | | | 1 | 1 |
| - 57A | 2181074 | . . SPOOL,VALVE-FWD REV USED ON ASM 2180776 ONLY | | | | 1 | 4 |
| - 57A | 2181178 | . . SPOOL,VALVE-FWD REV USED ON ASM 2181185 ONLY | | | | 1 | |
| - 58 | 2180413 | . . BLOCK, VALVE | | | | 1 | |
| - 58A | 2180416 | . . BALL-CHECK | | | | 1 | |
| - 59 | 2180417 | . . SPRING, COMPRESSION, .097 X .450 LONG USED ON ASM 2180776 ONLY | | | | 1 | |
| - 59 | 2181184 | . . SPRING-SPOOL USED ON ASM 2181185 ONLY | | | | 1 | |
| - 60 | 2180421 | . . SPRING, COMPRESSION, .178 X 1.00 LONG | | | | 1 | |
| - 60A | 2180423 | . . BALL, .19685 SPHERICAL DIA. | | | | 6 | |
| - 61 | 2180425 | . . SCREW, ADJUSTING | | | | 1 | |
| - 61A | 2180426 | . . INSERT-VALVE | | | | 4 | |
| - 61B | 2180427 | . . SPOOL-VALVE USED ON ASM 2180776 ONLY | | | | 1 | |
| - 61B | 2181175 | . . STOP,VALVE-FORWARD USED ON ASM 2181185 ONLY | | | | 1 | |
| - 61C | 2180427 | . . SPOOL-VALVE USED ON ASM 2180776 ONLY | | | | 1 | |
| - 61C | 2181174 | . . STOP,VALVE-INTRMOTE USED ON ASM 2181185 ONLY | | | | 1 | |
| - 62 | 2180467 | . . SPRING, COMPRESSION, .225 X 1.06 LONG USED ON ASM 2180776 ONLY | | | | 1 | |
| - 62 | 2181183 | . . SPRING-VALVE USED ON ASM 2181185 ONLY | | | | 1 | |
| - 63 | 2180760 | . . VALVE, CHECK | | | | 3 | |
| - 64 | 2180785 | . . VALVE, DUMP SPOOL USED ON ASM 2180776 ONLY | | | | 1 | |
| - 64 | 2181181 | . . VALVE ASSEMBLY-DUMP USED ON ASM 2181185 ONLY | | | | 1 | |
| - 65 | 2180786 | . . STOP, DUMP VALVE SCREW | | | | 1 | |
| - 66 | 2180793 | . . SEAL, RUBBER, .280 ID, .52 OD | | | | 1 | |
| - 67 | 2180925 | . . VALVE, PRESSURE RELIEF USED ON ASM 2180776 ONLY | | | | 1 | |
| - 67 | 2180760 | . . VALVE-CHECK USED ON ASM 2181185 ONLY | | | | 1 | |
| - 68 | 2180932 | . . SPOOL, ORIFICE SIZE-.0102 AND .0210 | | | | 1 | |
| - 69 | 2180777 | . . PISTON, HOME AND EXTENDED | | | | 1 | |
| - 70 | 2180778 | . . COVER, HYDRAULIC ACTUATOR | | | | 1 | |

FOR PARTS
NOT SHOWN
SEE FIG. 5

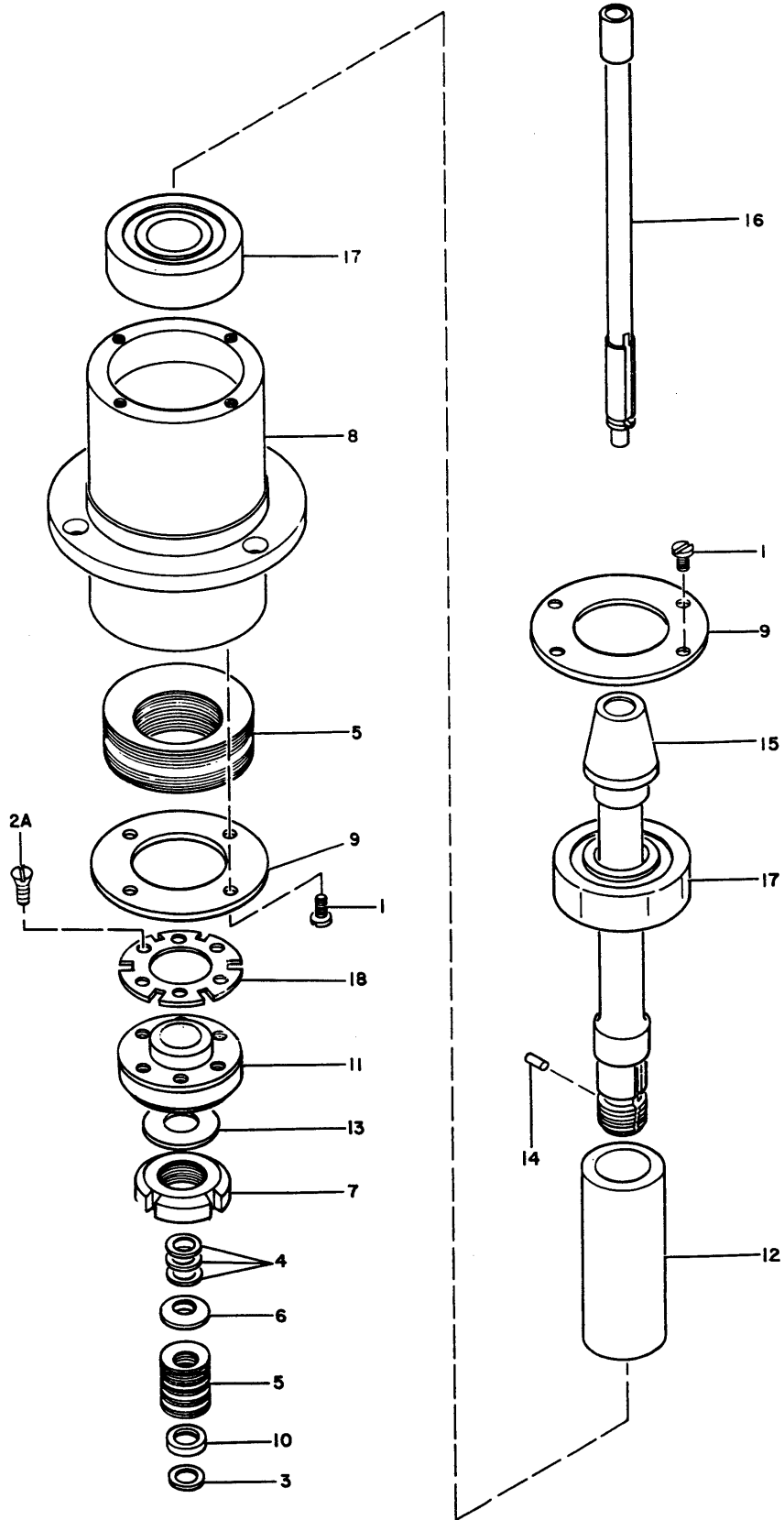


FIGURE 7. DISK PACK SPINDLE ASSEMBLY. SEE LIST 7.

| LIST AND INDEX NO. | PART NO. | DESCRIPTION | | | | UNITS PER ASM. | USABLE ON CODE |
|--------------------|----------|---|---|---|---|----------------|----------------|
| | | 1 | 2 | 3 | 4 | | |
| | | DISK PACK SPINDLE ASSEMBLY | | | | | |
| * 7 - | | CODE A USED ON MACH. PRIOR TO D5 SUFFIX | | | | | |
| * - | | CODE B USED ON MACH. FROM D5 TO E6 | | | | | |
| * - | | CODE C USED ON MACH. FROM E6 TO CURRENT | | | | | |
| - | 2180420 | SPINDLE ASM, DISK PACK | | | | REF | A |
| | | SEE LIST 5- 79 FOR NEXT HIGHER ASM. | | | | | |
| | | AND FIGURE 7 FOR ILLUSTRATION | | | | | |
| - | 2181062 | SPINDLE ASM, DISK PACK | | | | REF | B |
| | | SEE LIST 5- 79 FOR NEXT HIGHER ASM. | | | | | |
| | | AND FIGURE 7 FOR ILLUSTRATION | | | | | |
| - | 2218674 | SPINDLE ASSEMBLY | | | | REF | C |
| | | SEE LIST 5- 79 FOR NEXT HIGHER ASM. | | | | | |
| | | AND FIGURE 7 FOR ILLUSTRATION | | | | | |
| - 1 | 34512 | . SCREW, MACH-BIND. HD 8-32 X 3/8 LG | | | | 8 | |
| | | INDEX 2 DELETED | | | | | |
| - 2A | 316807 | . SCREW, MACH FL HD 6-32 X 3/8 LG | | | | 6 | B |
| - 2A | 2181010 | . SCREW, FLATHEAD UNDERCUT, 6-32 X .437 | | | | 6 | C |
| - 3 | 2154355 | . RING, RETAINING | | | | 1 | |
| - 4 | 2154419 | . SHIM, DISK PACK SPINDLE | | | | 9 | |
| - 5 | 2154423 | . SPRING, DISK SPINDLE BEARING | | | | 6 | |
| - 6 | 2154424 | . SPRING, DISK PACK LOCKING SHAFT | | | | 10 | |
| - 7 | 2154426 | . LOCKNUT, DISK PACK SPINDLE | | | | 1 | |
| - 8 | 2154429 | . HOUSING, DISK PACK SPINDLE | | | | 1 | |
| - 9 | 2154430 | . PLATE, SPINDLE BEARING | | | | 2 | |
| - 10 | 2154469 | . RETAINER, STEEL, 3/4 OD X 1/2 ID | | | | 1 | |
| - 11 | 2180408 | . PULLEY, DISK PACK | | | | 1 | A |
| - 11 | 2181056 | . PULLEY, DISK PACK | | | | 1 | B |
| - 11 | 2218673 | . CORR. OUTLET- 50 CY REAR QUAD DR. FEAT. | | | | 1 | C |
| - 12 | 2180548 | . SPACER, BEARING, 1.50 OD X 3.755 LONG | | | | 1 | |
| - 13 | 2180779 | . WASHER, FIBER, 1.175 ID X 1.80 OD | | | | 1 | |
| - 14 | 2180787 | . PIN, SPINDLE DRIVE | | | | 1 | |
| - 15 | 2180789 | . SPINDLE, DISK PACK | | | | 1 | |
| - 16 | 2180792 | . LOCKING SHAFT ASSEMBLY | | | | 1 | A |
| - 16 | 2181058 | . SHAFT ASSEMBLY, LOCKING | | | | 1 | B |
| - 16 | 2181058 | . SHAFT ASSEMBLY, LOCKING | | | | 1 | C |
| - 17 | 2180798 | . BEARING, BALL, 1.18 ID, 2.44 OD | | | | 2 | |
| - 18 | 2181041 | . WHEEL, LOCK | | | | 1 | B |
| - 18 | 2181041 | . WHEEL, LOCK | | | | 1 | C |

FOR PARTS
NOT SHOWN
SEE FIG. 5

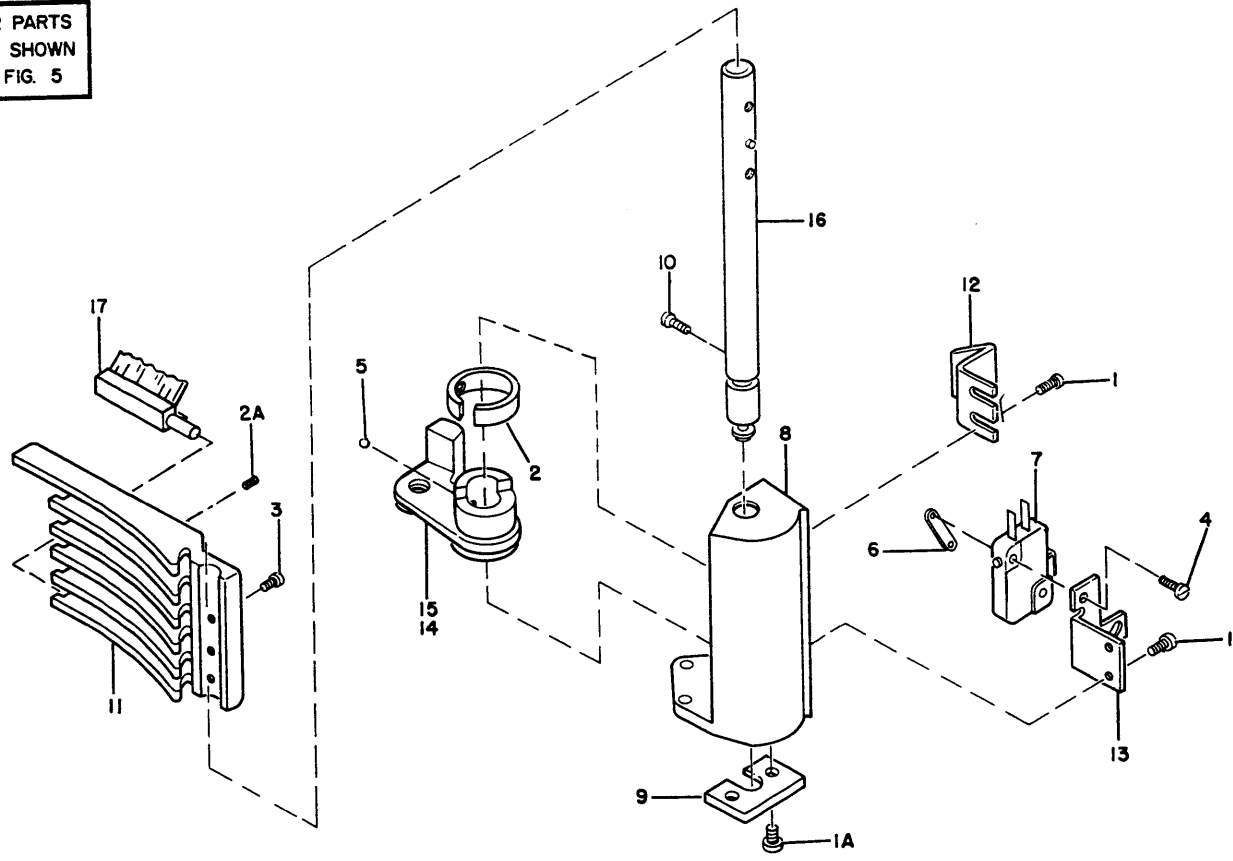


FIGURE 8. BRUSH PIVOT ASSEMBLY. SEE LIST 8.

| LIST AND INDEX NO. | PART NO. | DESCRIPTION | UNITS PER ASM. | | | | USABLE ON CODE |
|----------------------|----------|---|----------------|---|---|-----|----------------|
| | | | 1 | 2 | 3 | 4 | |
| BRUSH PIVOT ASSEMBLY | | | | | | | |
| 8 - | | - | | | | | |
| | | CODE 1 USED ON ASM PRIOR TO P5 SUFFIX | | | | | |
| | | CODE 2 USED ON ASM FROM P5 TO CURRENT | | | | | |
| | | CODE 3 USED ON ASM PRIOR TO P6 SUFFIX | | | | | |
| | | CODE 4 USED ON ASM FROM P6 TO CURRENT | | | | | |
| | | - | | | | | |
| | 2180480 | PIVOT ASSEMBLY, BRUSH SEE LIST 5- 88 FOR NEXT HIGHER ASM. AND FIGURE 8 FOR ILLUSTRATION | | | | | REF |
| - 1 | 10170 | • SCREW-MACH,BIND HD NO. 6-32 X .250 LG | | | | 6 | 1 |
| - 1 | 10170 | • SCREW-MACH,BIND HD NO. 6-32 X .250 LG | | | | 4 | 2 |
| - 1A | 81693 | • SCREW,MACH-BIND HD 6-32 X 3/8 LG | | | | 2 | 2 |
| - 2 | 237245 | • CLIP-RET | | | | 1 | |
| - 2A | 257958 | • SETSCREW-SPLINE DR FP 4-40 X 3/16 LG SEE LIST 1- 18 FOR NEXT HIGHER ASM. | | | | REF | |
| - 3 | 322065 | • SCREW,MACH-BIND HD 6-32 X 5/8 LG | | | | 2 | |
| - 4 | 438551 | • SCREW,MACH-BIND HD 4-40 X 5/8 LG | | | | 2 | |
| - 5 | 1124682 | • BALL, COMPENSATOR, S ST, 0.18750 DIA | | | | 1 | |
| - 6 | 2157349 | • PLATE, SECTOR PULSE SWITCH | | | | 1 | 3 |
| - 6 | 2244026 | • PLATE,NUT,SECTOR SWITCH | | | | 1 | 4 |
| - 7 | 2162551 | • SWITCH, SECTOR BLOCK | | | | 1 | |
| - 8 | 2180479 | • SUPPORT, BRUSH PIVOT SHAFT | | | | 1 | |
| - 9 | 2180484 | • RETAINER, BRUSH PIVOT SHAFT | | | | 1 | |
| - 10 | 2180898 | • SCREW, BRUSH ARM STOP | | | | 1 | |
| - 11 | 2180903 | • HOLDER, BRUSH | | | | 1 | |
| - 12 | 2180904 | • BRACKET, BRUSH HOLDER STOP | | | | 1 | |
| - 13 | 2180905 | • BRACKET, SWITCH | | | | 1 | |
| - 14 | 2180906 | • ARM, BRUSH PIVOT | | | | 1 | |
| - 15 | 2180907 | • SPRING, DETENT | | | | 1 | |
| - 16 | 2180909 | • SHAFT ASSEMBLY, BRUSH PIVOT | | | | 1 | |
| - 17 | 2180499 | • BRUSH ASSEMBLY, DISK PACK SEE LIST I- 45 FOR NEXT HIGHER ASM. | | | | REF | |

FOR PARTS
NOT SHOWN
SEE FIG. 9

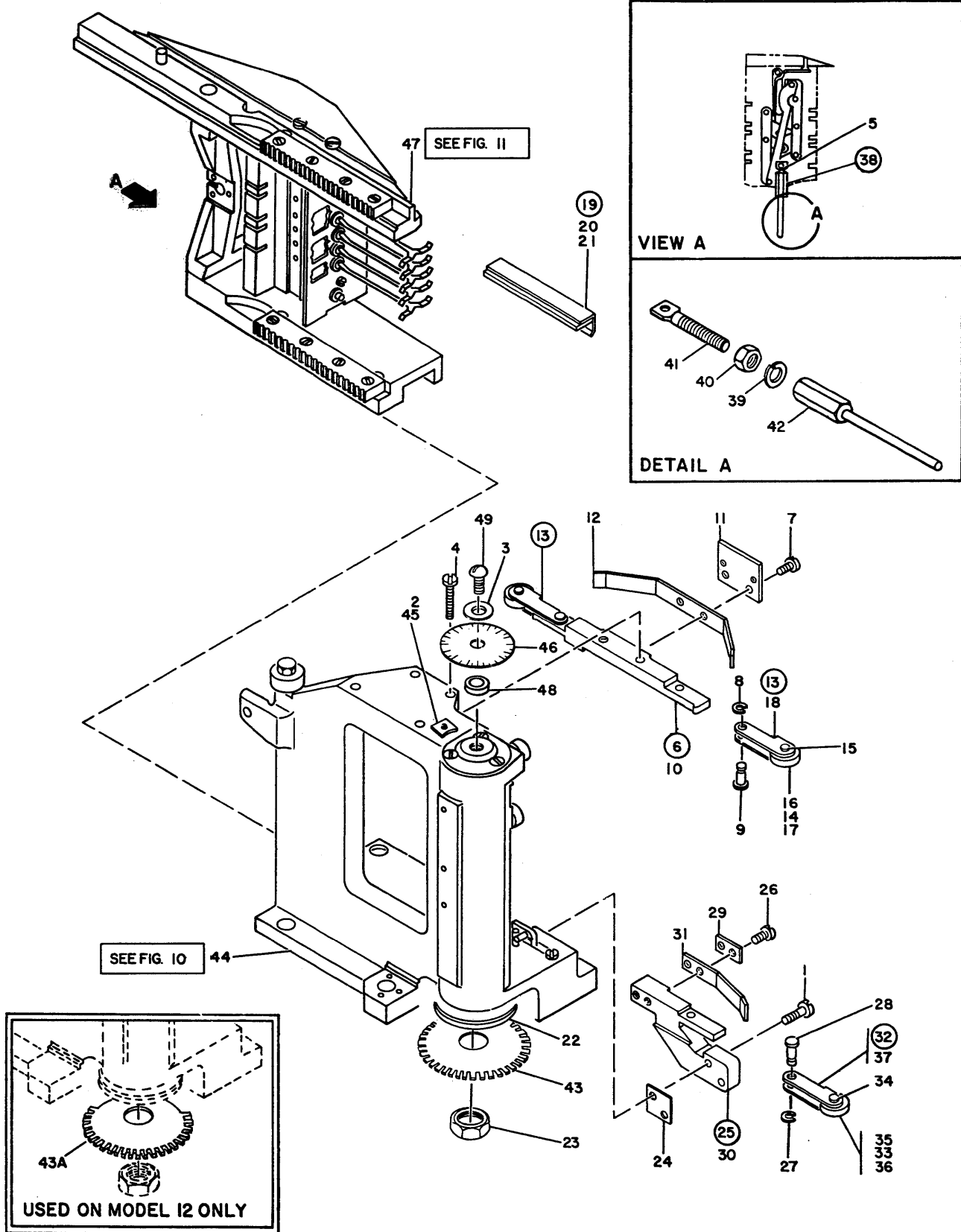


FIGURE 9. CARRIAGE AND CARRIAGE HOUSING ASSEMBLY. SEE LIST 9.

| LIST AND INDEX NO. | PART NO. | DESCRIPTION | UNITS PER ASM. | USABLE ON CODE |
|--------------------|----------|--|----------------|----------------|
| | | 1 2 3 4 | | |
| | | CARRIAGE AND CARRIAGE HOUSING ASSEMBLY. | | |
| * 9 - | | CODE A USED ON MODELS 1 AND 11 | | |
| * * | | CODE B USED ON MDOEL 12 | | |
| * * | | CODE 1 USED ON ASM PRIOR TO B6 SUFFIX | | |
| * * | | CODE 2 USED ON ASM FROM B6 TO CURRENT | | |
| * * | | CODE 3 USED ON ASM PRIOR TO B7 SUFFIX | | |
| * * | | CODE 4 USED ON ASM FROM B7 TO CURRENT | | |
| * - | 2180520 | CARRIAGE AND CARRIAGE HOUSING ASSEMBLY SEE LIST 5- 92 FOR NEXT HIGHER ASM. AND FIGURE 9 FOR ILLUSTRATION | REF | |
| - 1 | 5528 | . SCREW,MACH-BIND. HD 8-32 X 5/8 LG | 2 | |
| - 2 | 38235 | . SCREW,MACH-FIL H 6-32 X 5/16 LG | 1 | |
| - 3 | 120789 | . WASHER,FL-NO. 10 X 3/4 OD X 0.046 THK | 1 | 1 |
| * - 3 | 3550 | . WASHER,FL- 1/4 X 9/16 OD X 0.050 THK | 1 | 2 |
| - 4 | 322065 | . SCREW,MACH-BIND HD 6-32 X 5/8 LG | 2 | |
| - 5 | 1073418 | . RING,RET- 0.094 ID X 0.230 OD | 1 | |
| - 6 | 2154304 | . ROLLER ASSEMBLY, CARRIAGE UPPER | 1 | |
| - 7 | 35739 | . . SCREW, MACH-BIND HD NO. 6-32 X 15/16 LG | 2 | |
| - 8 | 1073418 | . . RING,RET- 0.094 ID X 0.230 OD | 2 | |
| - 9 | 2154339 | . . PIVOT, ROLLER YOKE | 2 | |
| - 10 | 2154342 | . . ARM, UPPER RAIL ROLLER | 1 | |
| - 11 | 2157330 | . . PLATE, ROLLER YOKE | 1 | |
| - 12 | 2160894 | . . SPRING, UPPER ROLLER YOKE | 2 | |
| - 13 | 2160893 | . . YOKE ASSEMBLY, CARRIAGE RAIL ROLLER | 1 | |
| - 14 | 233355 | . . . BEARING,BALL,PLAIN 3/16 ID X 1/2 OD | 2 | |
| - 15 | 2154337 | . . . PIN, CARRIAGE RAIL ROLLER | 2 | |
| - 16 | 2154338 | . . . SHIM, CARRIAGE RAIL ROLLER | 2 | |
| - 17 | 2157327 | . . . ROLLER, SPRING CONTACT | 2 | |
| - 18 | 2160918 | . . . YOKE, CARRIAGE RAIL ROLLER | 2 | |
| - 19 | 2157302 | . RETAINER ASSEMBLY, RACK LUBRICATOR | 2 | |
| - 20 | 2157303 | . . FELT, RACK LUBRICATOR | 1 | |
| - 21 | 2157304 | . . RETAINER, RACK LUBRICATOR | 1 | |
| - 22 | 2157343 | . SPACER, TRACK POSITION DISK | 1 | |
| - 23 | 2157344 | . LOCKNUT, TRACK POSITION DISK | 1 | |
| - 24 | 2160764 | . SHIM, LOWER ROLLER | 2 | |
| - 25 | 2160890 | . ROLLER ASSEMBLY, CARRIAGE LOWER | 1 | |
| - 26 | 35739 | . . SCREW, MACH-BIND HD NO. 6-32 X 15/16 LG | 2 | |
| - 27 | 1073418 | . . RING,RET- 0.094 ID X 0.230 OD | 1 | |
| - 28 | 2154339 | . . PIVOT, ROLLER YOKE | 1 | |
| - 29 | 2154344 | . . CAP, ROLLER SPRING | 1 | |
| - 30 | 2160891 | . . ARM, LOWER RAIL ROLLER | 1 | |
| - 31 | 2160892 | . . SPRING, LOWER ROLLER YOKE | 1 | |
| - 32 | 2160893 | . . YOKE ASSEMBLY, CARRIAGE RAIL ROLLER | 1 | |
| - 33 | 233355 | . . . BEARING,BALL,PLAIN 3/16 ID X 1/2 OD | 1 | |
| - 34 | 2154337 | . . . PIN, CARRIAGE RAIL ROLLER | 1 | |
| - 35 | 2154338 | . . . SHIM, CARRIAGE RAIL ROLLER | 2 | |
| - 36 | 2157327 | . . . ROLLER, SPRING CONTACT | 1 | |
| - 37 | 2160918 | . . . YOKE, CARRIAGE RAIL ROLLER | 2 | |
| * - 38 | 2162747 | . ROD ASSEMBLY,ADJ HEAD LOAD LATCH PUSH | 1 | 3 |
| * - 38 | 2181347 | . ROD ASSEMBLY,ADJ HEAD LOAD LATCH PUSH | 1 | 4 |
| * - 39 | 6364 | . . WASHER,LOCK-SPLIT NO. 6 X 1/4 OD USED ON ASM 2162747 ONLY | 1 | 3 |
| * - 40 | 38051 | . . NUT,PLAIN,HEX- 6-32 X 1/4 FL W | 1 | |
| * - 41 | 2162748 | . . SCREW, 6-32 ADJUSTING | 1 | |
| * - 42 | 2162749 | . . NUT,ROD ADJUSTABLE USED ON ASM 2162747 ONLY | 1 | 3 |
| * - 42 | 2218636 | . . NUT,ROD ADJUSTABLE USED ON ASM 2181347 ONLY | 1 | 4 |
| * - 43 | 2180464 | . DISK, TRACK POSITION | 1 | A |
| * - 43 A | 2181257 | . DISK,TRACK POSITION-MOD 12 | 1 | B |
| - 44 | 2180501 | . HOUSING ASSEMBLY, CARRIAGE SEE LIST 10 FOR DETAIL BREAKDOWN | 1 | |
| - 45 | 2180503 | . PLATE, TRACK INDICATOR | 1 | |
| - 46 | 2180505 | . COUNTER, TRACK | 1 | |
| - 47 | 2180510 | . CARRIAGE ASSEMBLY, 10 HEAD SEE LIST 11 FOR DETAIL BREAKDOWN | 1 | |
| - 48 | 2180528 | . SPACER, STEEL, .1910D X .5000D X .105 TH | 1 | |
| - 49 | 2180701 | . SCREW, BUTTON HEAD, 10/32 X 1/2 LONG | 1 | |

FOR PARTS
NOT SHOWN
SEE FIG. 9

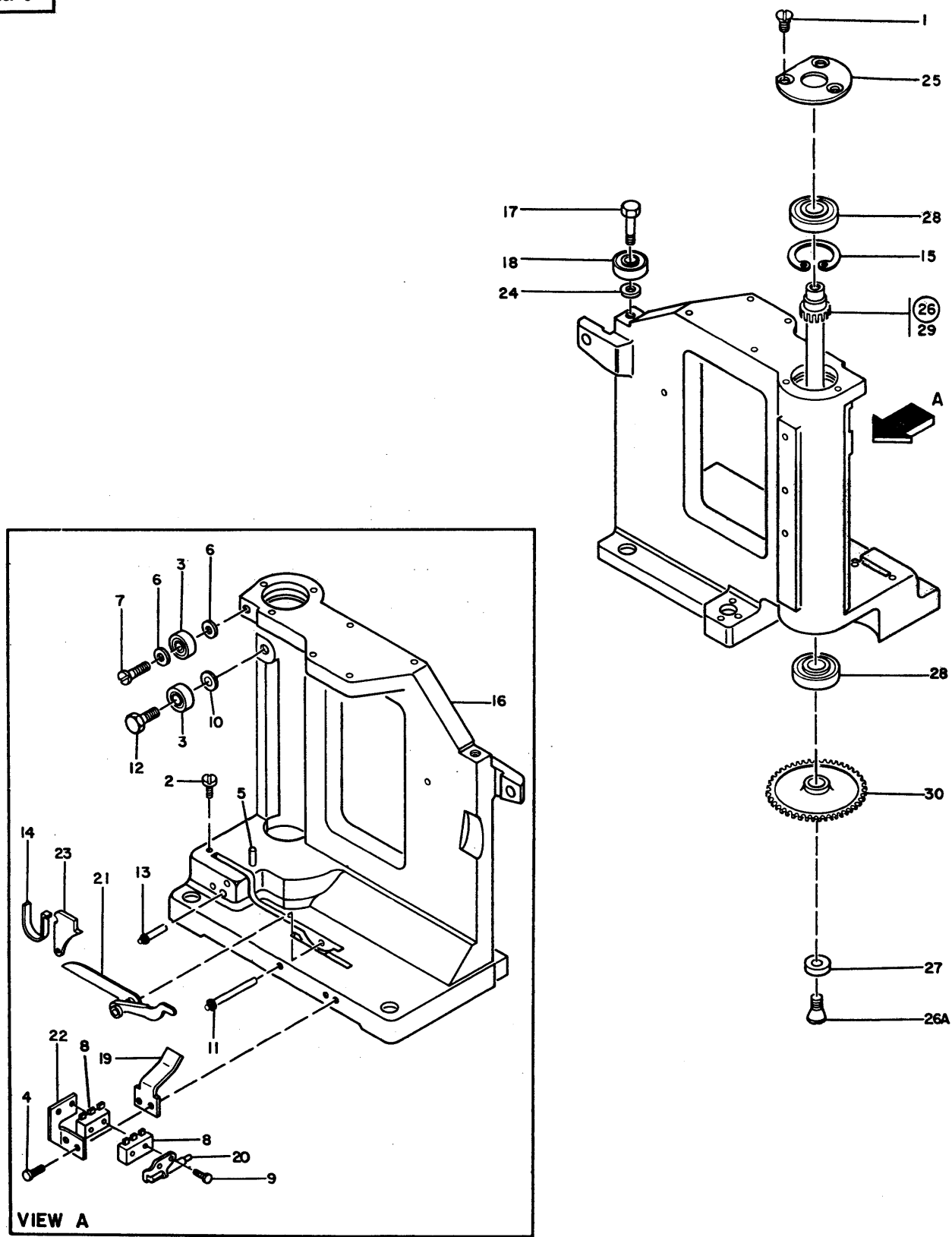


FIGURE 10. CARRIAGE HOUSING ASSEMBLY. SEE LIST 10.

| LIST AND INDEX NO. | PART NO. | DESCRIPTION | | | | UNITS PER ASM. | USABLE ON CODE |
|--------------------------|-------------|---|---|---|---|----------------------|----------------------|
| | | 1 | 2 | 3 | 4 | | |
| | | CARRIAGE HOUSING ASSEMBLY. | | | | | |
| * 10 - | | CODE 1 USED ON ASM PRIOR TO B7 SUFFIX | | | | | |
| * - | | CODE 2 USED ON ASM FROM B7 TO CURRENT | | | | | |
| * - | 2180501 | HOUSING ASSEMBLY, CARRIAGE | | | | REF | |
| | | SEE LIST 9- 44 FOR NEXT HIGHER ASM. | | | | | |
| | | AND FIGURE 10 FOR ILLUSTRATION | | | | | |
| - 1 | 38442 | . SCREW, MACH-FL CSK HD 6-32 X 1/4 LG | | | | 3 | |
| - 2 | 48594 | . SCREW, MACH-BIND HD NO. 4-40 X 0.175 LG | | | | 1 | |
| - 3 | 233355 | . BEARING, BALL, PLAIN 3/16 ID X 1/2 OD | | | | 2 | |
| - 4 | 251970 | . SCREW, MACH, BIND HD-NO. 4-40 X 1/4 LG | | | | 2 | |
| - 5 | 255886 | . ROLL PIN | | | | 1 | |
| - 6 | 257986 | . WASHER, FL- NO. 6 X 0.312 OD | | | | 2 | |
| - 7 | 322550 | . SCREW, MACH-BIND HD NO. 6-32 X 1/2 LG | | | | 1 | |
| - 8 | 355343 | . SWITCH, PRECISION | | | | 2 | |
| - 9 | 438543 | . SCREW, MACH, BIND. HD 2-56 X 5/8 LG | | | | 2 | |
| - 10 | 597044 | . COLLAR, MTG- GATE SUPPORT | | | | 1 | |
| - 11 | 2154204 | . PIVOT, ARMATURE, PAWL, 1.66 LG | | | | 1 | |
| - 12 | 2154301 | . STUD, CARRIAGE GUIDE ROLLER | | | | 1 | |
| - 13 | 2154303 | . PIVOT, CAM LATCH | | | | 1 | |
| - 14 | 2154306 | . SPRING, CAM LATCH | | | | 1 | |
| - 15 | 2154307 | . RING, RETAINING | | | | 1 | |
| - 16 | 2154326 | . HOUSING, CARRIAGE | | | | 1 | |
| - 17 | 2154327 | . STUD, CARRIAGE GUIDE ROLLER | | | | 1 | |
| - 18 | 2154328 | . BEARING, CARRIAGE GUIDE ROLLER | | | | 1 | |
| - 19 | 2154329 | . SPRING, HEAD LOAD CAM SWITCH | | | | 1 | |
| - 20 | 2154330 | . ACTUATOR, HEAD LOAD SWITCH | | | | 2 | |
| - 21 | 2154331 | . CAM, HEAD LOAD | | | | 1 | 1 |
| - 21 | 2181324 | . CAM, HEAD LOAD | | | | 1 | 2 |
| - 22 | 2154332 | . BRACKET, HEAD LOAD CAM CONTACT | | | | 1 | |
| - 23 | 2154356 | . LATCH, HEAD LOAD CAM | | | | 1 | |
| - 24 | 2160765 | . SPACER, 0.203 ID X 0.438 OD | | | | 1 | |
| - 25 | 2180529 | . RETAINER, BEARING | | | | 1 | |
| - 26 | 2180443 | . SHAFT ASSEMBLY, DETENT AND TRACT POS. | | | | 1 | |
| - 26A | 99 | . . SCREW, MACH-FL CSK HD 10-32 X 3/8 LG | | | | 1 | |
| - 27 | 2154348 | . . WASHER, 1/2 OD X 1/4 ID | | | | 1 | |
| - 28 | 2154349 | . . BEARING, TRACK POSITION SHAFT | | | | 2 | |
| - 29 | 2154352 | . . SHAFT, DETENT AND TRACK POSITION | | | | 1 | |
| - 30 | 2180444 | . . GEAR, DETENT | | | | 1 | |

FOR PARTS
NOT SHOWN
SEE FIG. 9

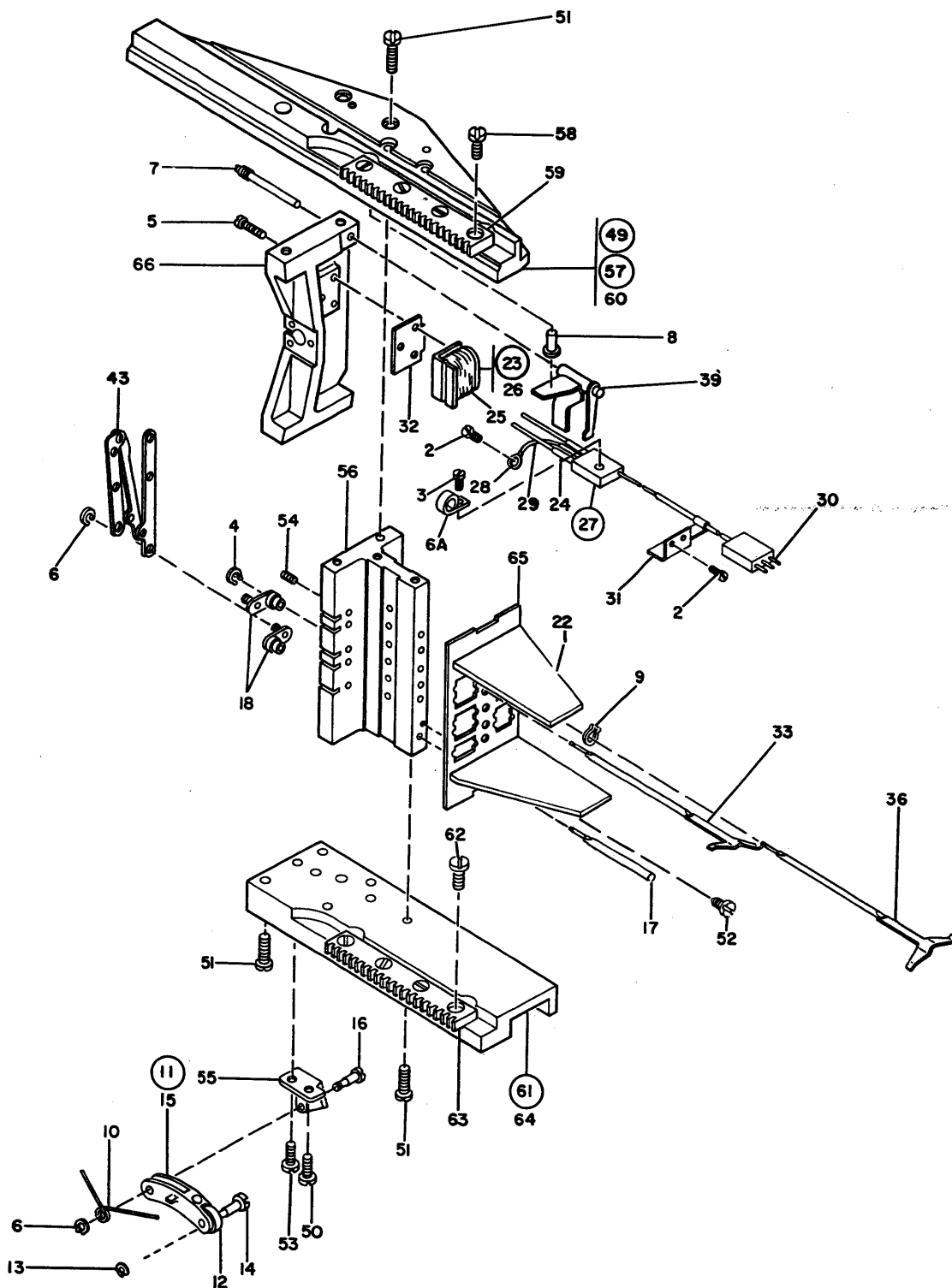


FIGURE 11. 10 HEAD CARRIAGE ASSEMBLY. SEE LIST 11.

| | | 10 HEAD CARRIAGE ASSEMBLY. | REF |
|--------|---------|---|-----|
| * 11 - | | CODE 1 USED ON ASM FROM E5 TO CURRENT CODE 2 USED ON ASM PRIOR TO H5 SUFFIX CODE 3 USED ON ASM FROM H5 TO CURRENT CODE 4 USED ON ASM PRIOR TO A6 SUFFIX CODE 5 USED ON ASM FROM A6 TO CURRENT CODE 6 USED ON ASM PRIOR TO B7 SUFFIX CODE 7 USED ON ASM FROM B7 TO CURRENT | |
| - | 2180510 | CARRIAGE ASSEMBLY, 10 HEAD SEE LIST 9- 47 FOR NEXT HIGHER ASM. AND FIGURE 11 FOR ILLUSTRATION | |
| - 1 | 10170 | . SCREW, MACH-BIND HD 6-32 X 1/4 LG | 4 |
| - 2 | 48594 | . SCREW, MACH-BIND HD NO. 4-40 X 0.175 LG | 3 |
| - 3 | 251970 | . SCREW-MACH BD. HD. 4-40 X 1/4 LG | 1 |
| * - 3 | 438548 | . SCREW, MACH-BIND HD 4-40 X 3/16 LG | 4 |
| * - 3 | 438548 | . SCREW, MACH-BIND HD 4-40 X 3/16 LG | 1 |
| - 4 | 251989 | . RING, RETAINING | 6 |
| - 5 | 438549 | . SCREW, MACH-BIND HD 4-40 X 7/16 LG | 1 |
| - 6 | 1073418 | . RING, RET- 0.094 ID X 0.230 OD | 3 |
| - 6A | 2122639 | . CLAMP-CABLE | 7 |
| - 7 | 2154204 | . PIVOT, ARMATURE, PAWL, 1.66 LG | 1 |
| - 8 | 2154207 | . PLUNGER, HEAD LOAD | 1 |
| - 9 | 2154208 | . RING, RETAINING, HEAD LOAD BAR | 12 |
| - 10 | 2154212 | . SPRING, TORSION | 1 |
| * - 11 | 2154255 | . FOLLOWER ASSEMBLY, HEAD LOAD CAM | 1 |
| * - 11 | 2181329 | . FOLLOWER ASSEMBLY, HEAD LOAD CAM | 6 |
| * - 12 | 437131 | . . ROLLER, TRAVERSE CARRIAGE SUPPORT | 1 |
| * - 12 | 2181326 | . . ROLLER, HEAD LOAD | 1 |
| - 13 | 1073418 | . . RING, RET- 0.094 ID X 0.230 OD | 1 |
| - 14 | 2154203 | . . PIN, HEAD LOAD CAM FOLLOWER ROLLER | 1 |
| * - 15 | 2154256 | . . FOLLOWER, HEAD LOAD CAM | 1 |
| * - 15 | 2181325 | . . FOLLOWER HEAD LOAD CAM | 6 |
| - 16 | 2154268 | . PIN, HEAD LOAD CAM FOLLOWER, 0.125 DIA | 1 |
| - 17 | 2154393 | . ROD, HEAD LOAD-DUMMY | 1 |
| - 18 | 2154659 | . LEVER ASSEMBLY, HEAD LOADING PARTS OF THIS ASM ARE NOT REPLACEABLE INDEXES 19 THRU 21 DELETED | 6 |
| - 22 | 2162532 | . PAD, HEAD LOAD | 2 |
| - 23 | 2180445 | . MAGNET ASSEMBLY, HEAD LOAD LATCH | 1 |
| - 24 | 441218 | . . TUBING | 2 |
| - 25 | 620093 | . . COIL ASSEMBLY, 646 OHM - 790 OHM RES. | 1 |
| - 26 | 2180446 | . . CORE AND MOUNT ASSEMBLY | 1 |
| * - 27 | 2162569 | . . CABLE ASSEMBLY, HEAD LATCH SOLENOID | 1 |
| - 28 | 124440 | . . . CLIP | 1 |
| - 29 | 2103416 | . . . TUBING, INSULATING | 1 |
| - 30 | 2154243 | . . . CONTACT, SINGLE WIRE | 3 |
| - 31 | 2162539 | . . . CLIP, HEAD LATCH SOLENOID CABLE | 1 |
| * - 32 | 2180447 | . PLATE, MAGNET | 1 |
| * - 33 | 2180451 | . ROD ASSEMBLY, TORSION, A-UP B-DOWN | 2 |
| * - 33 | 2181194 | . ROD ASSEMBLY, TORSION, A-UP B-DOWN PARTS OF THIS ASM ARE NOT REPLACEABLE INDEXES 34 AND 35 DELETED | 3 |
| * - 36 | 2180452 | . ROD ASSEMBLY, TORSION, A-DOWN B-UP | 3 |
| * - 36 | 2181195 | . ROD ASSEMBLY, TORSION, A-DOWN B-UP PARTS OF THIS ASM ARE NOT REPLACEABLE INDEXES 37 AND 38 DELETED | 3 |
| - 39 | 2180455 | . PAWL ASSEMBLY, HEAD LOAD PARTS OF THIS ASM ARE NOT REPLACEABLE INDEXES 40 THRU 42 DELETED | 1 |
| - 43 | 2180462 | . LINK ASSEMBLY, HEAD LOAD LATCH PARTS OF THIS ASM ARE NOT REPLACEABLE INDEXES 44 THRU 48 DELETED | 1 |
| - 49 | 2180675 | . RECEIVER ASSEMBLY, CARRIAGE | 1 |
| - 50 | 81693 | . . SCREW, MACH-BIND HD NO 6-32 X 3/8 LG | 1 |
| - 51 | 186758 | . . SCREW, MACH-BIND HD 8-32 X 7/16 LG | 12 |
| - 52 | 186923 | . . SCREW, MACH SOCKET HD 4-40 X 0.250 LG | 3 |
| - 53 | 322065 | . . SCREW, MACH-BIND HD 6-32 X 5/8 LG | 1 |
| - 54 | 2154209 | . . SCREW, HEADLESS SET, NO. 8-32 X 3/8 LG | 10 |
| - 55 | 2154236 | . . MOUNT, HEAD LOAD CAM FOLLOWER | 1 |
| - 56 | 2154237 | . . RECEIVER, CARRIAGE ASSEMBLY | 1 |
| - 57 | 2154258 | . . RAIL ASSEMBLY, TOP | 1 |
| - 58 | 81693 | . . . SCREW, MACH-BIND HD NO 6-32 X 3/8 LG | 4 |
| - 59 | 2154231 | . . . RACK, CARRIAGE DRIVE GEAR | 1 |
| - 60 | 2154233 | . . . RAIL, CARRIAGE TOP | 1 |
| - 61 | 2154259 | . . . RAIL ASSEMBLY, BOTTOM | 1 |
| - 62 | 81693 | . . . SCREW, MACH-BIND HD NO 6-32 X 3/8 LG | 4 |
| - 63 | 2154231 | . . . RACK, CARRIAGE DRIVE GEAR | 1 |
| - 64 | 2154234 | . . . RAIL, CARRIAGE BOTTOM | 1 |
| - 65 | 2162556 | . . COMB, ARM FRONT | 1 |
| - 66 | 2180502 | . . COUPLER, CARRIAGE DRIVE | 1 |

FOR PARTS
NOT SHOWN
SEE FIG. 5

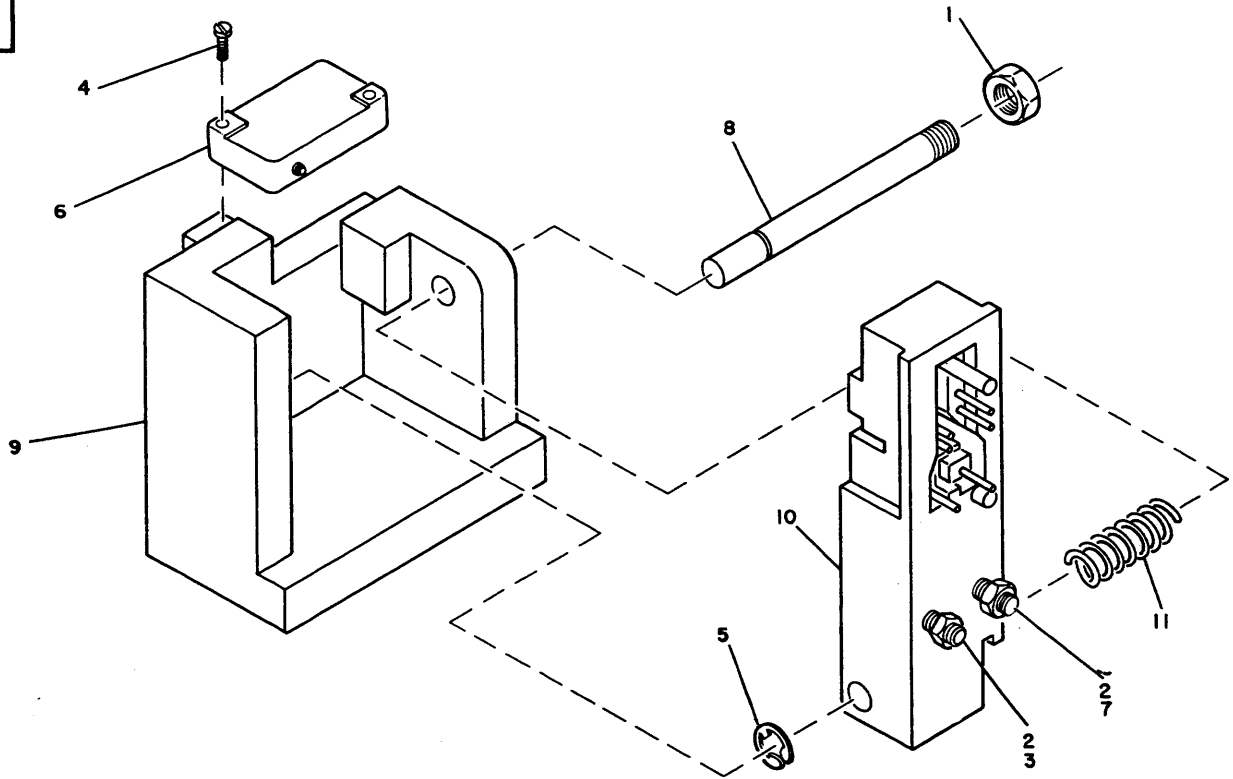


FIGURE 12. INDEX TRANSDUCER AND SUPPORT ASSEMBLY. SEE LIST 12.

| INDEX TRANSDUCER AND SUPPORT ASSEMBLY | | | REF |
|---------------------------------------|---------|---|-----|
| * 12 - | 2180531 | SUPPORT-TRANSDUCER ASSEMBLY, INDEX SEE LIST 5- 97 FOR NEXT HIGHER ASM. AND FIGURE 12 FOR ILLUSTRATION | |
| - 1 | 11598 | . NUT, PLAIN, HEX- 10-32 X 3/8 FL W | 1 |
| - 2 | 257189 | . NUT, HEX., 8-32 X 0.3438 W | 2 |
| - 3 | 314372 | . SCREW, HEADLESS SET, 8-32 NC X 1.// LG. | 1 |
| - 4 | 438551 | . SCREW, MACH-BIND HD 4-40 X 5/8 LG | 2 |
| - 5 | 1092125 | . RING, LOCKING | 1 |
| - 6 | 2162551 | . SWITCH, SECTOR BLOCK | 1 |
| - 7 | 2162699 | . PLUNGER, SWITCH | 1 |
| - 8 | 2180525 | . PIN, INDEX PULSE PIVOT | 1 |
| - 9 | 2180527 | . SUPPORT, INDEX TRANSDUCER | 1 |
| - 10 | 2180613 | . TRANSDUCER ASSEMBLY, INDEX | 1 |
| - 11 | 2180625 | . SPRING, DOUBLE ACTING | 1 |

FOR PARTS
NOT SHOWN
SEE FIG. 5

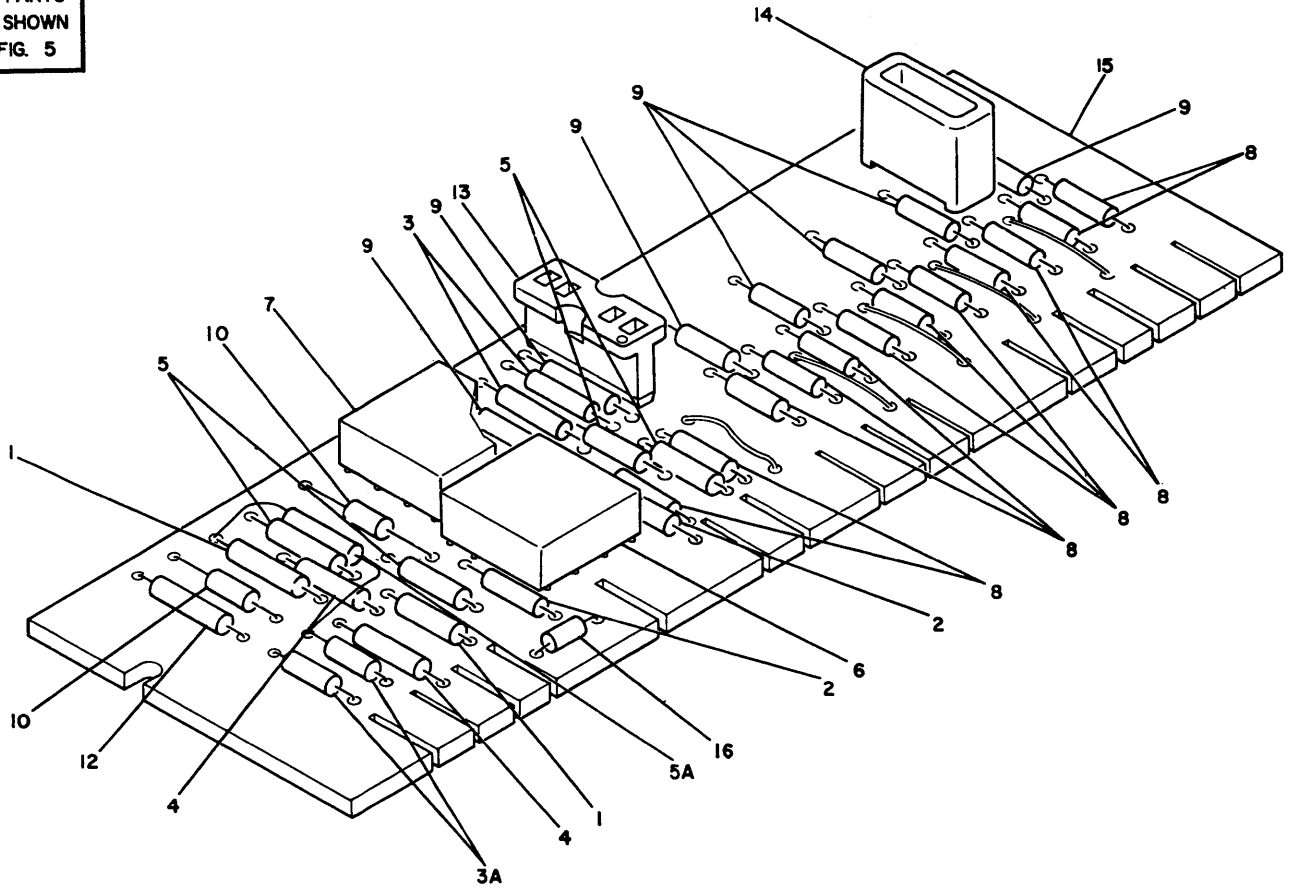


FIGURE 13. PREAMP READ CARD ASSEMBLY. SEE LIST 13.

| | | PREAMP READ CARD ASSEMBLY | | |
|--------|-----------|---|-----|---|
| * 13 - | | CODE A USED ON ASM PRIOR TO H5 SUFFIX CODE B USED ON ASM FROM H5 TO P5 SUFFIX CODE C USED ON ASM FROM P5 TO CURRENT | | |
| - | 2180749 | CARD ASSEMBLY, READ PREAMP. SEE LIST 5- 103 FOR NEXT HIGHER ASM. AND FIGURE 13 FOR ILLUSTRATION | REF | A |
| - | 2181149- | CARD ASSEMBLY, READ PREAMP SEE LIST 5- 103 FOR NEXT HIGHER ASM. AND FIGURE 13 FOR ILLUSTRATION | REF | B |
| - | 2244049 - | CARD ASSEMBLY, READ PREAMP SEE LIST 5- 103 FOR NEXT HIGHER ASM. AND FIGURE 13 FOR ILLUSTRATION | REF | C |
| - 1 | 216442 | . RESISTOR, FXD CARB, 680 OHM, 1/4W, 5% | 2 | |
| - 2 | 216452 | . RESISTOR, FXD CARB, 2K OHM, 1/4W, 5% | 2 | |
| - 3 | 216466 | . RESISTOR, FXD, CARBON, 8.2K P/M 5% 1/4W | 2 | |
| - 3A | 216472 | . RESISTOR | 2 | B |
| - 4 | 216474 | . RESISTOR, FXD CARB, 18K OHM, 1/4W, 5% | 2 | |
| - 5 | 216481 | . RESISTOR, FXD CARB, 36K OHM, 1/4W, 5% | 4 | |
| - 5A | 350428 | . CAPACITOR - 100 UF | 1 | C |
| - 6 | 361479 | . SLT MODULE, MEDIUM SPEED CIRCUIT | 1 | |
| - 7 | 361497 | . SLT MODULE, LOW SPEED CIRCUIT | 1 | |
| - 8 | 369203 | . SEMICONDUCTOR DEVICE, DIO-TYPE DD | 12 | A |
| - 8 | 369203 | . SEMICONDUCTOR DEVICE, DIO-TYPE DD | 12 | B |
| - 8 | 2414895 | . SEMICONDUCTOR DEVICE, DIODE | 12 | C |
| - 9 | 369599 | . DIODE ASM, SEMICONDUCTOR- 75V 150 MA | 7 | A |
| - 9 | 369599 | . DIODE ASM, SEMICONDUCTOR- 75V 150 MA | 7 | B |
| - 9 | 2414895 | . SEMICONDUCTOR DEVICE, DIODE | 7 | C |
| - 10 | 491228 | . CAPACITOR, FILM, .01 MFD P/M 10% 100 V INDEX 11-DELETED | 2 | |
| - 12 | 550050 | . RESISTOR, CARBON, 240 OHM, 1/4W, 5% | 1 | |
| - 13 | 2160951 | . SOCKET, PHENOLIC, 4 PINS | 5 | |
| - 14 | 2160959 | . SPACER, SOCKET | 5 | |
| - 15 | 2180748 | . CARD, ETCHED, READ PREAMP | 1 | A |
| - 15 | 2181148 | . CARD, ETCHED-READ PREAMP | 1 | B |
| - 16 | 2414920 | . MODULE, CAPACITOR TANTALUM-POLAR, 6.8 UF | 1 | |

FOR PARTS
NOT SHOWN
SEE FIG. 5

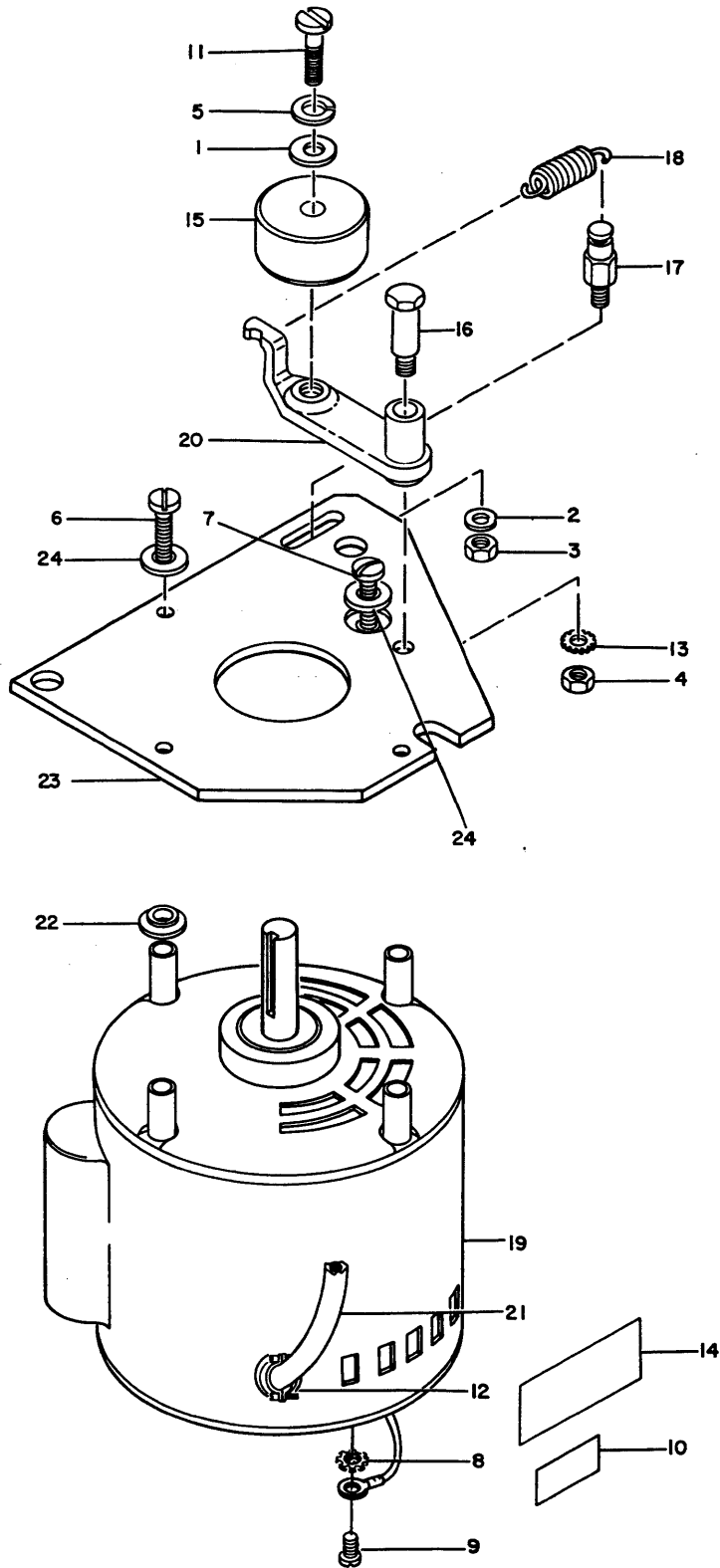


FIGURE 14. MOTOR DRIVE ASSEMBLY. SEE LIST 14.

| LIST AND INDEX NO. | PART NO. | DESCRIPTION | | | | UNITS PER ASM. | USABLE ON CODE |
|--------------------|----------|---|---|---|---|----------------|----------------|
| | | 1 | 2 | 3 | 4 | | |
| | | MOTOR DRIVE ASSEMBLY | | | | | |
| 14 - | 2180986 | DRIVE ASSEMBLY, MOTOR SEE LIST 5- 134 FOR NEXT HIGHER ASM. AND FIGURE 14 FOR ILLUSTRATION | | | | REF | |
| - 1 | 453 | . WASHER, FL- 3/8 X 13/16 OD X 1/16 THK | | | | 1 | |
| - 2 | 3550 | . WASHER, FL 0.265 ID X 9/16 OD | | | | 1 | |
| - 3 | 3960 | . NUT, PLAIN, HEX- 1/4-20 X 7/16 FL W | | | | 1 | |
| - 4 | 4564 | . NUT, PLAIN, HEX- 5/16-18 X 1/2 FL W | | | | 1 | |
| - 5 | 10309 | . WASHER, LOCK-SPLIT 3/8 ID X 0.688 OD | | | | 1 | |
| - 6 | 25627 | . SCREW, MACH-BIND HD 8-32 X 1/2 LG | | | | 3 | |
| - 7 | 34512 | . SCREW, MACH-BIND. HD 8-32 X 3/8 LG | | | | 1 | |
| - 8 | 56722 | . WASHER, LOCK-EXT TEETH NO. 6 X 5/16 OD | | | | 1 | |
| - 9 | 79778 | . SCREW - BINDING HEAD - SELF TAPPING | | | | 1 | |
| - 10 | 138755 | . LABEL | | | | 1 | |
| - 11 | 139395 | . SCREW, MACH, HEX HD 3/8-16 X 1/2 LG | | | | 1 | |
| - 12 | 151598 | . CLAMP, CABLE | | | | 1 | |
| - 13 | 179966 | . WASHER, LOCK-EXT TEETH 5/16 ID X 0.610 OD | | | | 1 | |
| - 14 | 369207 | . LABEL, VOLTAGE | | | | 1 | |
| - 15 | 2154408 | . BEARING, 1.850 OD X 0.669 ID X 7/8 THK | | | | 1 | |
| - 16 | 2154411 | . PIVOT, IDLER PULLEY BAR | | | | 1 | |
| - 17 | 2154412 | . STUD, SPRING, 1/4-20 X 1-1/2 LG | | | | 1 | |
| - 18 | 2162620 | . SPRING, EXTENSION, 1.37 LG X 0.50 DIA | | | | 1 | |
| - 19 | 2162623 | . MOTOR, 1/2 HP, 50/60 CYCLE | | | | 1 | |
| - 20 | 2162833 | . ARM ASSEMBLY, IDLER DRIVE MOTOR | | | | 1 | |
| - 21 | 2178554 | . CABLE ASSEMBLY, MOTOR SEE LIST 19-3B, 3E, 5C, 34 AND 34A FOR COMPONENT PARTS | | | | 1 | |
| - 22 | 2180983 | . INSULATOR, NYLON, .186 ID, .44 OD | | | | 4 | |
| - 23 | 2180984 | . PLATE, MOTOR MOUNT | | | | 1 | |
| - 24 | 2180985 | . WASHER, FIBER, .172 ID, .44 OD | | | | 8 | |

FOR PARTS
NOT SHOWN
SEE FIG. 5

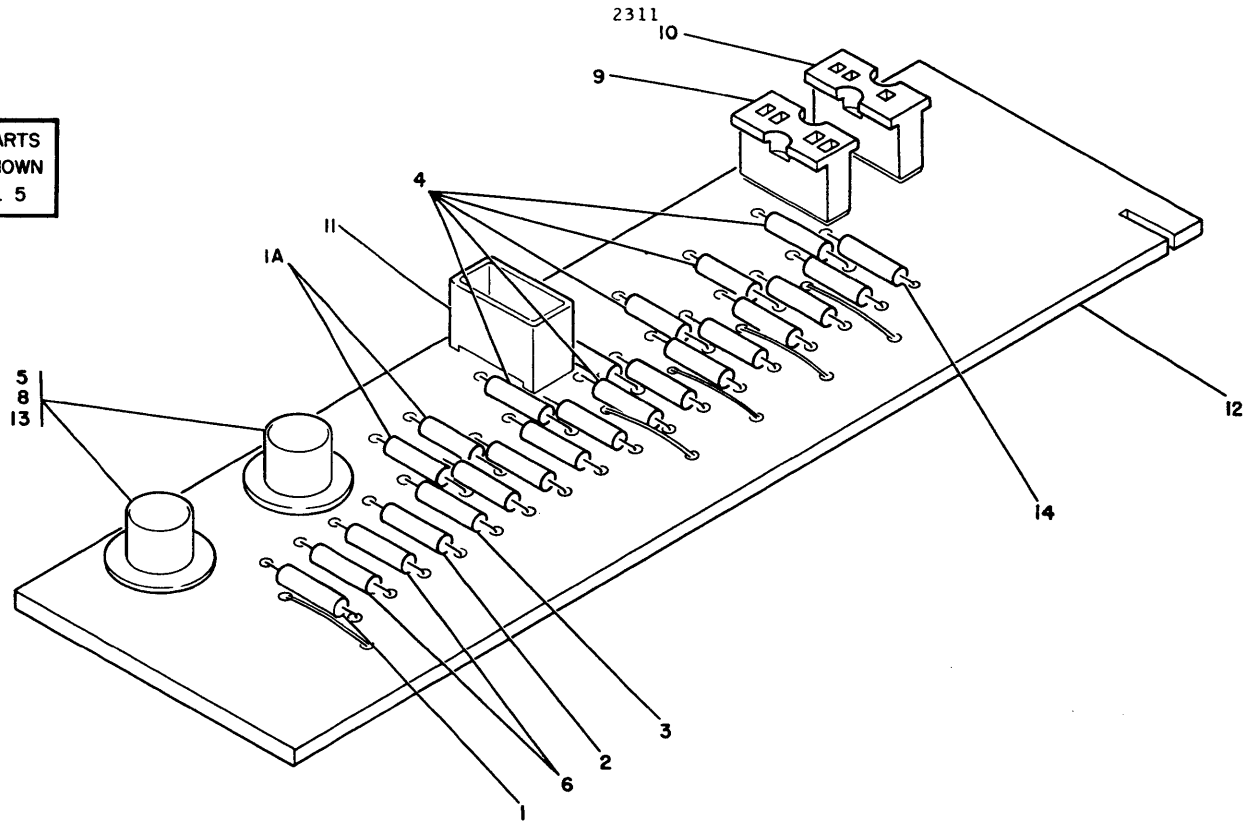


FIGURE 15. WRITE DRIVER CARD ASSEMBLY. SEE LIST 15.

WRITE DRIVER CARD ASSEMBLY

| | | | | |
|--------|------------|---|-----|----|
| * 15 - | | CODE A USED ON ASM PRIOR TO H5 SUFFIX CODE B USED ON ASM FROM H5 TO M5 SUFFIX CODE C USED ON ASM FROM M5 TO CURRENT CODE 1 USED ON ASM PRIOR TO D5 SUFFIX CODE 2 USED ON ASM FROM D5 TO H5 SUFFIX CODE 3 USED ON ASM FROM M5 TO F6 SUFFIX CODE 4 USED ON ASM FROM F6 TO CURRENT | | |
| * - | 2181067 | CARD ASSEMBLY, WRITE DRIVER SEE LIST 5- 138 FOR NEXT HIGHER ASM. AND FIGURE 15 FOR ILLUSTRATION | REF | A |
| * - | 2181213 | CARD ASSEMBLY,WRITE DRIVER SEE LIST 5- 138 FOR NEXT HIGHER ASM. AND FIGURE 15 FOR ILLUSTRATION | REF | B |
| * - | 2181240 | CARD ASSEMBLY,WRITE DRIVER SEE LIST 5- 138 FOR NEXT HIGHER ASM. AND FIGURE 15 FOR ILLUSTRATION | REF | C |
| * - | 1 216432 | . RESISTOR | 1 | 1A |
| * - | 1 216468 | . RESISTOR,FXD-COMP- 10K OHMS P/M 5% 1/4W | 2 | B |
| * - | 1A 216455 | . RESISTOR,FXD,COMP- 2.7K P/M 5% 1/4W | 2 | 1A |
| * - | 1A 216460 | . RESISTOR, 4.7K OHM, 1/4W, 5% | 2 | 2A |
| * - | 1A 216455 | . RESISTOR,FXD,COMP- 2.7K P/M 5% 1/4W | 2 | B |
| * - | 1A 216468 | . RESISTOR,FXD-COMP- 10K OHMS P/M 5% 1/4W | 2 | C |
| * - | 2 216461 | . RESISTOR, FXD CARB, 5.1K OHM, 1/4W, 5% | 1 | |
| * - | 3 216480 | . RESISTOR, FXD CARB, 33K OHM, 1/4W, 5% | 1 | |
| * - | 4 369599 | . DIODE ASM, SEMICONDUCTOR- 75V 150 MA | 5 | 3C |
| * - | 4 2414895 | . SEMICONDUCTOR DEVICE,DIODE | 5 | 4C |
| * - | 5 483070 | . SPACER, TRANSISTOR USED WITH TRANSISTOR 2414877 ONLY | 2 | |
| * - | 6 492551 | . COIL | 2 | 1A |
| * - | 6 483224 | . RESISTOR, 36K OHM, 1/4W, 5% INDEX 7 DELETED | 2 | 2A |
| * - | 6 483224 | . RESISTOR, 36K OHM, 1/4W, 5% | 2 | B |
| * - | 6 483224 | . RESISTOR, 36K OHM, 1/4W, 5% | 2 | C |
| * - | 8 811839 | . SINK, HEAT | 2 | |
| * - | 9 2160951 | . SOCKET, PHENOLIC, 4 PINS | 5 | |
| * - | 10 2160953 | . SOCKET, PHENOLIC, 3 PINS | 1 | |
| * - | 11 2160959 | . SPACER, SOCKET | 6 | |
| * - | 12 2180750 | . CARD, ETCHED, WRITE | 1 | |
| * - | 13 2414877 | . TRANSISTOR, SILICON TYPE 136, PNP | 2 | |
| * - | 13 369113 | . TRANSISTOR SUBSTITUTE FOR TRANSISTOR 2414877 USED WITH HEAT SINK 811839 ONLY | 2 | 2A |
| * - | 14 2414895 | . DIODE, TYPE HA | 12 | |

FOR PARTS
NOT SHOWN
SEE FIG. 1

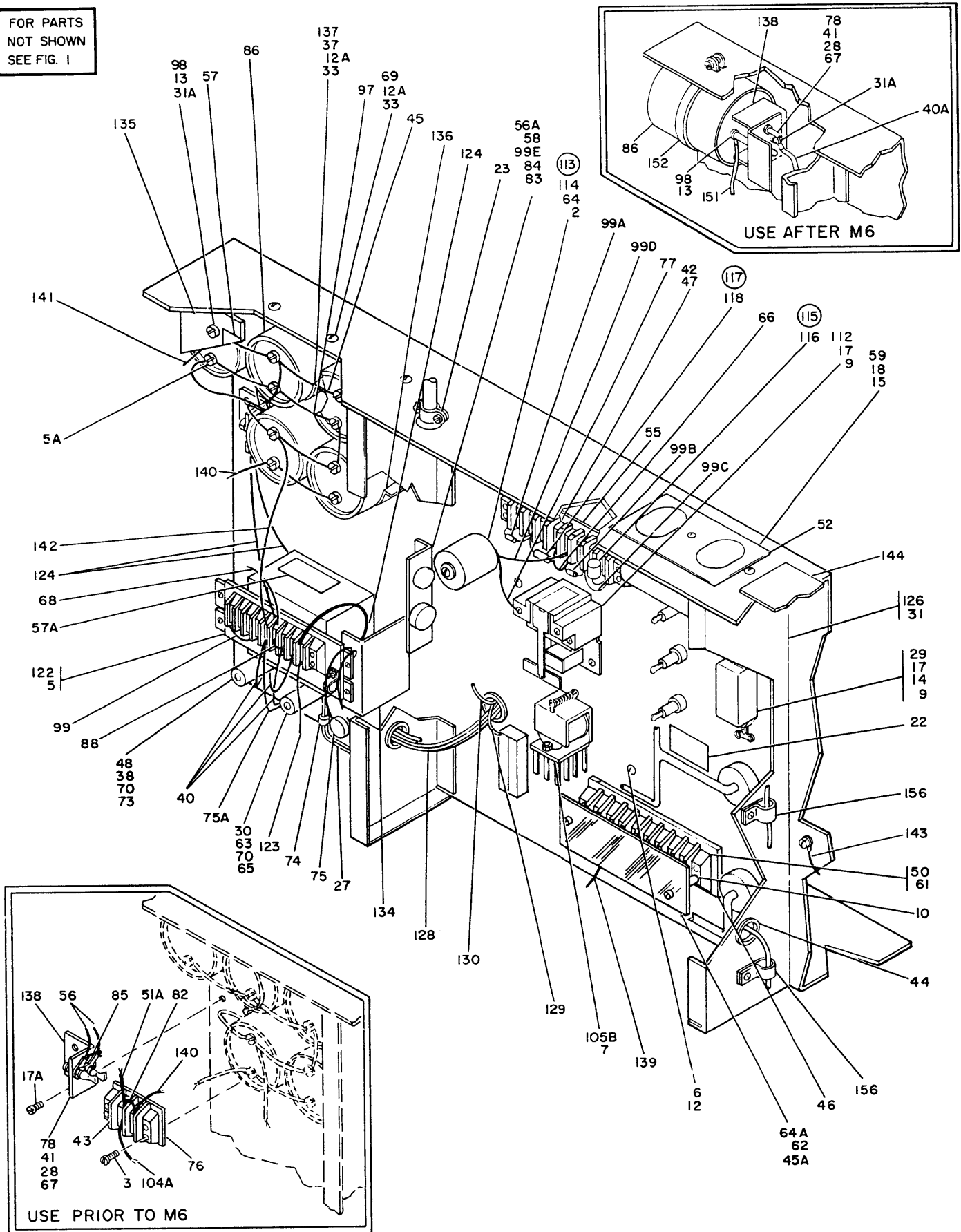


FIGURE 16. SEQUENCE PANEL ASSEMBLY. SHEET 1 OF 2. SEE LIST 16.

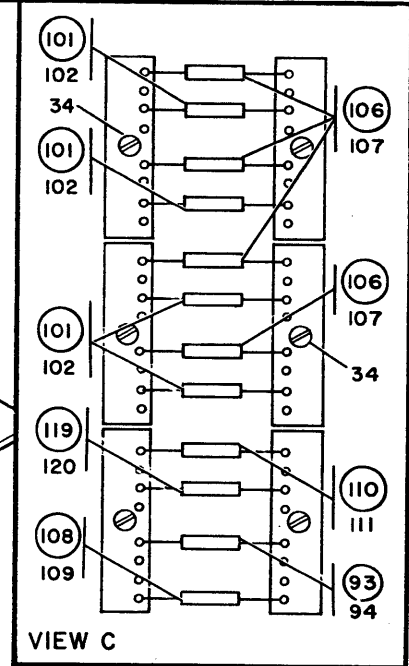
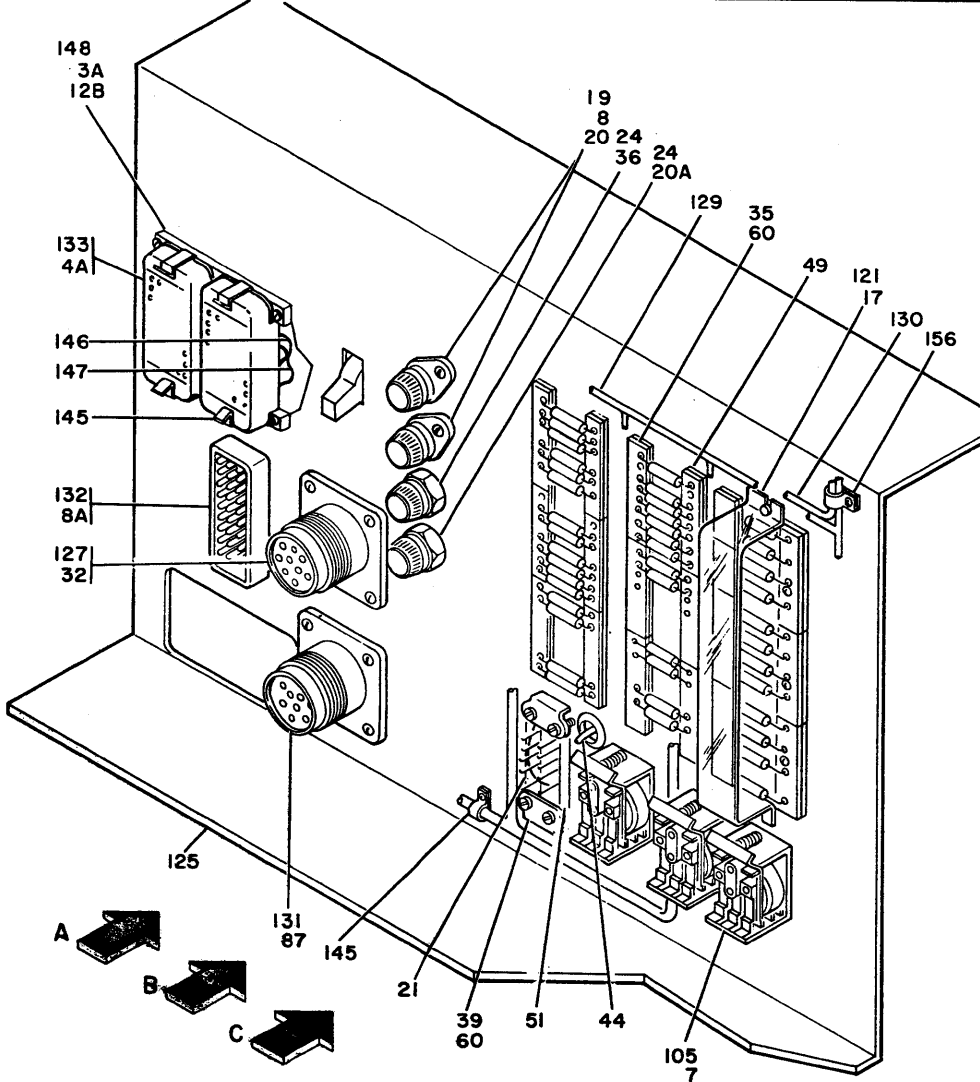
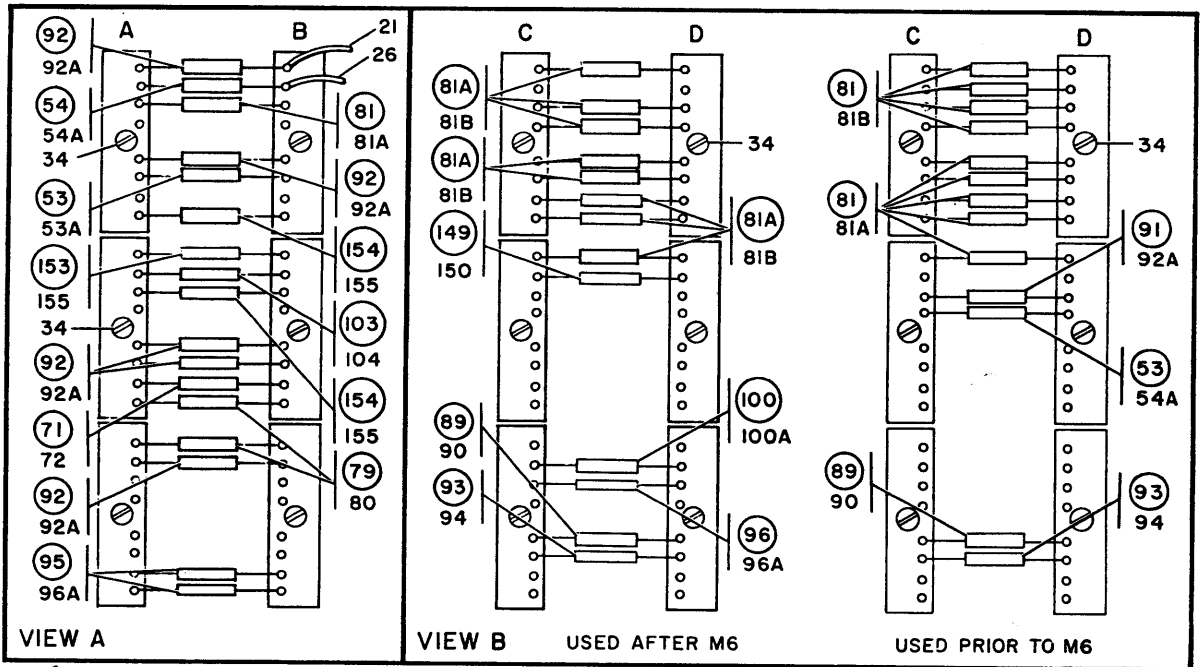


FIGURE 16. SEQUENCE PANEL ASSEMBLY. SHEET 2 OF 2. SEE LIST 16.

| LIST AND INDEX NO. | PART NO. | DESCRIPTION | UNITS PER ASM. | | USABLE ON CODE |
|--------------------|----------|---|----------------|-------|----------------|
| | | | 1 | 2 3 4 | |
| | | SEQUENCE PANEL ASSEMBLY | | | |
| * 16 - | | CODE A USED ON 60 CYCLE MACHINES CODE B USED ON 50 CYCLE MACHINES CODE 1 USED ON ASM PRIOR TO F5 SUFFIX CODE 2 USED ON ASM FROM F5 TO S5 SUFFIX CODE 3 USED ON ASM FROM F5 TO CURRENT CODE 4 USED ON ASM PRIOR TO S5 SUFFIX CODE 5 USED ON ASM FROM S5 TO M6 SUFFIX CODE 6 USED ON ASM FROM S5 TO CURRENT CODE 7 USED ON ASM PRIOR TO M6 SUFFIX CODE 8 USED ON ASM M6 TO CURRENT | | | |
| - | 2180680 | PANEL ASSEMBLY, SEQUENCE, 60 CYCLE SEE LIST 1- 52 FOR NEXT HIGHER ASM. AND FIGURE 16 FOR ILLUSTRATION | REF | | A |
| - | 2180852 | PANEL ASSEMBLY, SEQUENCE, 50 CYCLE SEE LIST 1- 52 FOR NEXT HIGHER ASM. AND FIGURE 16 FOR ILLUSTRATION | REF | | B |
| * - 1 | 10170 | • SCREW-MACH,BIND HD NO. 6-32 X .250 LG SEE LIST 1- 1B FOR NEXT HIGHER ASM. | REF | | |
| * - 2 | 22478 | • WASHER, FLAT | 1 | | |
| * - 3 | 25627 | • SCREW,MACH-BIND HD 8-32 X 1/2 LG | 2 | | 7 |
| * - 3A | 25627 | • SCREW,MACH-BIND HD 8-32 X 1/2 LG SEE LIST 1- 2A FOR NEXT HIGHER ASM. | REF | | 6 |
| - 4 | 25627 | • SCREW,MACH-BIND HD 8-32 X 1/2 LG | 2 | | A |
| - 4 | 58207 | • SCREW,MACH BNDG HD 8-32 X 1/4 LG | 2 | | B |
| * - 4A | 38264 | • SCREW,MACH-FIL H 4-40 X 3/8 LG | REF | | 4 |
| * - 4A | 2181207 | • SCREW,THD FORMING-FIL H 6-32 X 1/4 LG SEE LIST 1- 4 FOR NEXT HIGHER ASM. | REF | | 6 |
| - 5 | 28413 | • SCREW,MACH BINDING HD 10-32 X 5/16 LG | 4 | | |
| * - 5A | 28413 | • SCREW,MACH-BIND HD 10-32 X 5/16 LG | 8 | | 4 |
| * - 5A | 236849 | • SCREW,BINDING HEAD MACHINE | 8 | | 5 |
| * - 6 | 34512 | • SCREW,BIND.HD 8-32 X .375 LG | 5 | | |
| * - 6A | 34512 | • SCREW,BIND.HD 8-32 X .375 LG SEE LIST 1- 2B FOR NEXT HIGHER ASM. | REF | | 6 |
| - 7 | 35739 | • SCREW, MACH-BIND HD NO. 6-32 X 15/16 LG | 4 | | |
| - 8 | 38235 | • SCREW,MACH-FIL H 6-32 X 5/16 LG | 4 | | |
| * - 8A | 38354 | • SCREW,MACH-FIL H 6-32 X 1/2 LG SEE LIST 1- 4A FOR NEXT HIGHER ASM. | REF | | |
| - 9 | 45690 | • WASHER, FLAT, 0.203 ID X 0.438 OD | 4 | | |
| - 10 | 54291 | • SPACER | 2 | | |
| - 11 | 55726 | • SCREW, MACH-BIND HD NO. 6-32 X 3/16 LG SEE LIST 1- 6 FOR NEXT HIGHER ASM. | REF | | |
| * - 12 | 55901 | • LOCKWASHER, EXTERNAL TOOTH | 5 | | |
| * - 12A | 55901 | • LOCKWASHER, EXTERNAL TOOTH | 2 | | 7 |
| * - 12B | 55901 | • LOCKWASHER, EXTERNAL TOOTH SEE LIST 1- 6A FOR NEXT HIGHER ASM. | REF | | 6 |
| - 13 | 56079 | • WASHER,LOCK-EXT TEETH NO. 10 X 0.410 OD | 2 | | |
| - 14 | 56121 | • WASHER,LOCK-INT TEETH NO. 10 X 0.381 OD | 2 | | |
| - 15 | 56722 | • WASHER,LOCK-EXT TEETH NO. 6 X 5/16 OD | 2 | | |
| * - 17 | 58207 | • SCREW,MACH-UNDRCT BIND HD 8-32 X 1/4 LG | 6 | | |
| * - 17A | 58207 | • SCREW,MACH-UNDRCT BIND HD 8-32 X 1/4 LG | 2 | | 7 |
| - 18 | 91610 | • SCREW,BINDING HD SELF TAPPING | 2 | | |
| - 19 | 104615 | • MOUNT-FUSE | 2 | | |
| - 20 | 107668 | • FUSE,CTG-SLOW BLOW 8 AMP 250V | 2 | | |
| - 20A | 111257 | • FUSE,CARTRIDGE- 4 AMP 250V | 1 | | 5 |
| * - 21 | 129243 | • JUMPER ASM-BLU 3-1/2 20AWG 1 LUG EA END | 23 | | 7 |
| * - 21 | 129243 | • JUMPER ASM-BLU 3-1/2 20AWG 1 LUG EA END SEE LIST 19-7, FOR COMPONENT PARTS | 24 | | 8 |
| - 22 | 138755 | • LABEL | 1 | | |
| - 23 | 151598 | • CLAMP, CABLE | 1 | | |
| - 24 | 179946 | • HOLDER-FUSE INDEX 25 DELETED | 1 | | 1 |
| * - 26 | 205331 | • JUMPER-RELAY GATES UNIT 1/8 BRASS | 21 | | 1 |
| * - 26 | 205331 | • JUMPER-RELAY GATES UNIT 1/8 BRASS | 20 | | 2 |
| * - 26 | 205331 | • JUMPER-RELAY GATES UNIT 1/8 BRASS | 18 | | 5 |
| * - 26 | 205331 | • JUMPER-RELAY GATES UNIT 1/8 BRASS | 17 | | 8 |
| - 27 | 207353 | • CAPACITOR, ELECTROLYTIC, 8 MFD 330VAC | 1 | | A |
| - 27 | 8010761 | • CAPACITOR, 18 MF | 1 | | B |
| - 28 | 217019 | • WASHER, INSULATING, 1 IN. DIA X 0.004THK | 4 | | |
| - 29 | 220278 | • SWITCH, ON-OFF, 115V-230V, 5AMP | 1 | | |
| - 30 | 221110 | • RESISTOR,200 OHM,P/M 5 PERCENT,25W | 1 | | |

| LIST AND INDEX NO. | PART NO. | DESCRIPTION | UNITS PER ASM. | USABLE ON CODE |
|--------------------|----------|--|----------------|----------------|
| | | 1 2 3 4 | | |
| | | SEQUENCE PANEL ASSEMBLY -CONT | | |
| * 16 - 31 | 236849 | . SCREW,BINDING HEAD MACHINE | 6 | 7 |
| * - 31 | 2181004 | . SCREW,THREAD FORMING-HEX WASHER HD | 6 | 8 |
| * - 31A | 28413 | . SCREW,MACH-BIND HD 10-32 X 5/16 LG | 2 | 7 |
| * - 31A | 236849 | . SCREW,BINDING HEAD MACHINE | 2 | 8 |
| * - 32 | 251970 | . SCREW-MACH BD. HD. 4-40 X 1/4 LG | 2 | 1 |
| * - 33 | 257189 | . NUT - HEX-8-32UNC THD | 2 | 7 |
| * - 34 | 257985 | . WASHER,FLAT-NO. 4 X 0.250 OD X 0.028 THK | 5 | 1 |
| * - 35 | 302090 | . TERMINAL BLOCK ASSY | 18 | |
| * - 36 | 303549 | . FUSE, SLOW BLOW, 1.0 AMP, 250 VOLT | 1 | |
| * - 37 | 304477 | . SCREW,MACH-RH 8-32 X 2-1/4 LG | 1 | 7 |
| * - 38 | 304479 | . SCREW,MACH-RH 8-32 X 4-3/4 LG | 1 | 1 |
| * - 39 | 308704 | . CLIP, MOLDING | 2 | |
| * - 40 | 311540 | . JUMPER ASM-BLK 8 IN. 16AWG 1 LUG EA END SEE LIST-19-3B, FOR COMPONENT PARTS | 3 | |
| * - 40A | 311540 | . JUMPER ASM-BLK 8 IN. 16AWG 1 LUG EA END SEE LIST 19- 3B FOR COMPONENT PARTS | 2 | 8 |
| - 41 | 316996 | . LUG | 2 | |
| - 42 | 317145 | . BLOCK, BARRIER TERMINAL | 1 | |
| * - 43 | 317193 | . TERMINAL BLOCK | 1 | 7 |
| - 44 | 317279 | . GROMMET,RUB-FOR 1 HOLE X 1/16 PNL | 3 | |
| * - 45 | 319985 | . JUMPER ASSEMBLY SEE LIST 19-18A, FOR COMPONENT PARTS | 3 | 7 |
| - 45A | 322065 | . SCREW,MACH-BIND HD 6-32 X 5/8 LG | 2 | 3 |
| - 46 | 322289 | . STRIP, MARKER, 1-4 | 1 | |
| - 47 | 322550 | . SCREW, MACH-BIND HD NO. 6-32 X 1/2 LG | 2 | |
| - 48 | 322739 | . RESISTOR, FXD 50 OHMS P/M 5% 50W | 1 | |
| - 49 | 322792 | . INSULATOR, TERMINAL BLOCK | 18 | |
| - 50 | 323845 | . TERMINAL BOARD- 4 DBL SCREW TERMINALS | 1 | 3 |
| - 51 | 328602 | . UNIT, RC | 2 | |
| * - 51A | 350559 | . JUMPER ASSEMBLY | 1 | 7 |
| - 52 | 359018 | . COVER,OUTLET BOX | 1 | |
| * - 53 | 359511 | . CAPACITOR ASSEMBLY | 1 | 4 |
| * - 54 | 359511 | . CAPACITOR ASSEMBLY | 2 | |
| * - 54A | 2102160 | . CAPACITOR, PAPER, 0.1 MFD P/M 20% 400V | 1 | |
| * - 55 | 360339 | . MARKER, TERMINAL | 1 | |
| * - 56 | 360831 | . CABLE SEE LIST 19-18, FOR COMPONENT PARTS | 2 | 7 |
| * - 56A | 362915 | . LABEL, IBM, BLACK LETTERS ON WHITE SEE LIST 1- 23 FOR NEXT HIGHER ASM. | REF | |
| * - 57 | 369207 | . LABEL-ENGLISH | 1 | 7 |
| * - 57A | 369207 | . LABEL-ENGLISH | 1 | 8 |
| * - 58 | 372688 | . CARD ASSEMBLY SEE LIST 1- 25 FOR NEXT HIGHER ASM. | REF | |
| * - 59 | 418835 | . OUTLET-CONVENIENCE,220V-50 CY | 1 | 1A |
| * - 59 | 357995 | . OUTLET-CONVENIENCE,125V-60 CY | 1 | 2A |
| * - 59 | 418835 | . OUTLET-CONVENIENCE,220V-50 CY | 1 | 5A |
| * - 59 | 357995 | . OUTLET-CONVENIENCE,125V-60 CY | 1 | 8A |
| * - 59 | 418835 | . OUTLET-CONVENIENCE,220V-50 CY | 1 | B |
| - 60 | 438550 | . SCREW,MACH-BIND HD 4-40 X 0.5 LG | 20 | |
| - 61 | 438567 | . SCREW,MACH-UNDRCT BIND HD 6-32 X 1 LG | 2 | 1 |
| - 61 | 438568 | . SCREW,MACH-UNDRCT BIND HD 6-32 X 1-1/8 | 2 | 3 |
| - 62 | 438571 | . SCREW, BINDING HEAD, 6-32 NC X 1-3/4 LG. | 2 | |
| - 63 | 438582 | . SCREW | 1 | |
| - 64 | 438588 | . SCREW,MACH-UNDRCT BIND HD 8-32 X 1-1/4 | 1 | 1 |
| - 64 | 438589 | . SCREW,MACH-BIND HD 8-32 X 1-1/2 LG | 1 | 3 |
| - 64A | 438891 | . SHIELD, CLEAR SAFETY, 4 POSITION | 1 | |
| - 65 | 442958 | . WASHER,MICA | 1 | |
| * - 65A | 472179 | . JUMPER ASSEMBLY NOT ILLUSTRATED | 2 | 2 |
| - 66 | 472187 | . JUMPER | 1 | |
| - 67 | 473582 | . INSULATOR | 2 | 1 |
| - 67 | 419131 | . SLEEVE,.195 I.D..275 O.D.X .050 THICK | 2 | 3 |
| - 68 | 480612 | . JUMPER ASSEMBLY, 2-3/4 IN. LONG | 1 | 1 |
| - 69 | 504698 | . SCREW,MACH-RH 8-32 X 4-1/4 LG | 1 | 7 |
| - 70 | 507144 | . WASHER,CENTERING | 4 | |
| - 71 | 509968 | . RESISTOR ASSEMBLY, 200 OHM 1/2W | 1 | |
| - 72 | 317006 | . RESISTOR,FXD,COMP- 200 OHMS P/M 5% 1/2W | 1 | |
| - 73 | 521695 | . WASHER,MICA | 2 | |
| - 74 | 524928 | . BRACKET,CAPACITOR MTG | 2 | A |
| - 74 | 4121202 | . CLAMP, CAPACITOR | 2 | B |
| - 75 | 526378 | . INSULATOR,CAPACITOR | 2 | A |

| LIST AND INDEX NO. | PART NO. | DESCRIPTION | UNITS PER ASM. | USABLE ON CODE |
|--------------------|----------|---|----------------|----------------|
| | | SEQUENCE PANEL ASSEMBLY -CONT | | |
| 16 - 75A | 561509 | . JUMPER ASSEMBLY | 1 | |
| * - 75A | 2181090 | . JUMPER ASSEMBLY | 1 | 5 |
| * - 76 | 589768 | . INSULATOR, TERMINAL BOARD | 1 | 7 |
| - 77 | 597215 | . JUMPER ASSY, GROUND 4-1/2 IN LG SEE LIST 19-18, FOR COMPONENT PARTS | 1 | |
| - 78 | 598479 | . RECTIFIER, SILICON | 2 | |
| - 79 | 603541 | . CAPACITOR ASSEMBLY | 2 | |
| - 80 | 535299 | . . CAPACITOR, 0.1 MFD P/M 10 PERCENT, 100VDCW | 1 | |
| * - 81 | 615354 | . DIODE ASSEMBLY | 1 | 1 |
| * - 81 | 2162849 | . DIODE ASM | 1 | 5 |
| * - 81 | 2162849 | . DIODE ASM | 9 | 5 |
| * - 81A | 615354 | . DIODE ASSEMBLY | 9 | 1 |
| * - 81A | 2162849 | . DIODE ASM | 9 | 3 |
| * - 81B | 2111232 | . . SEMICONDUCTOR DEVICE-DIODE USED ON ASM 615354 ONLY | 1 | |
| * - 81B | 241927 | . . SEMICONDUCTOR DEVICE-DIODE TYPE HF USED ON ASM 2162849 ONLY | 1 | |
| * - 82 | 730468 | . JUMPER-TERMINAL STRIP | 1 | 7 |
| - 83 | 740493 | . BRACKET, CARD MOUNTING SEE LIST 1- 28 FOR NEXT HIGHER ASM. | REF | |
| - 84 | 740550 | . JUMPER ASSEMBLY, 2-1/2 INCH SEE LIST 1- 29 FOR NEXT HIGHER ASM. | REF | |
| * - 85 | 801620 | . JUMPER-BLK 2.50 IN. 18AWG | 1 | 7 |
| * - 86 | 801645 | . CAPACITOR, ELECTROLYTIC, 5500 MFD 45VDC | 5 | 7 |
| * - 86 | 2181284 | . CAPACITOR, FXD, ELECTROLYTIC, 22000 MFD | 1 | 8 |
| - 87 | 803278 | . SCREW, MACH, RH 10-24 X 5/16 LG | 4 | |
| * - 88 | 1143227 | . BARRIER, JUMPER, | 1 | A |
| * - 88 | 1143227 | . BARRIER, JUMPER, | 1 | 4B |
| * - 88 | 472187 | . JUMPER-BRASS | 1 | 6B |
| - 89 | 2102710 | . RESISTOR ASSEMBLY, 10 OHM 1/2W | 1 | |
| - 90 | 321271 | . . RESISTOR, FXD, COMP- 10 OHMS P/M 5% 1/2W | 1 | |
| * - 91 | 2103070 | . RESISTOR ASSEMBLY, 330 OHM 1/2W | 1 | 4 |
| * - 92 | 2103070 | . RESISTOR ASSEMBLY, 330 OHM 1/2W | 5 | |
| * - 92A | 317248 | . . CONNECTOR, PLUG, ELEC- 2 FEMALE CONTACTS | 1 | |
| * - 93 | 2103102 | . CAPACITOR ASSEMBLY, 1MFD 200VDC | 2 | |
| - 94 | 2102374 | . . CAPACITOR, PAPER, 1.0 MFD P30/M20% 200V | 1 | |
| - 95 | 2103552 | . RESISTOR ASSEMBLY, 1K OHM, 2W | 2 | |
| * - 96 | 2103552 | . RESISTOR ASSEMBLY, 1K OHM, 2W | 1 | 8 |
| * - 96A | 317082 | . . RESISTOR, FXD, COMP- 1K P/M 5% 2W | 1 | |
| * - 97 | 2114054 | . JUMPER ASSEMBLY, 2-5/8 INCHES LONG SEE LIST 19-4B, FOR COMPONENT PARTS | 4 | 7 |
| - 98 | 2114312 | . STUD, MALE - FEMALE, 10-32 X .94 LONG | 2 | |
| - 99 | 2114480 | . JUMPER ASM | 1 | |
| * - 99A | 2124546 | . SEE LIST 19-3D, FOR COMPONENT PARTS . RESISTOR ASSEMBLY- 6.8 K 1/2 W | 1 | 4B |
| - 99B | 338320 | . CAPACITOR ASSEMBLY- 1 MFD 600 VDC | 3 | |
| - 99C | 2114481 | . JUMPER ASSEMBLY | 1 | |
| * - 99D | 2114490 | . JUMPER ASSEMBLY, 5-1/2 INCHES LONG SEE LIST 19- 3D FOR COMPONENT PARTS | 1 | |
| * - 99E | 2125765 | . LOCKWASHER, DISHED SEE LIST 1- 30 FOR NEXT HIGHER ASM. | REF | |
| * -100 | 2129359 | . RESISTOR ASSEMBLY, 300 OHMS 1/2 WATT | 1 | 8 |
| * -100A | 317008 | . . RESISTOR, FXD- 300 OHMS 1/2 WATT | 1 | |
| -101 | 2129362 | . RESISTOR ASSEMBLY, 150 OHM 10 W | 4 | |
| -102 | 2102625 | . . RESISTOR, FXD, W/W 150 OHM P/M 5% 10W | 1 | |
| -103 | 2130557 | . RESISTOR ASSEMBLY, 5.6K OHM, 1/2W | 1 | |
| -104 | 317430 | . . RESISTOR | 1 | |
| * -104A | 2152818 | . JUMPER ASSEMBLY | 1 | 7 |
| * -105 | 2154687 | . RELAY, ARMATURE, 3PDT, 36VDC | 2 | |
| * -105A | 2154687 | . RELAY, ARMATURE, 3PDT, 36VDC | 1 | 7 |
| * -105B | 2154687 | . RELAY, ARMATURE, 3PDT, 36VDC | 1 | 7 |
| * -105B | 2218668 | . RELAY, ARMATURE, 3PDT 36VDC | 1 | 8 |
| -106 | 2154914 | . RESISTOR ASM | 4 | |
| -107 | 595261 | . . RESISTOR, FXD, WW- 20 OHMS P/M 5% 10W | 1 | |
| -108 | 2154915 | . CAPACITOR ASSEMBLY | 1 | |
| -109 | 2109462 | . . CAPACITOR, ELECT., 250 MFD P/M 10% 50 V | 1 | |
| -110 | 2157392 | . RESISTOR ASSEMBLY, 100 OHM 20W | 1 | |
| -111 | 285955 | . . RESISTOR, FXD, WW- 100 OHMS 20W | 1 | |
| -112 | 2160789 | . RELAY, MOTOR, 36 VOLT 25 AMP | 1 | |
| -113 | 2160790 | . CHOKE ASSEMBLY, TOROID | 1 | |
| -114 | 2160804 | . . CHOKE, RF FILTER | 1 | |
| -115 | 2160805 | . CAPACITOR ASSEMBLY, 0.1UF 600VDC | 3 | |
| -116 | 286531 | . . CAPACITOR, PAPER, 0.01 MFD P/M 20% 600V | 1 | |
| * -117 | 2160808 | . RESISTOR ASSEMBLY, 47 OHM 2W | 1 | 4 |
| * -117 | 2160808 | . RESISTOR ASSEMBLY, 47 OHM 2W | 2 | 6 |

SEQUENCE PANEL ASSEMBLY -CONT

| | | | | | |
|----|------|---------|--|-----|----|
| 16 | -118 | 335329 | . . RESISTOR, FIXED 47 OHM 2 W | 1 | |
| | -119 | 2160826 | . RESISTOR ASSEMBLY, 10 OHM 50VDC 2W | 1 | |
| | -120 | 317077 | . . RESISTOR, FXD, COMP, 10 OHM P/M 5% 2W | 1 | |
| | -121 | 2160847 | . COVER, SAFETY | 1 | |
| | -122 | 2178420 | . TRANSFORMER ASM | 1 | 7A |
| * | -122 | 2181332 | . TRANSFORMER ASSEMBLY, 36V 60 CYCLE | 1 | 8A |
| * | -122 | 4117458 | . TRANSFORMER ASSEMBLY | 1 | 78 |
| * | -122 | 2181258 | . TRANSFORMER ASSEMBLY, 36V 50 CYCLE | 1 | 8B |
| | -123 | 2178516 | . JUMPER ASSEMBLY, 8-1/2 INCHES LONG SEE LIST 19-3C, FOR COMPONENT PARTS | 1 | |
| * | -124 | 2178523 | . JUMPER ASSEMBLY, 12-1/2 INCHES LONG | 2 | 7 |
| | -125 | 2180677 | . PANEL, SEQUENCE | 1 | |
| | -126 | 2180678 | . HOUSING, SIDE PANEL | 1 | |
| | -127 | 2180681 | . CABLE ASSEMBLY, AC JUMPER SEE LIST 19-3, 3B, 3C, 4B, 5B, 17A, 18, 40 AND 75 FOR COMPONENT PARTS | 1 | A |
| | -127 | 2180854 | . CABLE ASSY., AC JUMPER, 50 CYCLE SEE LIST 19-3, 3B, 3C, 3E, 4B, 5, 5B, 5C, 17A, 18, 40 AND 75 FOR COMPONENT PARTS | 1 | B |
| | -128 | 2180682 | . CABLE ASSEMBLY, SEQUENCE PANEL TO GATE SEE LIST 19-6B, 6D, 7A, 20, 55 AND 62 FOR COMPONENT PARTS | 1 | |
| | -129 | 2180685 | . CABLE ASSEMBLY, SEQUENCE PANEL JUMPER SEE LIST 19-6B, 6D, 7A, 7C, 8A, 10, 10A, 11, 11A, 57 AND 75 FOR COMPONENT PARTS | 1 | |
| | -130 | 2180686 | . CABLE ASSEMBLY, SOLENOID AND INTERLOCK SEE LIST 19-3C, 4, 6B, 6D, 7A, 21, 22, 23, 32, 35A, 56 AND 56A FOR COMPONENT PARTS | 1 | |
| | -131 | 2180688 | . CABLE ASSEMBLY, AC INPUT JUMPER SEE LIST 19-3, 4B, 5B AND 41 FOR COMPONENT PARTS | 1 | A |
| | -131 | 2180853 | . CABLE ASSY., AC INPUT JUMPER, 50 CYCLE SEE LIST 19-3, 4B, 5B AND 41 FOR COMPONENT PARTS | 1 | B |
| | -132 | 2180691 | . CABLE ASSEMBLY, DC TO GATE SEE LIST 1- 55 FOR NEXT HIGHER ASM. AND LIST 19-3, 3B, 3E, 10A, 20, 43, 43A, 43B, 44, 46, 49, 52, 55 AND 62 FOR COMPONENT PARTS | REF | |
| | -133 | 2180692 | . CABLE ASSEMBLY, SIGNAL PLUG TO GATE SEE LIST 1- 56 FOR NEXT HIGHER ASM. AND LIST 19-9A, 9B, 10, 20, 25, 26, 55 AND 62 FOR COMPONENT PARTS | REF | 4 |
| * | -133 | 2181189 | . CABLE ASSEMBLY-SIGNAL PLUG TO GATE SEE LIST 1- 56 FOR NEXT HIGHER ASM. AND LIST 19-10A, 10B, 11B, 20, 55, 62, 63 AND 63A FOR COMPONENT PARTS | REF | 6 |
| * | -134 | 2180753 | . SHIELD, TRANSFORMER | 1 | 7A |
| * | -135 | 2180755 | . SHIELD, 4.250 X 7.00 | 1 | 7 |
| * | -136 | 2180841 | . CLAMP, CAPACITOR | 1 | 7 |
| * | -137 | 2180842 | . CLAMP, CAPACITOR | 1 | 7 |
| * | -138 | 2180843 | . BRACKET, DIODE MOUNTING | 1 | 7 |
| * | -138 | 2181388 | . HEAT SINK, DIODE | 1 | 8 |
| | -139 | 2180969 | . JUMPER ASSEMBLY, 12 INCHES LONG SEE LIST 19-3, FOR COMPONENT PARTS | 1 | |
| * | -140 | 2180970 | . JUMPER ASSEMBLY, 7-1/4 INCHES LONG SEE LIST 19-4B, FOR COMPONENT PARTS | 1 | 7 |
| * | -141 | 2180977 | . JUMPER ASSEMBLY, 8 INCHES LONG SEE LIST 19-4B, FOR COMPONENT PARTS | 1 | 7B |
| * | -142 | 2180978 | . JUMPER ASSEMBLY, 5 INCHES LONG SEE LIST 19-3C AND 3D FOR COMPONENT PARTS | 1 | 7A |
| * | -143 | 2181013 | . JUMPER ASSEMBLY | 1 | 3 |
| | -143 | 5308492 | . RESISTOR ASSEMBLY- 750 OHMS 1/2 WATT | 2 | 7 |
| * | -144 | 2181092 | . LABEL | 1 | 2 |
| * | -144 | 2181092 | . LABEL | 1 | 8 |
| * | -145 | 2181199 | . CLIP-STRAIN RELIEF | REF | 6 |
| * | -146 | 2181204 | . JUMPER ASSEMBLY | REF | 6 |
| * | -147 | 2181205 | . JUMPER ASM-GRN/YEL 1 LUG 2 SOCK CONTACTS | REF | 6 |
| * | -148 | 2181206 | . BAR, ADAPTER | REF | 6 |
| * | -149 | 2181277 | . INDUCTOR ASSEMBLY, 100 UH | 1 | 8 |
| * | -150 | 491292 | . . INDUCTOR, FXD- 100 UH | 1 | |
| * | -151 | 2181334 | . JUMPER ASSEMBLY | 2 | 8 |
| * | -152 | 5212727 | . CLAMP, CAPACITOR | 1 | 8 |
| * | -153 | 5308492 | . RESISTOR ASSEMBLY- 750 OHMS 1/2 WATT | 1 | 7 |
| * | -154 | 5308492 | . RESISTOR ASSEMBLY- 750 OHMS 1/2 WATT | 2 | |
| * | -155 | 317015 | . . RESISTOR, FXD, COMP- 750 OHMS P/M 5% 1/2W | 1 | |
| * | -156 | NO NO. | . CABLE CLAMP, SEE LIST 19-2 | AR | |

FOR PARTS
NOT SHOWN
SEE FIG. 1

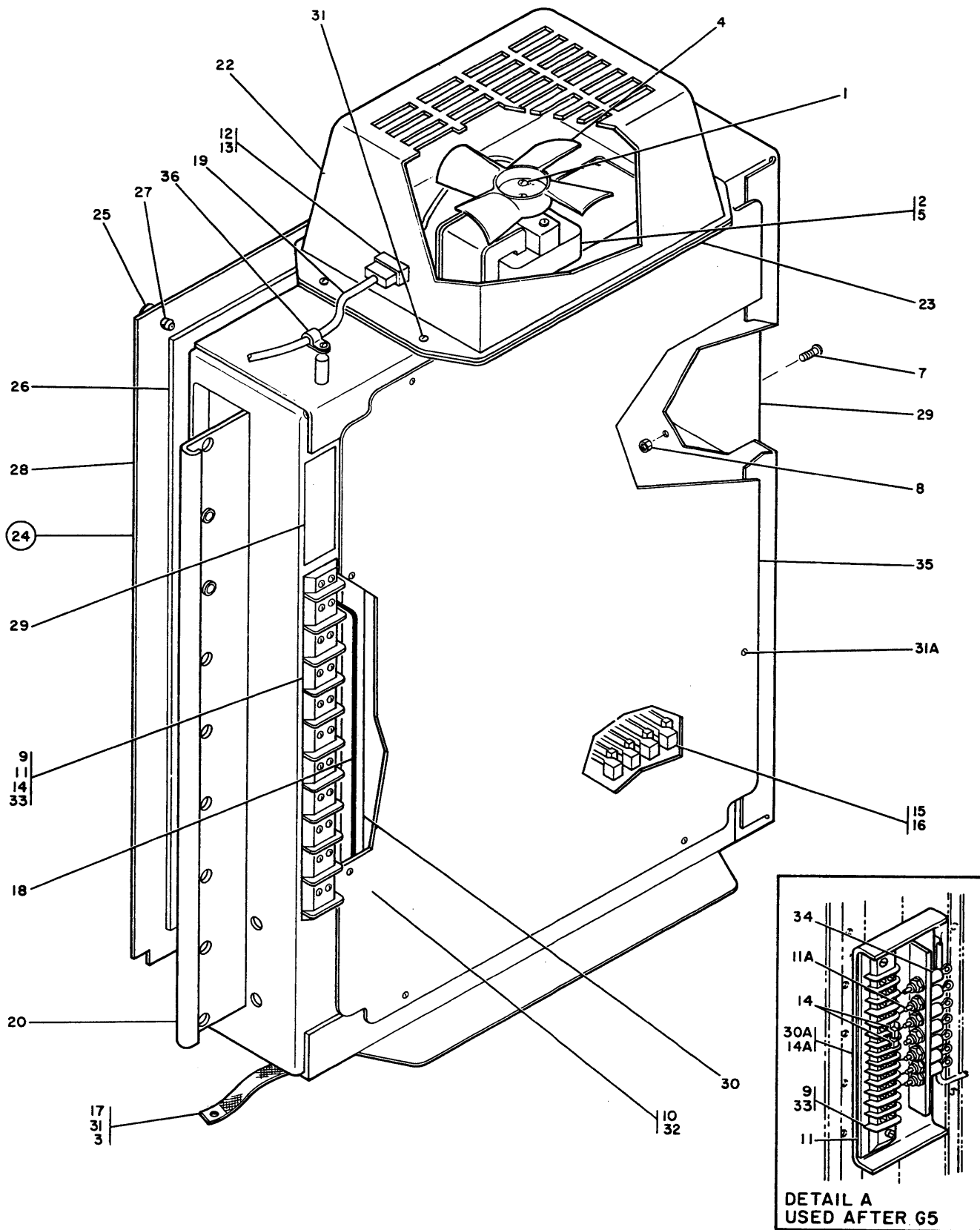


FIGURE 17. GATE ASSEMBLY. SEE LIST 17.

| LIST AND INDEX NO. | PART NO. | DESCRIPTION | UNITS | USABLE |
|--------------------------|-------------|--|-------------|------------|
| | | | PER ASM. | ON CODE |
| | | GATE ASSEMBLY | | |
| * 17 - | | CODE 1 USED ON ASM PRIOR TO G5 SUFFIX CODE 2 USED ON ASM FROM G5 TO A6 SUFFIX | | |
| * - | 2180740 | GATE ASSEMBLY USED ON MACHINES PRIOR TO A6 SUFFIX SEE LIST 1- 61 FOR NEXT HIGHER ASM AND FIGURE 17 FOR ILLUSTRATION | REF | |
| * - 1 | 2863 | . SCREW, MACH-RH 3-48 X 0.250 LG | 2 | 1 |
| * - 2 | 32042 | . SCREW, MACH BIND. HD 10-32 X 3/8 LG. | 2 | 1 |
| * - 3 | 56722 | . WASHER, LOCK-EXT T .141 ID | 1 | 1 |
| * - 3 | 2125765 | . LOCKWASHER, DISHED | 1 | 2 |
| * - 4 | 171485 | . BLADE, FAN | 1 | 1 |
| * - 5 | 172999 | . MOTOR- 230V AC INDEX 6 DELETED | 1 | 1 |
| - 7 | 234318 | . SCREW, ASSEM WASH-FIL H 8-32 X 3/8 LG | 1 | |
| - 8 | 257189 | . NUT, HEX., 8-32 X 0.3438 W | 1 | |
| - 9 | 320451 | . STRIP, BARRIER TERMINAL | 1 | |
| - 10 | 344015 | . NUT, STOP 6-32 X 5/16 FL W | 2 | |
| - 11 | 550578 | . STRIP, MARKER | 1 | |
| * - 11A | 596481 | . JUMPER ASSEMBLY | 7 | 2 |
| * - 12 | 609687 | . CONTACT | 2 | 1 |
| * - 13 | 725558 | . COVER-CONNECTOR | 1 | 1 |
| * - 14 | 730468 | . JUMPER-TERMINAL STRIP | 2 | 2 |
| * - 14A | 81693 | . SCREW, MACH-BIND HD 6-32 X 3/8 LG USED ON FIELD MODIFIED MACHINE ONLY | 4 | 2 |
| * - 14A | 2181005 | . SCREW, SELF TAPPING, 6-32 X .375 LG. | 4 | 2 |
| - 15 | 811804 | . GUIDE, CARD | 16 | |
| - 16 | 813621 | . POST, GUIDE | 19 | |
| - 17 | 2101089 | . STRAP, GROUND, 518 X 7 IN. | 1 | |
| - 18 | 2180683 | . CABLE ASSEMBLY, GATE DC JUMPER SEE LIST 19-4, 29, 30, 65, 66 AND 66A FOR COMPONENT PARTS | 1 | |
| * - 19 | 2180689 | . CABLE ASSEMBLY-GATE FAN SEE LIST 19-5, 22, 23, 56 AND 56A FOR COMPONENT PARTS | 1 | 1 |
| - 20 | 2180720 | . GATE WELDMENT ASSEMBLY INDEX 21 DELETED | 1 | |
| * - 22 | 2180721 | . ENCLOSURE, FAN | 1 | 1 |
| * - 23 | 2180722 | . PLATE, FAN ENCLOSURE | 1 | 1 |
| - 24 | 2180744 | . COVER ASSEMBLY, GATE | 1 | |
| - 25 | 2178597 | . . PLUNGER, NYLATCH | 2 | |
| - 26 | 2180727 | . . FOAM, 9 X 12, .13 THICK | 1 | |
| - 27 | 2180733 | . . GROMMET, COVER LATCH | 2 | |
| - 28 | 2180974 | . . COVER, SLT GATE | 1 | |
| - 29 | 2180797 | . DECAL, DC TB AND TEST POINTS | 1 | |
| - 30 | 2180972 | . CLAMP, PADDLE CONNECTOR, SLT | 1 | |
| * - 30A | 2180933 | . BALL-SPOOL PLUG | 1 | 2 |
| * - 31 | 2181005 | . SCREW, SELF TAPPING, 6-32 X .375 LG. | 5 | 1 |
| * - 31 | 2181005 | . SCREW, SELF TAPPING, 6-32 X .375 LG. | 1 | 2 |
| * - 31A | 2181005 | . SCREW, SELF TAPPING, 6-32 X .375 LG. | 6 | 1 |
| * - 31A | 811417 | . SCREW, HEX SOCKET H- 6-32 X 1/2 LG | 6 | 2 |
| * - 32 | 2181006 | . SCREW, SELF TAPPING, 6-32 X 1.00 LG. | 2 | 1 |
| * - 32 | 2181088 | . SCREW | 2 | 2 |
| * - 33 | 2181007 | . SCREW, SELF TAPPING, 6-32 X .625 LG. | 4 | 1 |
| * - 33 | 2181007 | . SCREW, SELF TAPPING, 6-32 X .625 LG. | 2 | 2 |
| * - 34 | 2192509 | . CAPACATOR, FXD-0.1 UF100V | 7 | 2 |
| * - 35 | 5811144 | . BOARD, SLT-01A-B1 | 1 | |
| * - 36 | NO NO. | . CABLE CLAMP, SEE LIST 19-2 | AR | 1 |

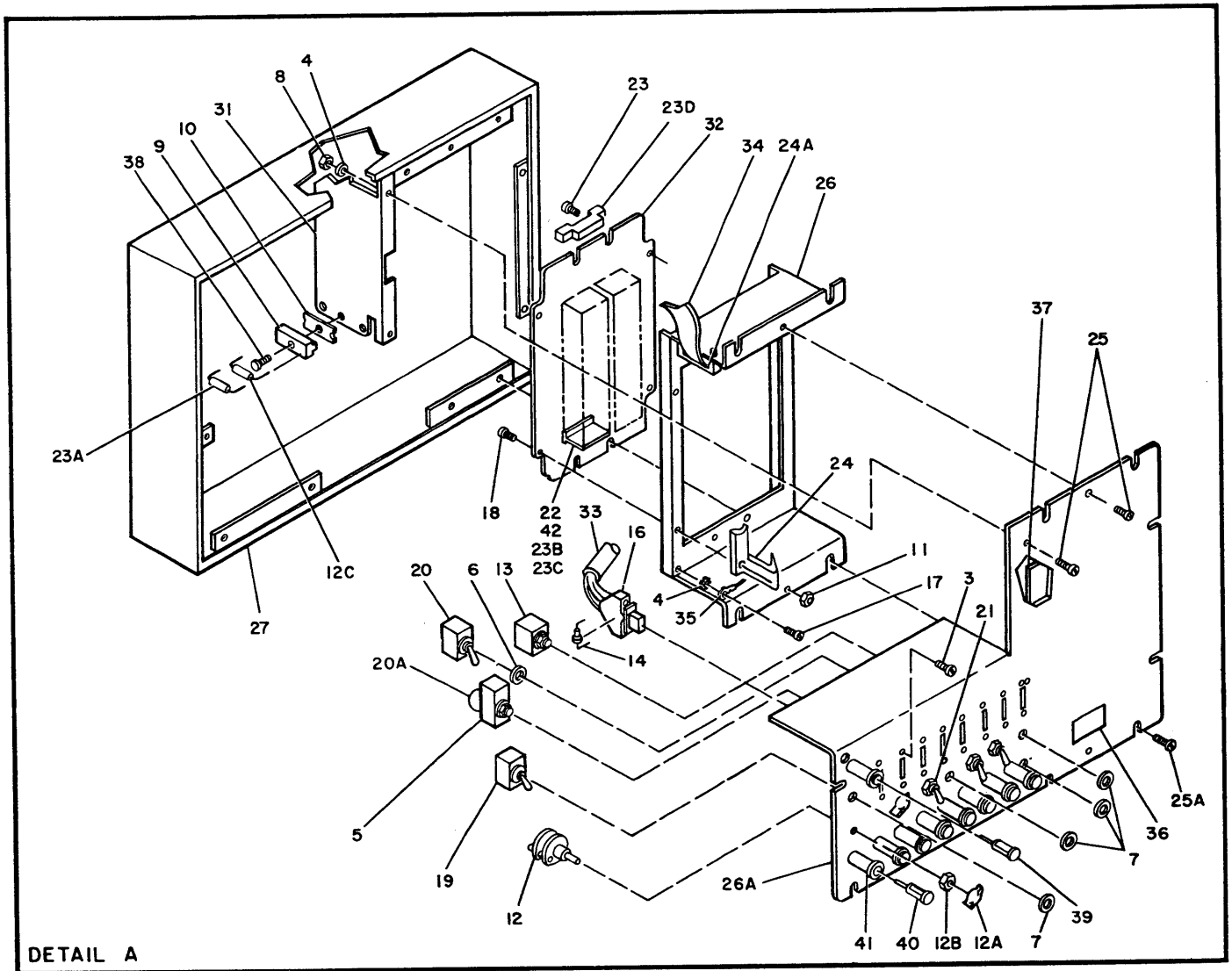
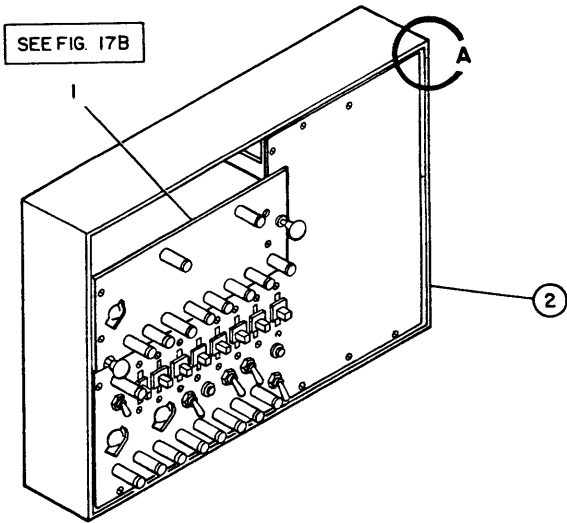


FIGURE 17A. C.E. BOX ASSEMBLY. SEE LIST 17A.

| 17A- | | C.E. BOX ASSEMBLY. | REF |
|------|-------------|--|-----|
| | | <p>CODE 1 USED ON ASM PRIOR TO M5 SUFFIX CODE 2 USED ON ASM FROM M5 TO P5 SUFFIX CODE 3 USED ON ASM FROM M5 TO CURRENT CODE 4 USED ON ASM PRIOR TO P5 SUFFIX CODE 5 USED ON ASM FROM P5 TO CURRENT CODE 6 USED ON ASM PRIOR TO E6 SUFFIX CODE 7 USED ON ASM FROM E6 TO CURRENT CODE 8 USED ON ASM PRIOR TO H6 SUFFIX CODE 9 USED ON ASM FROM H6 TO CURRENT</p> | |
| | 2200012 | CE BOX ASSEMBLY | |
| | | SEE FIGURE 17A FOR ILLUSTRATION | |
| | 1 2200014 | INDICATOR BOX ASSEMBLY | 1 |
| | | SEE LIST 17B FOR DETAIL BREAKDOWN | |
| | 2 2200013 | CE BOX ASSEMBLY, CONTROL UNIT | 1 |
| | 3 10170 | SCREW-MACH,BIND HD NO. 6-32 X .250 LG | 16 |
| | 4 56722 | WASHER,LOCK-EXT T .141 ID | 3 |
| | 5 117184 | SWITCH,PUSH-NC 125V AC 1 AMP | 4 |
| | 6 725570 | SWITCH,PUSHBUTTON-SPDT 0.2 AMPS 30 VDC | 5 |
| | 7 159373 | WASHER,LOCK-EXT TEETH 15/32 ID X 3/4 OD | 7 |
| | 8 216323 | NUT, STEEL, CHROMIUM, | 1 |
| | 9 179744 | NUT,PLAIN,RD- 15/32-32 X 39/64 DIA | 3 |
| | 10 257187 | MACHINE SCREW HEXAGON | 1 |
| | 11 302090 | CONNECTOR,RECP,ELEC- 24 FEMALE CONTACTS | 1 |
| | 12 302131 | STRIP-TERMINAL BLOCK INSULATOR | 1 |
| | 13 344015 | NUT,SELF LKG,HEX- 6-32 X 5/16 FL W | 2 |
| | 14 354167 | SWITCH, ROTARY, 1 DECK, 1 POLE, 7 POS. | 1 |
| | 15 2181235 | SWITCH,ROTARY, 1 DECK, 1 POLE, 7 POS. | 6 |
| | 16A 317173 | KNOB-BAR TYPE WITH POINTER | 7 |
| | 17B 179743 | NUT,PLAIN,HEX- 15/32-32 X 9/16 FL W | 3 |
| | 18C 358789 | RESISTOR ASSEMBLY | 3 |
| | 19 358844 | SWITCH,PUSH | 3 |
| | 20 369218 | SEMICONDUCTOR DEVICE, DIODE | 5 |
| | | INDEX 15 DELETED | |
| | 16 555049 | SWITCH,LEVER-SHORTING 2P 3 POS | 8 |
| | 17 731626 | SCREW, PAN HEAD, 6-32 X .25 LONG | 1 |
| | 18 731627 | SCREW, PAN HEAD, 6-32 X .75 LONG | 2 |
| | 19 811426 | SCREW,MACH-PAN HD 6-32 X 3/8 IN. LG | 1 |
| | 20 811417 | SCREW,HEX SOCKET H- 6-32 X 1/2 LG | 2 |
| | 21 734878 | SWITCH, TOGGLE, SPDT, CENTER OFF | 5 |
| | 22 738826 | SWITCH, TOGGLE | 1 |
| | 23A 740550 | JUMPER ASSEMBLY | 3 |
| | 24 765748 | SWITCH, TOGGLE | 1 |
| | 25 734879 | SWITCH, TOGGLE, DPDT, | 2 |
| | 26 811363 | EXTENDER, CARD, 6 PAC | 6 |
| | 27 811363 | EXTENDER, CARD, 6 PAC | 7 |
| | 28 811426 | SCREW,MACH-PAN HD 6-32 X 3/8 IN. LG | 10 |
| | 29 811417 | SCREW,HEX SOCKET H- 6-32 X 1/2 LG | 18 |
| | 30A 2100873 | RESISTOR ASM | 7 |
| | 31 811802 | GUIDE-CARD | 2 |
| | 32 811802 | GUIDE-CARD | 5 |
| | 33 813179 | CLAMP-BOARD | 1 |
| | 34 2180972 | CLAMP, PADDLE CONNECTOR, SLT | 1 |
| | 35A 2180973 | CLAMP, SLT CARD | 4 |
| | 36 2181005 | SCREW, SELF TAPPING, 6-32 X .375 LG. | 5 |
| | 37A 2181005 | SCREW, SELF TAPPING, 6-32 X .375 LG. | 1 |
| | 38 81693 | SCREW,MACH-BIND HD 6-32 X 3/8 LG | 4 |
| | 39 2181101 | BRACKET, BOARD MOUNTING | 6 |
| | 40 2181102 | PANEL, CE BOX | 7 |
| | 41 2181104 | CASE ASSEMBLY, CE BOX | 9 |
| | 42 2181141 | CASE ASSEMBLY-CE BOX | 7 |
| | | INDEXES 28 THRU 30 DELETED | |
| | 31 2181106 | PARTITION, CABLE | 1 |
| | 32 2181110 | BOARD ASSEMBLY | 1 |
| | 33 2181112 | CABLE ASSEMBLY, CE TEST BOX | 1 |
| | | SEE LIST 19-3C, 4D, 7A, 7C, 17, 20, 58, 62 AND 73 FOR COMPONENT PARTS | |
| | 34 2181113 | CABLE ASSEMBLY, CE BOX TO FILE | 1 |
| | | SEE LIST 19-20, 55, 73, 74, 76 AND 77 FOR COMPONENT PARTS | |
| | 35 2244951 | CABLE ASSEMBLY,CE BOX TO FILE | 8 |
| | 36 2181117 | JUMPER ASSEMBLY, 3-1/4 INCHES LONG | 9 |
| | 37 2181119 | SERIAL TAG, FILE TEST BOX | 1 |
| | 38 2181133 | FOAM, 9 X 6, .13 THICK | 1 |
| | 39 2191846 | SCREW-EDGE CONNECTOR MOUNTING | 1 |
| | 40 5353883 | INDICATOR ASSEMBLY,AMBER- 3 VOLT | 1 |
| | 41 5353887 | HOUSING, LAMP | 1 |
| | 42 5353889 | INDICATOR ASSEMBLY-3 VOLT | 9 |
| | 43 5700484 | SCREW, SELF TAPPING, 4-40 X .375 LG. | 8 |
| | | | 2 |

FOR PARTS
NOT SHOWN
SEE FIG. 17A

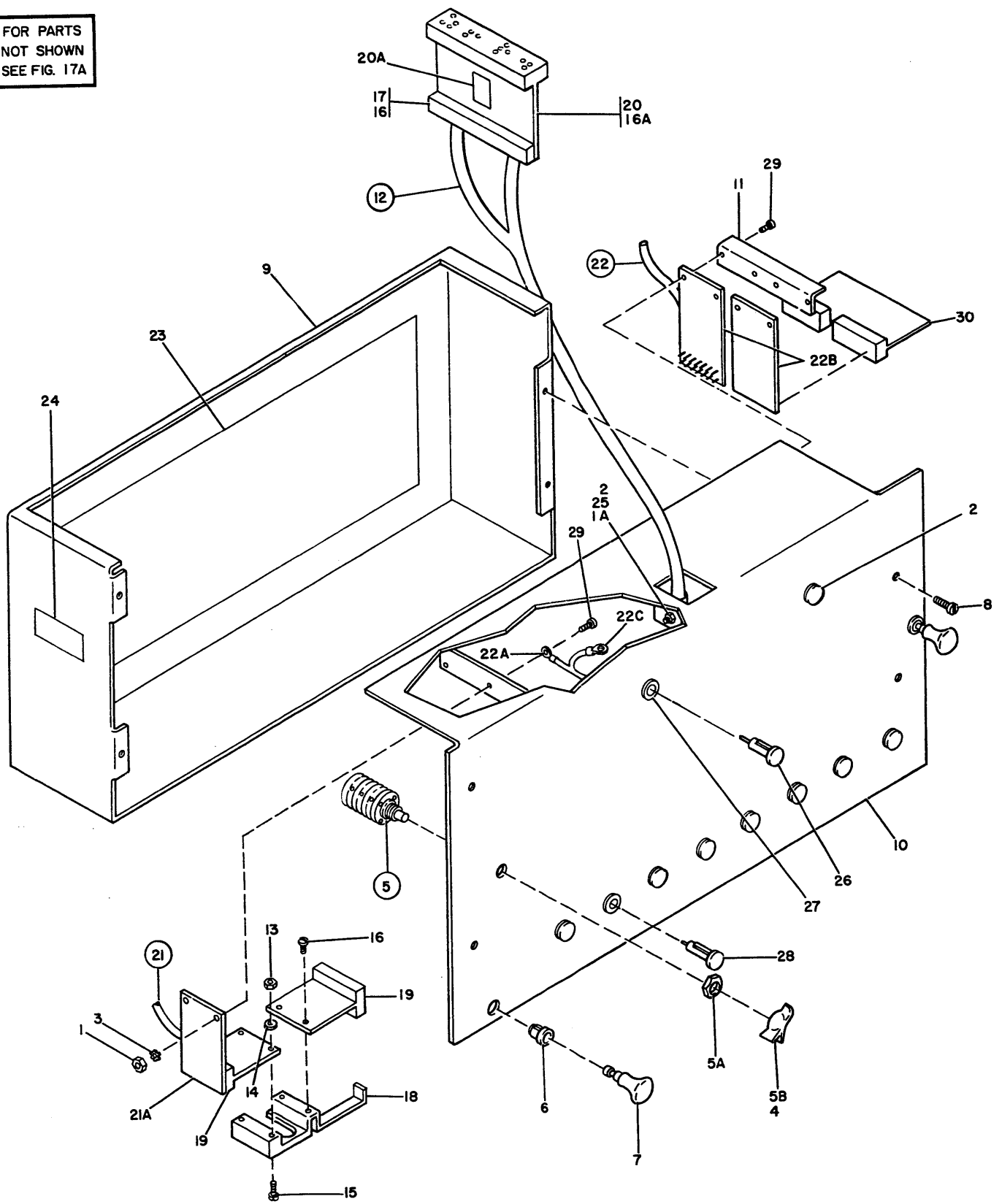


FIGURE 17B. INDICATOR BOX ASSEMBLY. SEE LIST 17B.

| LIST AND INDEX NO. | PART NO. | DESCRIPTION | UNITS PER ASM. | USABLE CN CODE |
|--------------------|----------|--|----------------|----------------|
| | | INDICATOR BOX ASSEMBLY. | | |
| * 17B- | | CODE 1 USED ON ASM PRIOR TO B6 SUFFIX CODE 2 USED ON ASM FROM B6 TO CURRENT CODE 3 USED ON ASM PRIOR TO E6 SUFFIX CODE 4 USED ON ASM FROM E6 TO CURRENT | | |
| * - | 2200014 | INDICATOR BOX ASSEMBLY SEE LIST 17- 1 FOR NEXT HIGHER ASM. AND FIGURE 17B FOR ILLUSTRATION | REF | |
| * - 1 | 37913 | . NUT, HEX., 4-40 X 1/4 W | 1 | |
| * - 1A | 55901 | . LOCKWASHER, EXTERNAL TOOTH | 1 | 4 |
| * - 2 | 257189 | . NUT, HEX., 8-32 X 0.3438 W | 1 | |
| * - 3 | 338169 | . WASHER, LOCK-EXT TEETH NO. 4 X 9/32 OD | 1 | |
| * - 4 | 317173 | . KNOB-BAR TYPE WITH POINTER | 1 | 2 |
| * - 5 | 2181234 | . SWITCH, ROTARY | 1 | 2 |
| * - 5 | 539691 | . SWITCH, 4 DECK, 16 POLE, 4 POSITION | 1 | 1 |
| * - 5A | 220032 | . . NUT, PLAIN, HEX- 3/8-32 X 1/2 FL W | 1 | 1 |
| * - 5B | 300793 | . . KNOB, SWITCH | 1 | 1 |
| * - 6 | 2178596 | . GROMMET, NYLATCH | 2 | |
| * - 7 | 2178597 | . PLUNGER, NYLATCH | 2 | |
| * - 8 | 2181005 | . SCREW, SELF TAPPING, 6-32 X .375 LG. | 4 | |
| * - 9 | 2181100 | . CHASSIS, INDICATOR BOX | 1 | |
| * - 10 | 2181103 | . PANEL, INDICATOR BOX | 1 | |
| * - 11 | 2181107 | . PLATE, SUPPORT | 2 | |
| * - 12 | 2244948 | . CABLE ASM.-CE BOX TO FILE BREAKDOWN NOT AVAILABLE | 1 | 4 |
| * - 12 | 2181114 | . CABLE ASSEMBLY, INDICATOR BOX TO FILE | 1 | 3 |
| * - 13 | 37913 | . . NUT, HEX., 4-40 X 1/4 W | 2 | |
| * - 14 | 150209 | . . LOCKWASHER | 2 | |
| * - 15 | 438552 | . . SCREW, MACH BINDING HD 4-40 X 3/4 LG | 2 | |
| * - 16 | 595720 | . . RIVET, ROLLED FLANGE | 6 | |
| * - 16A | 811804 | . . GUIDE, CARD | 1 | |
| * - 17 | 2180973 | . . CLAMP, SLT CARD | 2 | |
| * - 18 | 2181109 | . . SUPPORT, CARD | 1 | |
| * - 19 | 5800634 | . . CARD ASSEMBLY, SLT | 2 | |
| * - 20 | 5801246 | . . CARD ASSEMBLY, SLT | 1 | |
| * - 20A | 2181094 | . . LABEL, IDENTIFICATION | 1 | |
| * - 21 | 2181115 | . CABLE ASSY. SELECT SWITCH TO FILE CONN | 1 | |
| * - 21A | 812193 | . . BOARD, ETCHED, RT. ANGLE CONNECTOR | 1 | |
| * - 22 | 2181116 | . CABLE ASSY. IND. BOX CARD TO LAMPS. SW. | 1 | |
| * - 22A | 253453 | . . TERMINAL-RING, 22-26 AWG, #6 HOLE, INS | 1 | |
| * - 22B | 812193 | . . BOARD, ETCHED, RT. ANGLE CONNECTOR | 2 | |
| * - 22C | 5362301 | . . TERMINAL | 20 | |
| * - 23 | 2181129 | . LABEL, INDICATOR BOX LOGIC | 1 | |
| * - 24 | 2181132 | . SERIAL TAG, INDICATOR BOX | 1 | |
| * - 25 | 5319854 | . SCREW, SELF TAPPING, 8-32 X .375 LONG | 1 | |
| * - 26 | 5353883 | . INDICATOR ASSEMBLY, AMBER, 3 VOLT | 2 | |
| * - 27 | 5353887 | . HOUSING, LAMP | 10 | |
| * - 28 | 5353889 | . LAMP, CLEAR | 8 | |
| * - 29 | 5700484 | . SCREW, SELF TAPPING, 4-40 X .375 LG. | 6 | |
| * - 30 | 5801245 | . CARD ASSEMBLY, SLT | 1 | |

FOR PARTS
NOT SHOWN
SEE FIG. 1

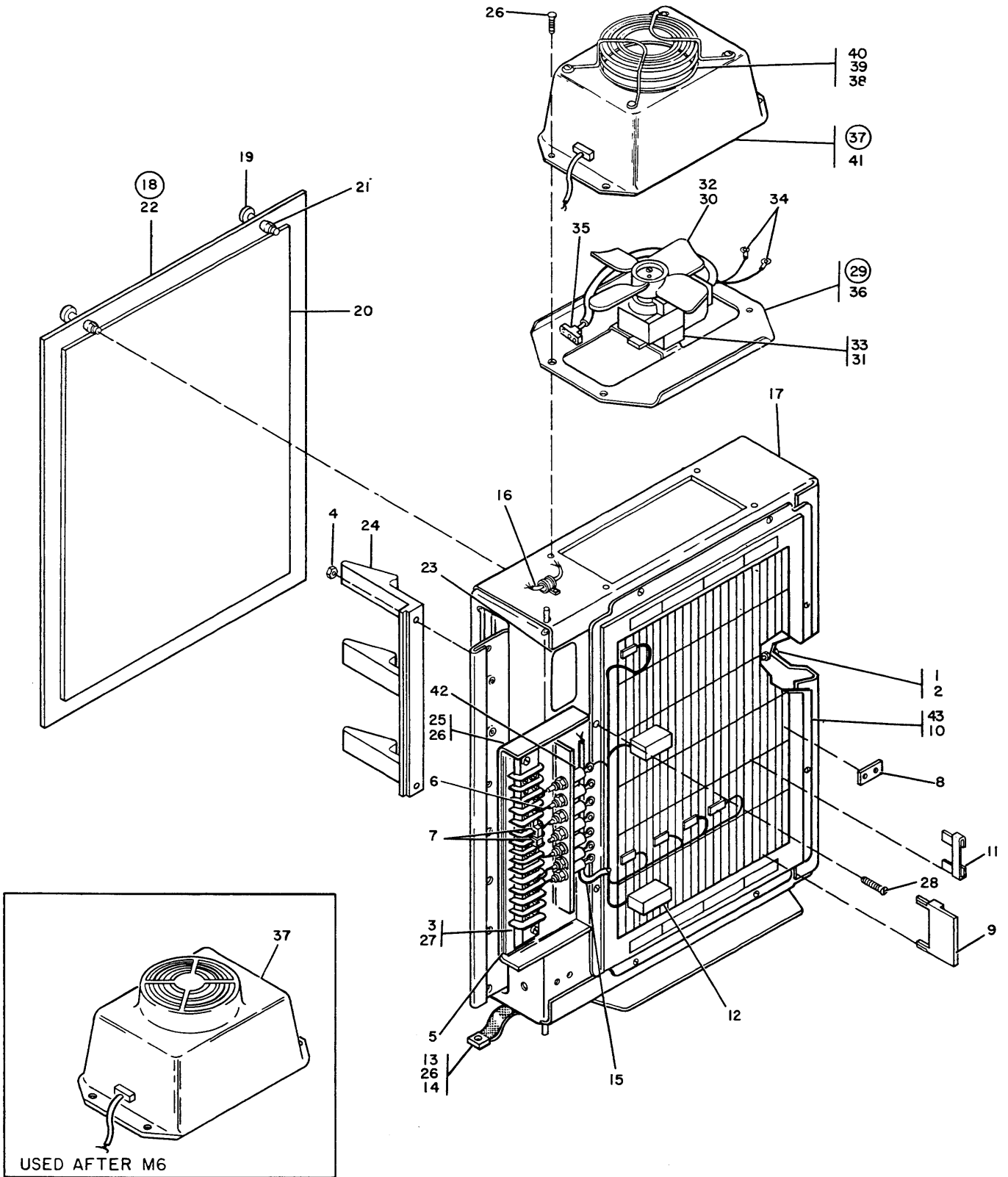


FIGURE 17C. GATE ASSEMBLY. SEE LIST 17C.

| LIST AND INDEX NO. | PART NO. | DESCRIPTION | UNITS PER ASM. | USABLE ON CODE |
|--------------------|----------|--|----------------|----------------|
| | | GATE ASSEMBLY | | |
| * 17C- | | CODE 1 USED ON ASM PRIOR TO S6 SUFFIX CODE 2 USED ON ASM FROM S6 TO CURRENT | | |
| * - | 2180740 | GATE ASSEMBLY USED ON MACHINES FROM A6 TO CURRENT SEE LIST 1- 61 FOR NEXT HIGHER ASM. AND FIGURE 17C FOR ILLUSTRATION | REF | |
| * - 1 | 234318 | . SCREW,ASMD WASHER-FIL H 8-32 X 3/8 LG | 1 | |
| * - 2 | 257189 | . NUT - HEX-8-32UNC THD | 1 | |
| * - 3 | 320451 | . TERMINAL BOARD- 10 DBL SCREW TERMINALS | 1 | |
| * - 4 | 344015 | . NUT,SELF LKG,HEX- 6-32 X 5/16 FL W | 2 | |
| * - 5 | 550578 | . MARKER STRIP- 10 POS NOS. 1 THRU 10 | 1 | |
| * - 6 | 596481 | . JUMPER ASSEMBLY | 7 | |
| * - 7 | 730468 | . JUMPER-TERMINAL STRIP | 2 | |
| * - 8 | 811090 | . LOCATOR-OVAL | 19 | |
| * - 9 | 811363 | . EXTENDER, CARD, 6 PAC | 1 | |
| * - 10 | 811417 | . SCREW,HEX SOCKET H- 6-32 X 1/2 LG | 6 | |
| * - 11 | 811804 | . GUIDE, CARD | 16 | |
| * - 12 | 813197 | . HOUSING-TERMINAL | 7 | |
| * - 13 | 2101089 | . STRAP,GROUND,518 X 7 IN. | 1 | |
| * - 14 | 2125765 | . LOCKWASHER, DISHED | 1 | |
| * - 15 | 2180683 | . CABLE ASSEMBLY, GATE DC JUMPER SEE LIST 19- 4, -29, -30, -65, -66 AND -66A FOR COMPONENT PARTS | 1 | |
| * - 16 | 2180689 | . CABLE ASSEMBLY-GATE FAN SEE LIST 19- 5, -22, -29, -56 -56 FOR COMPONENT PARTS | 1 | |
| * - 17 | 2180720 | . GATE WELDMENT ASSEMBLY | 1 | |
| * - 18 | 2180744 | . COVER ASSEMBLY, GATE | 1 | |
| * - 19 | 2178597 | . PLUNGER, NYLATCH | 2 | |
| * - 20 | 2180727 | . FOAM, 9 X 12, .13 THICK | 1 | |
| * - 21 | 2180733 | . GROMMET, COVER LATCH | 2 | |
| * - 22 | 2180974 | . COVER, SLT GATE | 1 | |
| * - 23 | 2180797 | . DECAL, DC TB AND TEST POINTS | 1 | |
| * - 24 | 2180972 | . CLAMP, PADDLE CONNECTOR, SLT | 1 | |
| * - 25 | 2180993 | . BRACKET | 1 | |
| * - 26 | 2181005 | . SCREW, SELF TAPPING, 6-32 X .375 LG. | 9 | |
| * - 27 | 2181007 | . SCREW, SELF TAPPING, 6-32 X .625 LG. | 2 | |
| * - 28 | 2181088 | . SCREW | 2 | |
| * - 29 | 2181385 | . FAN ASSEMBLY-GATE | 1 | |
| * - 30 | 2863 | . SCREW, MACH-RH 3-48 X 0.250 LG | 2 | |
| * - 31 | 32042 | . SCREW, MACH BIND. HD 10-32 X 3/8 LG. | 2 | |
| * - 32 | 171485 | . BLADE,FAN | 1 | |
| * - 33 | 172999 | . MOTOR- 230V AC | 1 | |
| * - 34 | 609687 | . CONTACT | 2 | |
| * - 35 | 725558 | . COVER-CONNECTOR | 1 | |
| * - 36 | 2181398 | . PLATE-FAN | 1 | |
| * - 37 | 2244018 | . HOUSING,FAN | 1 | 2 |
| * - 37 | 2181399 | . HOUSING ASSEMBLY, FAN FOLLOWING BREAKDOWN FOR ASM 2181399 ONLY | 1 | 1 |
| * - 38 | 72828 | . NUT,SELF LKG,HEX- 8-32 X 0.334 FL W | 4 | 1 |
| * - 38 | 45690 | . WASHER, FL - NO.10 X 7/16 OD X 1/32 THK | 4 | 2 |
| * - 39 | 186758 | . SCREW,MACH-BIND HD 8-32 X 7/16 LG | 4 | 1 |
| * - 39 | 2244021 | . FASTENER,PUSH | 4 | 2 |
| * - 40 | 597347 | . GUARD | 1 | |
| * - 41 | 2181331 | . HOUSING,FAN | 1 | |
| * - 42 | 2192509 | . CAPACATOR,FXD-0.1 UF100V | 7 | |
| * - 43 | 5811144 | . BOARD, SLT-01A-B1 | 1 | |

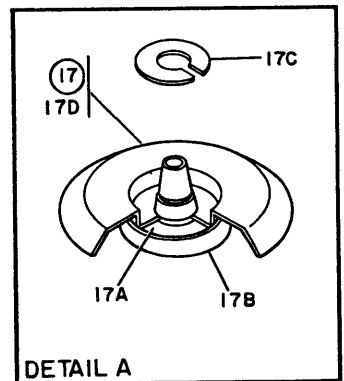
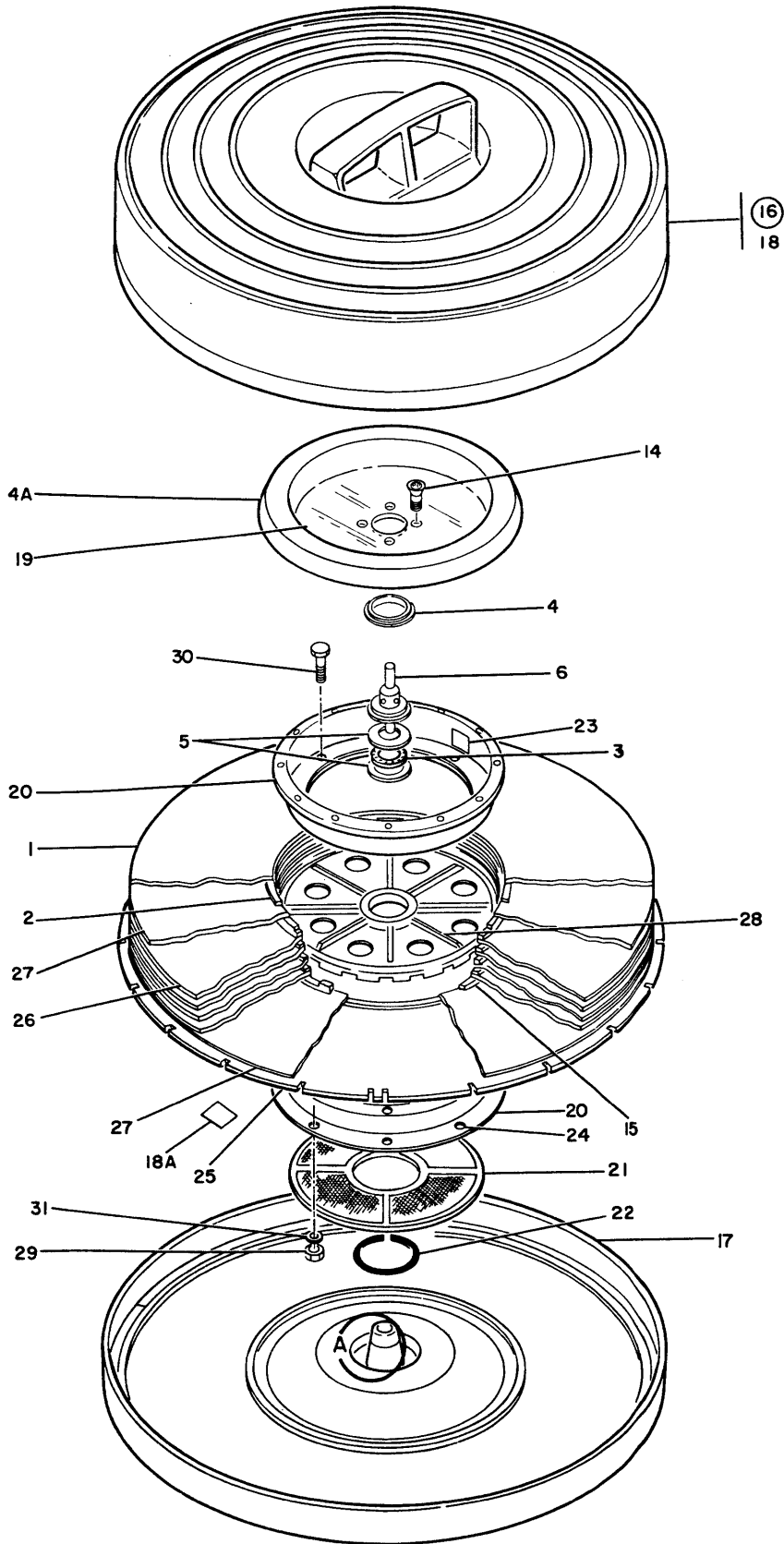


FIGURE 18. DISK PACK ASSEMBLY. SEE LIST 18.

| LIST AND INDEX NO. | PART NO. | DESCRIPTION | UNITS PER ASM. | USABLE ON CODE |
|--------------------|-------------|---|----------------|----------------|
| | | 1 2 3 4 | | |
| | | DISK PACK ASM | | |
| * 18 - | | CODE A USED ON RED DISK PACK ASM - FROM F5 TO CURRENT | | |
| * * | | CODE B USED ON YELLOW DISK PACK ASM | | |
| * * | | CODE 1 USED ON ASM PRIOR TO L6 SUFFIX | | |
| * * | | CODE 2 USED ON ASM FROM L6 TO CURRENT | | |
| * * | | CODE 3 USED ON ASM PRIOR TO B7 SUFFIX | | |
| * * | | CODE 4 USED ON ASM FROM B7 TO CURRENT | | |
| * - | 2162852 | PACK ASM, DISK | REF | A |
| * - | 2200018 | SEE FIGURE 18 FOR ILLUSTRATION PACK ASSEMBLY-DISK | REF | B |
| * - | 1 2154061 | SEE FIGURE 18 FOR ILLUSTRATION | | |
| * - | 2 2154069 | . DISK, TOP COVER | 1 | |
| * - | 3 2154096 | . SHIM, DISK PACK | 2 | |
| * - | 4 2154252 | . BALL RETAINER | 1 | |
| * - | 4A 2157651 | . BUSHING, DISK PACK SCREW | 1 | |
| * - | 4A 2218103 | . SHIELD, CE DISK PACK TRIM | 1 | 1A |
| * - | 4A 2162871 | . SHIELD, DISK PACK TRIM-RED | 1 | 2A |
| * - | 5 2160837 | . SHIELD, DISK PACK TRIM-YELLOW | 1 | B |
| * - | 5 2218117 | . WASHER, THRUST, 1.180 OD | 1 | 1 |
| * - | 6 2160846 | . WASHER, THRUST | 2 | 2 |
| * - | 14 2160861 | . SCREW ASSEMBLY, DISK PACK LOCKING | 1 | |
| * - | 14 251970 | PARTS OF THIS ASM ARE NOT REPLACEABLE | | |
| * - | 15 2162559 | . SCREW, FLAT HD, 4-40 X 1/4 LG | 4 | 1 |
| * - | 16 2162663 | . SCREW-MACH BD. HD. 4-40 X 1/4 LG | 4 | 2 |
| * - | 17 2157683 | . SPACER, DISK PACK | 4 | |
| * - | 17 2244031 | . COVER ASSEMBLY, DISK PACK | 1 | |
| * - | 17A 2157682 | . COVER ASSEMBLY, DISK PACK BOTTOM | 1 | 3 |
| * - | 17B 2244027 | . COVER ASSEMBLY, DISK PACK TOP | 1 | 4 |
| * - | 17C 2244028 | . . . WASHER, BEARING | 1 | 4 |
| * - | 17D 2244038 | . . . KNOB | 1 | 4 |
| * - | 18 2157684 | . . . WASHER, RETAINING | 1 | 4 |
| * - | 18A 2162691 | . . . COVER, DISK PACK, BOTTOM | 1 | 4 |
| * - | 18A 2162692 | . . . COVER ASSEMBLY, DISK PACK TOP | 1 | 4 |
| * - | 18A 2162891 | . SERIAL PLATE, SALE | AR | A |
| * - | 18A 2157673 | . SERIAL PLATE, LEASE | AR | 2A |
| | | . SERIAL TAG, DISK PACK | AR | B |
| | | . SERIAL TAG, DISK PACK-CE | | |
| | | SERIAL PLATES ARE NOT PART OF THIS ASSY. ORDER SEPARATELY, AS REQUIRED | | |
| - | 19 2162772 | . DECAL, DISK PACK | 1 | B |
| - | 20 2162836 | . CLAMP, RING DRUM | 2 | |
| - | 21 2162837 | . FILTER, DISK PACK | 1 | |
| - | 22 2162840 | . O RING | 1 | |
| - | 23 2162841 | . WEIGHT, BALANCE, DISK PACK | 1 | |
| - | 24 2162842 | . TRIM BUTTON, DISK PACK | 1 | |
| - | 25 2162854 | . DISK, SECTOR | 6 | |
| - | 26 2162857 | . DISK, COATED, CENTER | 1 | |
| - | 27 2162858 | . DISK, COATED, END | 4 | |
| - | 28 2162873 | . HUB, DISK PACK | 2 | |
| - | 29 2180870 | . NUT, SEMI-FINISHED HEXAGON, .25-20 LNC | 1 | |
| - | 30 2180871 | . SCREW, HEX CAP. 25-20 X 1.125 LONG | 6 | |
| - | 31 2180872 | . WASHER, .250 ID X .500 OD .400 THICK | 6 | |

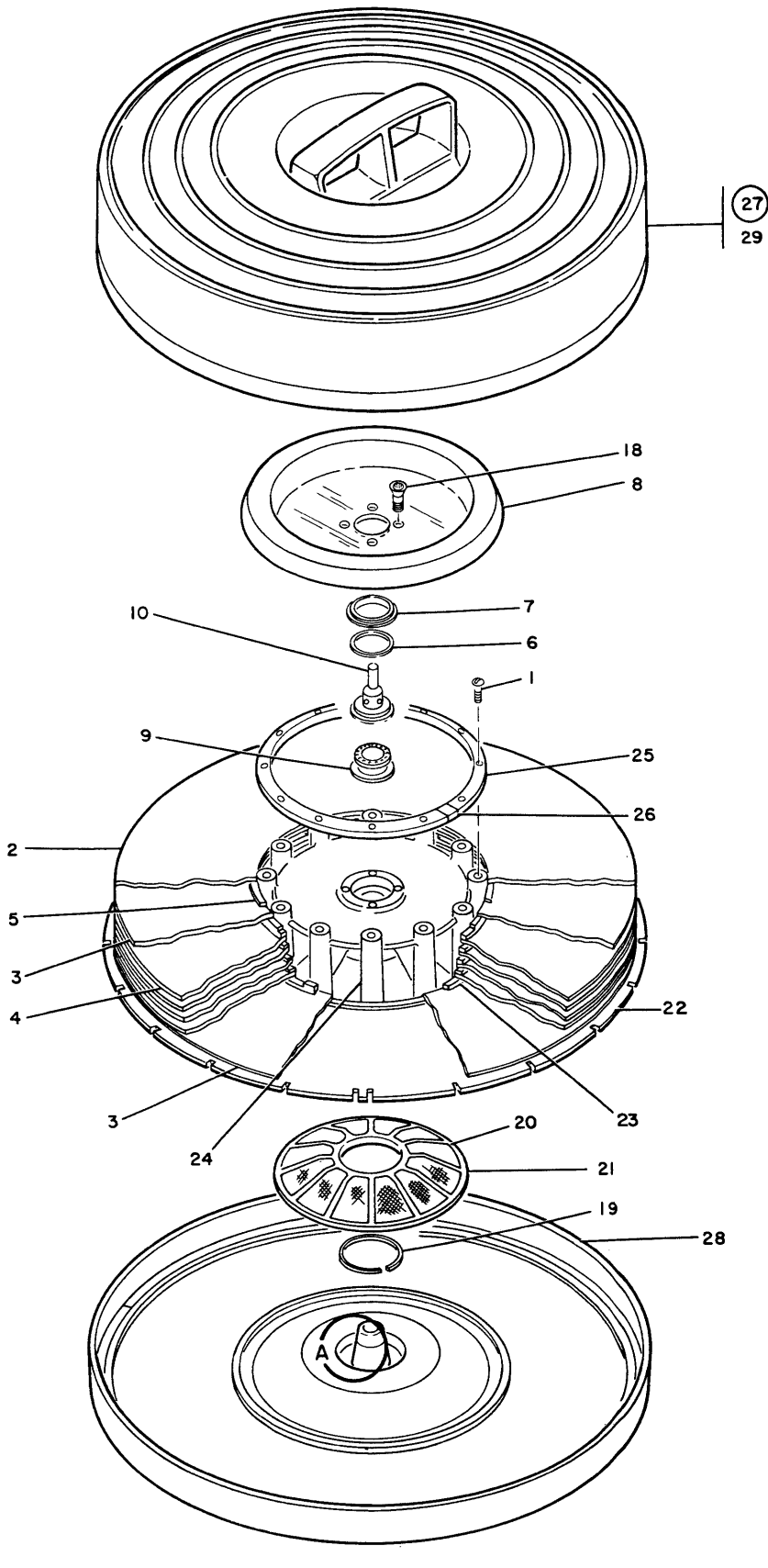


FIGURE 18A. DISK PACK ASSEMBLY. SEE LIST 18A.

| LIST AND INDEX NO. | PART NO. | DESCRIPTION | UNITS PER ASM. | USABLE ON CODE |
|--------------------|----------|---------------------------------------|----------------|----------------|
| | | 1 2 3 4 | | |
| | | DISK PACK ASSEMBLY | | |
| * 18A- | | CODE 1 USED ON ASM PRIOR TO B7 SUFFIX | | |
| * * | | CODE 2 USED ON ASM FROM B7 TO CURRENT | | |
| * * | | - | | |
| * - | 2162601 | PACK ASSEMBLY, DISK | REF | |
| | | SEE FIGURE 18A FOR ILLUSTRATION | | |
| - 1 | 38575 | . SCREW, MACH-RH 6-32 X 7/16 LG | 12 | |
| - 2 | 2154061 | . DISK, TOP COVER | 1 | |
| - 3 | 2154063 | . DISK, COATED END | 2 | |
| - 4 | 2154064 | . DISK, COATED CENTER | 4 | |
| - 5 | 2154069 | . SHIM, DISK PACK | 2 | |
| - 6 | 2154096 | . BALL RETAINER | 1 | |
| - 7 | 2154252 | . BUSHING, DISK PACK SCREW | 1 | |
| - 8 | 2157651 | . SHIELD, DISK PACK TRIM-RED | 1 | |
| - 9 | 2160837 | . WASHER, THRUST, 1.180 OD | 1 | |
| - 10 | 2160846 | . SCREW ASSEMBLY, DISK PACK LOCKING | 1 | |
| | | PARTS OF THIS ASM ARE NOT REPLACEABLE | | |
| - 18 | 2160861 | . SCREW, FLAT HD, 4-40 X 1/4 LG | 4 | |
| - 19 | 2162529 | . RING, RETAINING | 1 | |
| - 20 | 2162552 | . ELEMENT, FILTER | 1 | |
| - 21 | 2162555 | . RETAINER, FILTER | 1 | |
| - 22 | 2162558 | . DISK, SECTOR | 1 | |
| - 23 | 2162559 | . SPACER, DISK PACK | 5 | |
| - 24 | 2162560 | . DRUM, DISK PACK | 1 | |
| - 25 | 2162563 | . RING, DISK PACK | 1 | |
| - 26 | 2162597 | . CLIP, DISK BALANCER | 1 | |
| - 27 | 2162663 | . COVER ASSEMBLY, DISK PACK | 1 | |
| * - 28 | 2157683 | . . COVER ASSEMBLY, DISK PACK BOTTOM | 1 | 1 |
| * - 28 | 2244031 | . . COVER ASSEMBLY, DISK PACK TOP | 1 | 2 |
| * - 28A | 2157682 | . . . WASHER, BEARING | 1 | 2 |
| * - 28B | 2244027 | KNOB | 1 | 2 |
| * - 28C | 2244028 | WASHER, RETAINING | 1 | 2 |
| * - 28D | 2244038 | COVER, DISK PACK, BOTTOM | 1 | 2 |
| - 29 | 2157684 | . . COVER ASSEMBLY, DISK PACK TOP | 1 | |

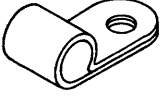

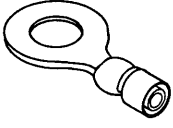
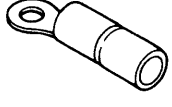
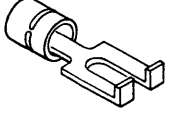
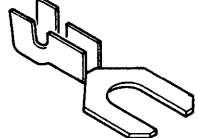
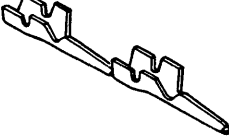
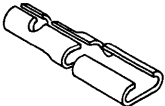
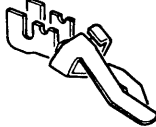
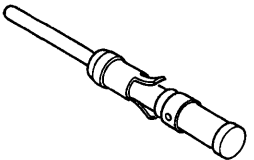
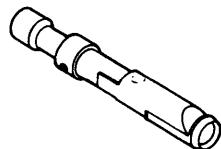
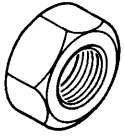
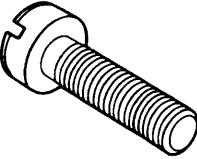

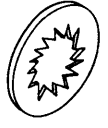
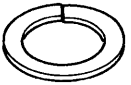
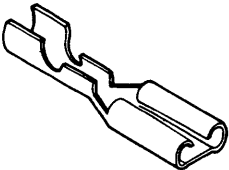

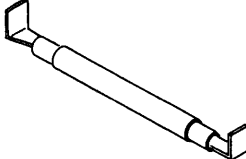
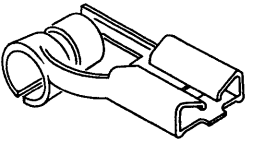
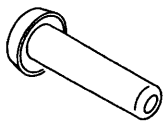
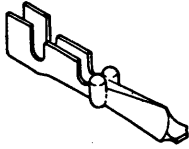
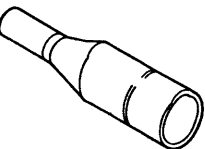

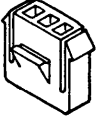
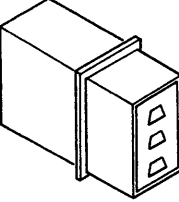
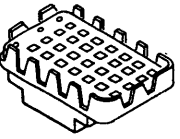
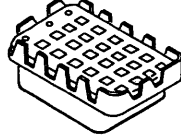
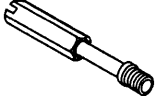
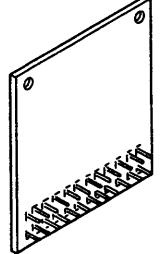
| | | | | |
|--|--|---|--|--|
|  <p>1</p> |  <p>2</p> |  <p>3, 3A THRU 3F</p> |  <p>4, 4A THRU 4D</p> |  <p>5, 5A THRU 5D</p> |
|  <p>6, 6A THRU 6D</p> |  <p>7, 7A THRU 7D</p> |  <p>8 AND 8A</p> |  <p>9, 9A AND 9B</p> |  <p>10, 10A AND 10B</p> |
|  <p>11, 11A AND 11B</p> |  <p>12</p> |  <p>13, 13A THRU 13D</p> |  <p>14</p> |  <p>15 AND 15A</p> |
|  <p>16 AND 16A</p> |  <p>17, 17A AND 17B</p> |  <p>18</p> |  <p>18A</p> |  <p>19</p> |
|  <p>20</p> |  <p>21</p> |  <p>21A</p> |  <p>22</p> |  <p>23</p> |
|  <p>24</p> |  <p>25</p> |  <p>26</p> |  <p>27</p> |  <p>28</p> |

FIGURE 19. CABLE AND JUMPER ASSEMBLY COMPONENT PARTS. SHEET 1 OF 3. SEE LIST 19.

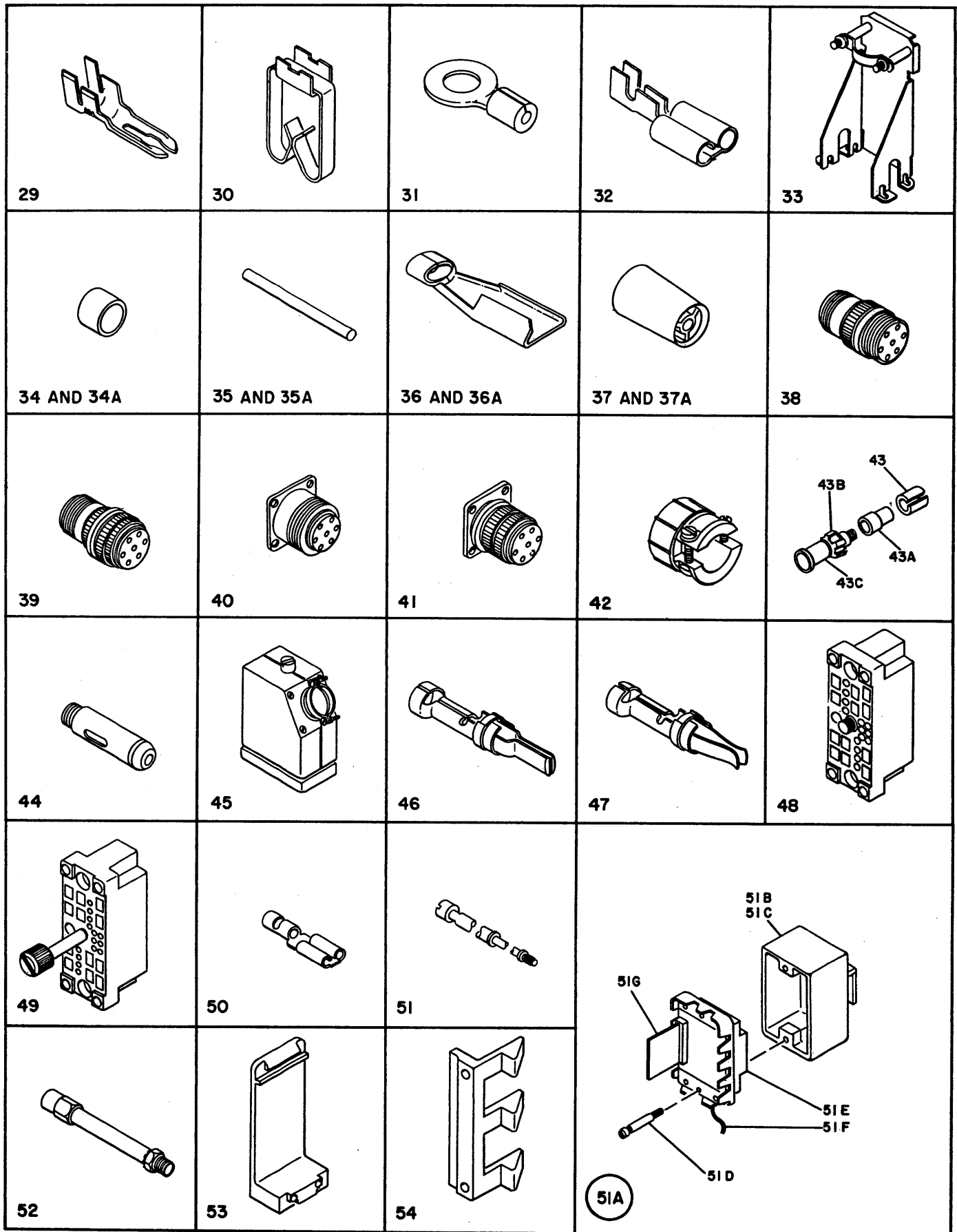


FIGURE 19. CABLE AND JUMPER ASSEMBLY COMPONENT PARTS. SHEET 2 OF 3. SEE LIST 19.

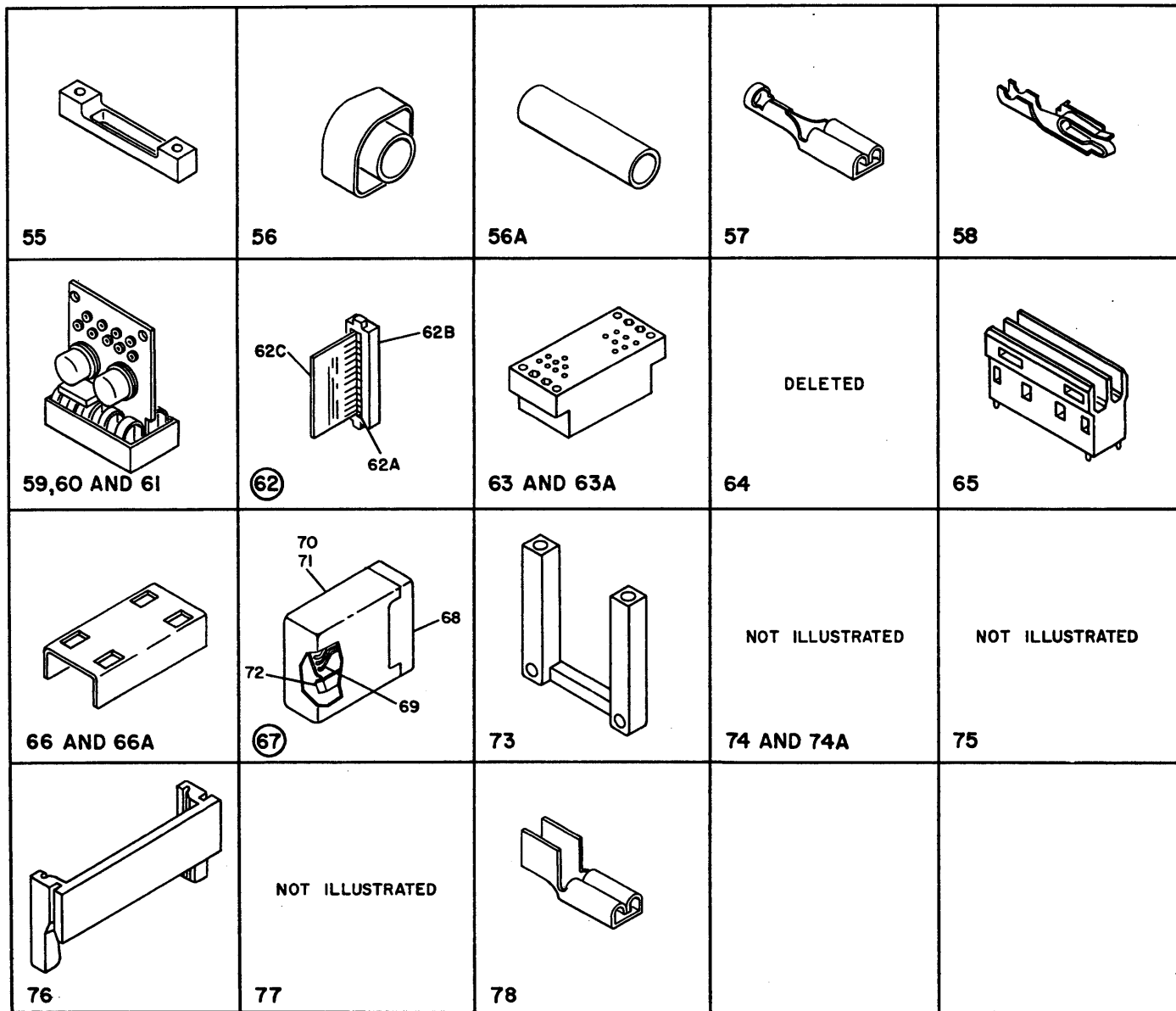


FIGURE 19. CABLE AND JUMPER ASSEMBLY COMPONENT PARTS. SHEET 3 OF 3. SEE LIST 19.

| LIST AND INDEX NO. | PART NO. | DESCRIPTION | | | | UNITS PER ASM. | USABLE ON CODE |
|--------------------|----------|--|---|---|---|----------------|----------------|
| | | 1 | 2 | 3 | 4 | | |
| | | CABLE AND JUMPER ASSEMBLY COMPONENT PARTS | | | | | |
| * 19 - | NO NO. | COMPONENT PARTS, CABLE AND JUMPER ASM. SEE FIGURE 19 FOR ILLUSTRATION | | | | REF | |
| - 1 | 357433 | • CLAMP, CABLE-.187 DIAMETER | | | | AR | |
| - 1 | 356742 | • CLAMP, CABLE-.250 DIAMETER | | | | AR | |
| - 1 | 2102364 | • CLAMP, CABLE-.220 TO .270 DIA. | | | | AR | |
| - 1 | 2102365 | • CLAMP, CABLE-.330 TO .420 DIA. | | | | AR | |
| - 1 | 350663 | • CLAMP, CABLE-.440 DIAMETER | | | | AR | |
| - 1 | 2102366 | • CLAMP, CABLE-.470 TO .520 DIA. | | | | AR | |
| - 1 | 350664 | • CLAMP, CABLE-.560 DIAMETER | | | | AR | |
| - 1 | 2114108 | • CABLE, .0562 DIAMETER | | | | AR | |
| - 1 | 327922 | • CLAMP, CABLE | | | | AR | |
| - 1 | 2114056 | • CLAMP, CABLE-.688 DIAMETER | | | | AR | |
| - 1 | 2102367 | • CLAMP, CABLE-.700 TO .780 DIA. | | | | AR | |
| - 1 | 327923 | • CLAMP, CABLE-.875 DIAMETER | | | | AR | |
| - 1 | 2102368 | • CLAMP, CABLE-.880 TO 1.060 DIA. | | | | AR | |
| - 1 | 2102370 | • CLAMP, CABLE-2.050 DIAMETER | | | | AR | |
| - 1 | 2102369 | • CLAMP, CABLE-1.230 TO 1.550 DIA. | | | | AR | |

| LIST AND INDEX NO. | PART NO. | DESCRIPTION | UNITS PER ASM. | USABLE ON CODE |
|---|----------|--|----------------|----------------|
| CABLE AND JUMPER ASSEMBLY COMPONENT PARTS -CONT | | | | |
| 19 - 2 | 2162901 | . CLAMP, BLACK, BLACK-FASTENER, 1/4 DIA. | AR | |
| - 2 | 2162902 | . CLAMP, BLACK, BLACK-FASTENER, 5/16 DIA. | AR | |
| - 2 | 2162903 | . CLAMP, BLACK, BLACK-FASTENER, 3/8 DIA. | AR | |
| - 2 | 2162904 | . CLAMP, BLACK, BLACK-FASTENER, 7/16 DIA. | AR | |
| - 2 | 2162905 | . CLAMP, BLACK, BLACK-FASTENER, 1/2 DIA. | AR | |
| - 2 | 2162906 | . CLAMP, BLACK, BLACK-FASTENER, 9/16 DIA. | AR | |
| - 2 | 2162907 | . CLAMP, BLACK, BLACK-FASTENER, 5/8 DIA. | AR | |
| - 2 | 2162908 | . CLAMP, BLACK, BLACK-FASTENER, 11/16 DIA. | AR | |
| - 2 | 2162909 | . CLAMP, BLACK, BLACK-FASTENER, 3/4 DIA. | AR | |
| - 2 | 2162910 | . CLAMP, BLACK, BLACK-FASTENER, 13/16 DIA. | AR | |
| - 2 | 2162911 | . CLAMP, BLACK, BLACK-FASTENER, 7/8 DIA. | AR | |
| - 2 | 2162912 | . CLAMP, BLACK, BLACK-FASTENER, 1.00 DIA. | AR | |
| - 2 | 2162913 | . CLAMP, BLACK, BLACK-FASTENER, 1-1/8 DIA. | AR | |
| - 2 | 2162914 | . CLAMP, BLACK, BLACK-FASTENER, 1-3/16 DIA | AR | |
| - 2 | 2162915 | . CLAMP, BLACK, BLACK-FASTENER, 1-1/4 DIA. | AR | |
| - 2 | 2162916 | . CLAMP, BLACK, BLACK-FASTENER, 1-3/8 DIA. | AR | |
| - 2 | 2162917 | . CLAMP, BLACK, BLACK-FASTENER, 1-1/2 DIA. | AR | |
| - 2 | 2162918 | . CLAMP, BLACK, WHITE-FASTENER, 1/4 DIA. | AR | |
| - 2 | 2162919 | . CLAMP, BLACK, WHITE-FASTENER, 5/16 DIA. | AR | |
| - 2 | 2162920 | . CLAMP, BLACK, WHITE-FASTENER, 3/8 DIA. | AR | |
| - 2 | 2162921 | . CLAMP, BLACK, WHITE-FASTENER, 7/16 DIA. | AR | |
| - 2 | 2162922 | . CLAMP, BLACK, WHITE-FASTENER, 1/2 DIA. | AR | |
| - 2 | 2162923 | . CLAMP, BLACK, WHITE-FASTENER, 9/16 DIA. | AR | |
| - 2 | 2162924 | . CLAMP, BLACK, WHITE-FASTENER, 5/8 DIA. | AR | |
| - 2 | 2162925 | . CLAMP, BLACK, WHITE-FASTENER, 11/16 DIA. | AR | |
| - 2 | 2162926 | . CLAMP, BLACK, WHITE-FASTENER, 3/4 DIA. | AR | |
| - 2 | 2162927 | . CLAMP, BLACK, WHITE-FASTENER, 13/16 DIA. | AR | |
| - 2 | 2162928 | . CLAMP, BLACK, WHITE-FASTENER, 7/8 DIA. | AR | |
| - 2 | 2162929 | . CLAMP, BLACK, WHITE-FASTENER, 1.00 DIA. | AR | |
| - 2 | 2162930 | . CLAMP, BLACK, WHITE-FASTENER, 1-1/8 DIA. | AR | |
| - 2 | 2162931 | . CLAMP, BLACK, WHITE-FASTENER, 1-3/16 DIA | AR | |
| - 2 | 2162932 | . CLAMP, BLACK, WHITE-FASTENER, 1-1/4 DIA. | AR | |
| - 2 | 2162933 | . CLAMP, BLACK, WHITE-FASTENER, 1-3/8 DIA. | AR | |
| - 2 | 2162934 | . CLAMP, BLACK, WHITE FASTENER, 1-1/2 DIA. | AR | |
| - 3 | 186968 | . TERMINAL,LUG | AR | |
| - 3A | 253453 | . TERMINAL,RING TONGUE | AR | |
| - 3B | 334910 | . TERMINAL,LUG-14-16 AWG NO. 6 MTG HOLE | AR | |
| - 3C | 334921 | . TERMINAL,LUG-16-22 AWG NO. 6 MTG HOLE | AR | |
| - 3D | 334932 | . TERMINAL,LUG 16-22 AWG NO. 10 | AR | |
| - 3E | 360370 | . TERMINAL,LUG-14-16 AWG NO. 8 MTG HOLE | AR | |
| - 4 | 92784 | . TERMINAL, LUG | AR | |
| - 4A | 253740 | . TERMINAL,LUG-INSULATED NO. 6 MTG HOLE | AR | |
| - 4B | 2101326 | . TERMINAL,LUG- 10-12 AWG NO. 10 MTG HOLE | AR | |
| - 4C | 2101327 | . TERMINAL,INSULATED | AR | |
| - 4D | 236915 | . TERMINAL-CONTACT FEMALE 20-18 AWG | AR | |
| - 5 | 92786 | . TERMINAL,LUG | AR | |
| - 5A | 255994 | . TERMINAL-SPADE 16-20 AWG | AR | |
| - 5B | 368222 | . TERMINAL,NO. 8 STUD 16-14 WIRE | AR | |
| - 5C | 603152 | . TERMINAL | AR | |
| - 5D | 1119009 | . LUG, TERMINAL | AR | |
| - 6 | 186963 | . TERMINAL, | AR | |
| - 6A | 186965 | . TERMINAL, LUG-SPADE | AR | |
| - 6B | 186967 | . TERMINAL,LUG- 20-26 AWG NO. 6 MTG SLOT | AR | |
| - 6C | 187460 | . TERMINAL, LUG, 20,22,24 AWG-NO.8 HOLE | AR | |
| - 6D | 313361 | . TERMINAL,LUG- 20-24 AWG NO. 4 MTG SLOT | AR | |
| - 7 | 135052 | . TERMINAL, TAPERED | AR | |
| - 7A | 187243 | . CONNECTOR, TAPERED, 20 AWG WIRE | AR | |
| - 7B | 320167 | . CONNECTOR, TAPERED | AR | |
| - 7C | 360433 | . CONNECTOR, TAPERED, 16 OR 18 AWG WIRE | AR | |
| - 7D | 600844 | . TERMINAL, SMALL TAPER, 55-24 AWG | AR | |
| - 8 | 1142155 | . TERMINAL, CRIMP, 22-24 AWG | AR | |
| - 8A | 2114531 | . TERMINAL | AR | |
| - 9 | 598041 | . CONTACT | AR | |
| - 9A | 631644 | . CONTACT, DUAL MINIATURE, 24-26 AWG | AR | |
| - 9B | 736547 | . CONTACT, MINIATURE DUAL, 20-22 AWG | AR | |
| - 10 | 2122258 | . PIN, CONTACT | AR | |
| - 10A | 2122260 | . PIN, CONTACT LONG | AR | |
| - 10B | 2127867 | . PIN-CONTACT | AR | |
| - 11 | 2122259 | . SOCKET, CONTACT, 20 OR 22 AWG WIRE | AR | |
| - 11A | 2122261 | . SOCKET, CONTACT, 16 OR 18 AWG WIRE | AR | |
| - 11B | 2127890 | . SOCKET, CONTACT, 24-26 AWG | AR | |
| - 12 | 37913 | . NUT, HEX., 4-40 X 1/4 W | AR | |
| - 13 | 38264 | . SCREW,MACH-FIL H 4-40 X 3/8 LG | AR | |
| - 13A | 38354 | . SCREW,MACH-FIL H 6-32 X 1/2 LG | AR | |
| - 13B | 205652 | . SCREW,MACH-FIL H 2-56 X 5/8 LG | AR | |
| - 13C | 438552 | . SCREW,MACH BINDING HD 4-40 X 3/4 LG | AR | |
| - 13D | 438549 | . SCREW,MACH-BIND HD 4-40 X 7/16 LG | AR | |

| | | CABLE AND JUMPER ASSEMBLY COMPONENT PARTS -CONT | |
|---------|---------|---|----|
| 19 - 14 | 138281 | . WASHER,.125 I.D.-5/16 O.D.X .062 THICK | AR |
| - 15 | 150209 | . LOCKWASHER | AR |
| - 15A | 257985 | . WASHER, FLAT, 1/8 ID X 1/4 OD | AR |
| - 16 | 55901 | . WASHER,LOCK-EXT TEETH NO. 8 X 0.381 OD | AR |
| - 16A | 338169 | . WASHER,LOCK-EXT TEETH NO. 4 X 9/32 OD | AR |
| - 17 | 236916 | . TERMINAL, 22-24 AWG | AR |
| - 17A | 339156 | . CLIP,TERMINAL | AR |
| - 17B | 523181 | . TERMINAL,QUICK DISCONNECT- 18/22AWG | AR |
| - 18 | 359695 | . TERMINAL,LUG-14-16 AWG NO. 10 MTG HOLE | AR |
| - 18A | 317399 | . LUG, TERMINAL, 90 DEGREE ANGLE | AR |
| - 19 | 517913 | . CLIP | AR |
| - 20 | 595720 | . RIVET,ROLLED FLANGE | AR |
| - 21 | 550501 | . RECEPTACLE-TAPER PIN | AR |
| - 21A | 591649 | . TERMINATION,COAXIAL | AR |
| - 22 | 609687 | . CONTACT | AR |
| - 23 | 725557 | . PLUG, CONNECTOR, 3 CIRCUIT | AR |
| - 24 | 725558 | . CONNECTOR | AR |
| - 25 | 738843 | . HOUSING, CONNECTOR, 132 POSITION, MALE | AR |
| - 26 | 738844 | . HOUSING, CONNECTOR, 132 POSITION, FEMALE | AR |
| - 27 | 744606 | . JACKSCREW, 6-32 X 1.333 LONG | AR |
| - 28 | 812193 | . BOARD, ETCHED, RT. ANGLE CONNECTOR | AR |
| - 29 | 813195 | . TERMINAL, DISCRETE WIRE, 22-26 AWG | AR |
| - 30 | 813681 | . CONTACT, MINIATURE BUS | AR |
| - 31 | 1092019 | . TERMINAL,RING .145 MOUNTING HOLE | AR |
| - 32 | 2123393 | . TERMINAL | AR |
| - 33 | 2127857 | . CLAMP, STRAIN RELIEF, 104 POSITION | AR |
| - 34 | 2152788 | . FERRULE,.453 OUTSIDE AND .400 INSIDE DIA | AR |
| - 34A | 2152789 | . FERRULE,.337 OUTSIDE AND .297 INSIDE DIA | AR |
| - 35 | 2154243 | . CONTACT, SINGLE WIRE | AR |
| - 35A | 2154357 | . CONNECTOR, MINIATURE, 5-PIN FEMALE | AR |
| - 36 | 2154868 | . CONNECTOR, GOLD,W/O DIMPLES,20-22 WIRE | AR |
| - 36A | 2154888 | . CONNECTOR, GOLD,WITH DIMPLES,20-22 WIRE | AR |
| - 37 | 2178469 | . FERRULE, SHIELDED WIRE, .150 IC | AR |
| - 37A | 2178470 | . SLEEVE, INSULATING | AR |
| - 38 | 2180659 | . CONNECTOR, CABLE, 7 POSITION, FEMALE | AR |
| - 39 | 2180660 | . PLUG, STRAIGHT, 7 POSITION, MALE | AR |
| - 40 | 2180661 | . RECEPTACLE, CABLE, 7 POSITION, FEMALE | AR |
| - 41 | 2180662 | . PLUG, BOX TYPE, 7 POSITION, MALE | AR |
| - 42 | 2180663 | . CLAMP, CABLE | AR |
| - 43 | 2180664 | . BUSHING, ALIGNMENT, COAX CONNECTOR | AR |
| - 43A | 2180665 | . FERRULE, COAX CONNECTOR | AR |
| - 43B | 2180666 | . SPRING, RETENTION, COAX CONNECTOR | AR |
| - 43C | 2180667 | . SOCKET, COAX CONNECTOR | AR |
| - 44 | 2180668 | . PIN, COAX CONNECTOR | AR |
| - 45 | 2180669 | . CONNECTOR, 30 POSITION, POWER | AR |
| - 46 | 2180670 | . TERMINAL, MALE | AR |
| - 47 | 2180671 | . TERMINAL, FEMALE | AR |
| - 48 | 2180672 | . BLOCK, RECEPTACLE, 29 POSITION | AR |
| - 49 | 2180673 | . BLOCK, PLUG, 29 POSITIONS | AR |
| - 51 | 2180716 | . JACKSCREW, MALE, 8-32 | AR |
| - 51A | 2180746 | . PLUG ASSEMBLY, TERMINATOR | AR |
| - 51B | 170225 | . . SCREW, LOCKWASHER AND, 6-32 X .438 LG | 4 |
| - 51C | 2122627 | . . SHIELD ASSY | 1 |
| - 51D | 738842 | . . JACKSCREW, LONG | 2 |
| - 51E | 738843 | . . HOUSING, CONNECTOR, 132 POSITION, MALE | 1 |
| - 51F | 2180747 | . . JUMPER ASSEMBLY, 1.50 LONG | 25 |
| - 51G | 5800736 | . . TERMINATOR, LINE | 1 |
| - 52 | 2180796 | . JACKSCREW, FIXED | AR |
| - 53 | 2180914 | . RETAINER, | AR |
| - 54 | 2180972 | . CLAMP, PADDLE CONNECTOR, SLT | AR |
| - 55 | 2180973 | . CLAMP, SLT CARD | AR |
| - 56 | 2184182 | . FERRULE, SHIELDED WIRE | AR |
| - 56A | 2184183 | . SLEEVE, INSULATING | AR |
| - 57 | 5213274 | . TERMINAL, QUICK DISCONNECT, 18-22 AWG | AR |
| - 58 | 5362301 | . CONTACT, LARGE SERPENT, 20-24 AWG | AR |
| - 59 | 5805007 | . CARD ASSEMBLY, INDEX PREAMP | AR |
| - 60 | 5805008 | . CONNECTOR, CYLINDER PREAMP | AR |
| - 61 | 5805009 | . CONNECTOR, DETENT PREAMP | AR |
| - 62 | 5800610 | . CARD ASSEMBLY, SIGNAL TERMINATOR | AR |
| - 62A | 811300 | . . CONTACT, SIGNAL TERMINATOR CARD | 21 |
| - 62B | 811304 | . . HOUSING, CONTACT | 1 |
| - 62C | 811715 | . . CARD, SIGNAL TERMINATOR | 1 |
| * - 63 | 2127854 | . CONNECTOR,PLUG,ELEC-75 MALE CONTACTS | AR |
| * - 63A | 2127855 | . CONNECTOR,RECP,ELEC-MINI 75 FEMALE CONT INDEX 64 DELETED | AR |
| - 65 | 813801 | . HOUSING | AR |
| - 66 | 813802 | . COVER | AR |
| - 66A | 811494 | . COVER- 4 PIN BLK FOR HOUSING P/N 811486 | AR |
| - 67 | 2181201 | . PLUG ASSEMBLY-TERMINATOR | AR |
| - 68 | 2127854 | . . CONNECTOR,PLUG,ELEC-75 MALE CONTACTS | 1 |
| - 69 | 2181202 | . . JUMPER ASSEMBLY | 21 |
| - 70 | 2181203 | . . HOUSING-TERMINAL PLUG | 1 |
| - 71 | 2181211 | . . SCREW | 3 |
| - 72 | 5800736 | . . TERMINATOR, LINE | 1 |
| - 73 | 5352960 | . STRAIN RELIEF COAX FOR TWO-HI APPLICATION | AR |
| - 74 | 2181266 | . LABEL | AR |
| - 74A | 5393130 | . LABEL | AR |
| - 75 | 2178526 | . TERMINAL | AR |
| - 76 | 811804 | . GUIDE, CARD | AR |
| - 77 | 5819436 | . CARD, CONNECTOR | AR |
| - 78 | 430799 | . TERMINAL,QUICK DISCONNECT | AR |

NUMERICAL INDEX

| PART NO. | LIST AND INDEX NO. |
|----------|--------------------|
| 33 | 10 - 26A |
| 337 | 5 - 1 |
| 453 | 5 - 1A |
| | 14 - 1 |
| 845 | 5 - 1B |
| 1974 | 5 - 56 |
| | 5A- 1 |
| 2863 | 17 - 1 |
| | 17C- 30 |
| 3550 | 5 - 1C |
| | 9 - 3 |
| | 14 - 2 |
| 3960 | 2 - 1 |
| | 14 - 3 |
| 4327 | 6 - 47A |
| 4564 | 5 - 1D |
| | 14 - 4 |
| 5528 | 5 - 2 |
| | 5 - 135A |
| | 9 - 1 |
| 6364 | 9 - 39 |
| 9092 | 6 - 1A |
| 10170 | 1 - 1 |
| | 1 - 1 |
| | 1 - 1A |
| | 1 - 1B |
| | 2 - 2 |
| | 5 - 3 |
| | 5 - 3 |
| | 8 - 1 |
| | 8 - 1 |
| | 11 - 1 |
| | 16 - 1 |
| | 17A- 3 |
| 10309 | 14 - 5 |
| 11598 | 1 - 104 |
| | 12 - 1 |
| 15544 | 5 - 4 |
| 19852 | 5 - 4A |
| 22478 | 2 - 2A |
| | 16 - 2 |
| 25627 | 1 - 2A |
| | 14 - 6 |
| | 16 - 3 |
| | 16 - 3A |
| | 16 - 4 |
| 25793 | 1 - 2 |
| 28413 | 1 - 94 |
| | 16 - 5 |
| | 16 - 5A |
| | 16 - 31A |
| 32042 | 17 - 2 |
| | 17C- 31 |
| 32617 | 1 - 105 |
| 34512 | 1 - 2B |
| | 7 - 1 |
| | 14 - 7 |
| | 16 - 6 |
| | 16 - 6A |
| 35739 | 5A- 2 |

| PART NO. | LIST AND INDEX NO. |
|------------|--------------------|
| 35739-CONT | 9 - 7 |
| | 9 - 26 |
| | 16 - 7 |
| 37913 | 5A- 3 |
| | 17B- 1 |
| | 17B- 13 |
| | 19 - 12 |
| 38051 | 9 - 40 |
| 38235 | 1 - 3 |
| | 4 - 1 |
| | 4A- 1 |
| | 5 - 5 |
| | 9 - 2 |
| | 16 - 8 |
| 38264 | 1 - 4 |
| | 16 - 4A |
| | 19 - 13 |
| 38354 | 1 - 4A |
| | 16 - 8A |
| | 19 - 13A |
| 38442 | 10 - 1 |
| 38443 | 1 - 5 |
| 38575 | 18A- 1 |
| 38686 | 1 - 67A |
| 45690 | 2A- 1 |
| | 6 - 1A |
| | 16 - 9 |
| | 17C- 38 |
| 48594 | 10 - 2 |
| | 11 - 2 |
| 54291 | 16 - 10 |
| 55726 | 1 - 6 |
| | 5 - 6 |
| | 16 - 11 |
| 55901 | 1 - 6A |
| | 4 - 2 |
| | 4A- 2 |
| | 16 - 12 |
| | 16 - 12A |
| | 16 - 12B |
| | 17B- 1A |
| | 19 - 16 |
| 55918 | 2A- 9 |
| | 2A- 9 |
| 56079 | 1 - 6B |
| | 16 - 13 |
| 56121 | 1 - 106 |
| | 16 - 14 |
| 56722 | 1 - 7 |
| | 14 - 8 |
| | 16 - 15 |
| | 17 - 3 |
| | 17A- 4 |
| 58207 | 4 - 3 |
| | 4A- 3 |
| | 16 - 4 |
| | 16 - 17 |
| | 16 - 17A |
| 59647 | 2 - 3 |
| 62031 | 1 - 8 |

| PART NO. | LIST AND INDEX NO. |
|------------|--------------------|
| 62031-CONT | 5 - 77D |
| 72828 | 2 - 3A |
| | 17C- 38 |
| 79778 | 14 - 9 |
| 80651 | 1 - 9 |
| 81693 | 1 - 10 |
| | 6 - 1 |
| | 8 - 1A |
| | 11 - 50 |
| | 11 - 58 |
| | 11 - 62 |
| | 17 - 14A |
| | 17A- 25A |
| | 16 - 18 |
| 91610 | 19 - 4 |
| 92784 | 19 - 5 |
| 92786 | 19 - 5 |
| 101706 | 5 - 7 |
| 104615 | 16 - 19 |
| 104706 | 5 - 8 |
| 107668 | 16 - 20 |
| 111229 | 1 - 11 |
| 111257 | 16 - 20A |
| 117184 | 17A- 5 |
| 120789 | 9 - 3 |
| 122639 | 1 - 110 |
| | - 1 |
| 122740 | 5 - 9 |
| 124440 | 11 - 28 |
| 124631 | 1 - 110 |
| | - 1 |
| 125930 | 2 - 4 |
| | 2A- 2 |
| 129243 | 16 - 21 |
| | 16 - 21 |
| 129654 | 5 - 7 |
| | 5 - 135B |
| 135052 | 19 - 7 |
| 138281 | 19 - 14 |
| 138755 | 14 - 10 |
| | 16 - 22 |
| 139395 | 14 - 11 |
| 150209 | 5 - 9A |
| | 17B- 14 |
| | 19 - 15 |
| 151598 | 14 - 12 |
| | 16 - 23 |
| 159373 | 17A- 6 |
| 169733 | 5 - 10 |
| 170150 | 5A- 4 |
| 170176 | 5 - 73 |
| 170185 | 5 - 11 |
| 170215 | 5 - 12 |
| 170225 | 19 - 51B |
| 170530 | 5 - 15 |
| 171485 | 17 - 4 |
| | 17C- 32 |
| 172999 | 17 - 5 |
| | 17C- 33 |
| 179743 | 17A- 12B |
| 179744 | 17A- 7 |

| PART NO. | LIST AND INDEX NO. |
|----------|--------------------|
| 179946 | 16 - 24 |
| 179966 | 14 - 13 |
| 180528 | 1 - 110 |
| | 0 - 1 |
| 186758 | 11 - 51 |
| | 17C- 39 |
| 186842 | 5 - 57 |
| | 5A- 5 |
| 186923 | 11 - 52 |
| 186927 | 1 - 13 |
| 186934 | 6 - 2 |
| 186950 | 1 - 67B |
| 186963 | 19 - 6 |
| 186965 | 19 - 6A |
| 186967 | 19 - 6B |
| 186968 | 19 - 3 |
| 187243 | 19 - 7A |
| 187460 | 19 - 6C |
| 187491 | 1 - 14 |
| | 1 - 14 |
| 205331 | 16 - 26 |
| | 16 - 26 |
| | 16 - 26 |
| | 16 - 26 |
| 205652 | 19 - 13B |
| 207353 | 16 - 27 |
| 210984 | 1 - 15 |
| | 1 - 15 |
| 213536 | 4 - 4 |
| | 4A- 4 |
| 216184 | 0 - 1 |
| 216323 | 17A- 7 |
| 216432 | 15 - 1 |
| 216442 | 13 - 1 |
| 216452 | 13 - 2 |
| 216455 | 15 - 1A |
| | 15 - 1A |
| 216460 | 15 - 1A |
| 216461 | 15 - 2 |
| 216466 | 13 - 3 |
| 216468 | 15 - 1 |
| | 15 - 1A |
| 216472 | 3 - 3A |
| | 13 - 3A |
| 216474 | 13 - 4 |
| 216480 | 15 - 3 |
| 216481 | 13 - 5 |
| 217019 | 16 - 28 |
| 220032 | 17B- 5A |
| 220278 | 16 - 29 |
| 220546 | 4A- 4A |
| 221110 | 16 - 30 |
| 221790 | 1 - 16 |
| 231658 | 1 - 17 |
| 233355 | 9 - 14 |
| | 9 - 33 |
| | 10 - 3 |
| 234318 | 17 - 7 |
| | 17C- 1 |
| 234319 | 5 - 14 |
| 234345 | 5 - 15 |
| 234349 | 5 - 16 |
| 236529 | 5 - 17 |
| 236550 | 5 - 18 |
| 236849 | 16 - 5A |
| | 16 - 31 |
| | 16 - 31A |
| 236915 | 19 - 4D |
| 236916 | 19 - 17 |
| 237245 | 8 - 2 |
| 241927 | 16 - 81B |
| 251446 | 2 - 5 |
| 251970 | 5 - 18A |
| | 10 - 4 |
| | 11 - 3 |
| | 16 - 32 |
| | 18 - 14 |
| 251989 | 11 - 4 |
| 253453 | 17B- 22A |
| | 19 - 3A |

| PART NO. | LIST AND INDEX NO. |
|----------|--------------------|
| 253740 | 19 - 4A |
| 255886 | 10 - 5 |
| 255994 | 19 - 5A |
| 257187 | 4 - 5 |
| | 5 - 77E |
| | 6 - 48 |
| | 17A- 8 |
| 257189 | 3 - 1 |
| | 4A- 5 |
| | 12 - 2 |
| | 16 - 33 |
| | 17 - 8 |
| | 17B- 2 |
| | 17C- 2 |
| 257958 | 1 - 18 |
| | 8 - 2A |
| 257971 | 5 - 107 |
| 257982 | 2 - 6 |
| 257983 | 1 - 19 |
| | 5 - 19 |
| | 5 - 19 |
| 257985 | 5 - 19A |
| | 16 - 34 |
| | 19 - 15A |
| 257986 | 1 - 20 |
| | 5 - 20 |
| | 6 - 3 |
| | 10 - 6 |
| 285955 | 16 - 111 |
| 286531 | 16 - 116 |
| 300793 | 17B- 5B |
| 302090 | 16 - 35 |
| | 17A- 9 |
| 302131 | 17A- 10 |
| 303549 | 16 - 36 |
| 304477 | 16 - 37 |
| 304479 | 16 - 38 |
| 308704 | 16 - 39 |
| 311540 | 16 - 40 |
| | 16 - 40A |
| 313361 | 19 - 6D |
| 314372 | 12 - 3 |
| 316455 | 4A- 6 |
| 316807 | 7 - 2A |
| 316996 | 16 - 41 |
| 317006 | 16 - 72 |
| 317008 | 16 - 100A |
| 317015 | 16 - 155 |
| 317077 | 16 - 120 |
| 317082 | 16 - 96A |
| 317145 | 16 - 42 |
| 317173 | 17A- 12A |
| | 17B- 4 |
| 317193 | 16 - 43 |
| 317248 | 16 - 92A |
| 317279 | 16 - 44 |
| 317399 | 19 - 18A |
| 317430 | 16 - 104 |
| 317464 | 5 - 21 |
| 319985 | 16 - 45 |
| 320167 | 19 - 7B |
| 320451 | 17 - 9 |
| | 17C- 3 |
| 320610 | 4 - 6 |
| 321271 | 16 - 90 |
| 322065 | 6 - 4 |
| | 8 - 3 |
| | 9 - 4 |
| | 11 - 53 |
| | 16 - 45A |
| 322289 | 16 - 46 |
| 322550 | 1 - 21 |
| | 6 - 4A |
| | 10 - 7 |
| | 16 - 47 |
| 322552 | 1 - 22 |
| | 5 - 77F |
| 322562 | 6 - 2 |
| 322739 | 16 - 48 |
| 322792 | 16 - 49 |

| PART NO. | LIST AND INDEX NO. |
|----------|--------------------|
| 323840 | 5A- 6 |
| 323845 | 16 - 50 |
| 327922 | 19 - 1 |
| 327923 | 19 - 1 |
| 328602 | 16 - 51 |
| 332620 | 2A- 3 |
| | 2A- 3 |
| | 2A- 3 |
| | 2A- 3 |
| | 5 - 22 |
| 334910 | 19 - 3B |
| 334921 | 19 - 3C |
| 334932 | 19 - 3D |
| 335329 | 16 - 118 |
| 338169 | 17B- 3 |
| | 19 - 16A |
| 338238 | 5 - 23 |
| 338320 | 16 - 99B |
| 339156 | 19 - 17A |
| 344015 | 2 - 4A |
| | 2 - 7 |
| | 17 - 10 |
| | 17A- 11 |
| | 17C- 4 |
| 350428 | 13 - 5A |
| 350559 | 16 - 51A |
| 350663 | 19 - 1 |
| 350664 | 19 - 1 |
| 354167 | 17A- 12 |
| 355343 | 10 - 8 |
| 356742 | 19 - 1 |
| 357419 | 6 - 49 |
| 357433 | 19 - 1 |
| 357995 | 16 - 59 |
| | 16 - 59 |
| 358789 | 17A- 12C |
| 358844 | 17A- 13 |
| 359018 | 16 - 52 |
| 359044 | 1 - 22A |
| | 5 - 23A |
| 359511 | 16 - 53 |
| | 16 - 54 |
| 359695 | 19 - 18 |
| 360339 | 16 - 55 |
| 360370 | 19 - 3E |
| 360433 | 19 - 7C |
| 360831 | 16 - 56 |
| 361479 | 13 - 6 |
| 361497 | 13 - 7 |
| 362915 | 1 - 23 |
| | 16 - 56A |
| 368222 | 19 - 5B |
| 369113 | 15 - 13 |
| 369203 | 13 - 8 |
| | 13 - 8 |
| 369207 | 1 - 24 |
| | 5 - 24 |
| | 14 - 14 |
| | 16 - 57 |
| | 16 - 57A |
| 369218 | 17A- 14 |
| 369599 | 13 - 9 |
| | 13 - 9 |
| | 15 - 4 |
| 372688 | 1 - 25 |
| | 16 - 58 |
| 418835 | 16 - 59 |
| | 16 - 59 |
| | 16 - 59 |
| | 16 - 59 |
| 419131 | 16 - 67 |
| 430799 | 19 - 78 |
| 437131 | 11 - 12 |
| 438543 | 10 - 9 |
| 438548 | 5A- 7 |
| | 11 - 3 |
| | 11 - 3 |
| 438549 | 11 - 5 |
| | 19 - 13D |
| 438550 | 5 - 25 |
| | 16 - 60 |

| PART NO. | LIST AND INDEX NO. |
|----------|--------------------|
| 438551 | 5A- 8 |
| | 8 - 4 |
| | 12 - 4 |
| 438552 | 5 - 58 |
| | 17B- 15 |
| | 19 - 13C |
| 438567 | 16 - 61 |
| 438568 | 6 - 5 |
| | 16 - 61 |
| 438571 | 16 - 62 |
| 438573 | 2 - 8 |
| 438582 | 16 - 63 |
| 438588 | 16 - 64 |
| 438589 | 16 - 64 |
| 438891 | 16 - 64A |
| 441218 | 11 - 24 |
| 442958 | 16 - 65 |
| 472179 | 16 - 65A |
| 472187 | 16 - 66 |
| | 16 - 88 |
| 473582 | 16 - 67 |
| 473629 | 4 - 7 |
| 480612 | 16 - 68 |
| 483070 | 15 - 5 |
| 483224 | 15 - 6 |
| | 15 - 6 |
| | 15 - 6 |
| 491228 | 13 - 10 |
| 491292 | 16 -150 |
| 492551 | 15 - 6 |
| 504698 | 16 - 69 |
| 507144 | 16 - 70 |
| 509772 | 1 - 94 |
| 509968 | 16 - 71 |
| 512426 | 5A- 9 |
| 517913 | 19 - 19 |
| 521695 | 16 - 73 |
| 523181 | 19 - 17B |
| 524928 | 16 - 74 |
| 526378 | 16 - 75 |
| 535299 | 16 - 80 |
| 539691 | 17B- 5 |
| 550050 | 13 - 12 |
| 550501 | 19 - 21 |
| 550578 | 17 - 11 |
| | 17C- 5 |
| 555049 | 17A- 16 |
| 561509 | 16 - 75A |
| 589768 | 16 - 76 |
| 591649 | 19 - 21A |
| 595261 | 16 -107 |
| 595720 | 17B- 16 |
| | 19 - 20 |
| 596481 | 17 - 11A |
| | 17C- 6 |
| 597044 | 10 - 10 |
| 597215 | 16 - 77 |
| 597347 | 17C- 40 |
| 598041 | 19 - 9 |
| 598479 | 16 - 78 |
| 600844 | 19 - 7D |
| 601093 | 1 - 25A |
| 601365 | 1 - 26 |
| 602857 | 19 - 3F |
| 603152 | 19 - 5C |
| 603541 | 16 - 79 |
| 609687 | 5 -108 |
| | 17 - 12 |
| | 17C- 34 |
| | 19 - 22 |
| 615354 | 16 - 81 |
| | 16 - 81A |
| 620093 | 11 - 25 |
| 631644 | 19 - 9A |
| 719552 | 4 - 8 |
| 725347 | 4A- 7 |
| | 4A- 7 |
| | 4A- 7 |
| 725557 | 19 - 23 |
| 725558 | 5 -109 |

| PART NO. | LIST AND INDEX NO. |
|-------------|--------------------|
| 725558-CONT | 17 - 13 |
| | 17C- 35 |
| | 19 - 24 |
| 725570 | 17A- 5 |
| 730468 | 16 - 82 |
| | 17 - 14 |
| | 17C- 7 |
| 731626 | 17A- 17 |
| 731627 | 17A- 18 |
| 734878 | 17A- 19 |
| 734879 | 1 - 26A |
| | 4A- 7 |
| | 4A- 7 |
| | 17A- 21 |
| 736547 | 19 - 9B |
| 738826 | 4 - 9 |
| | 17A- 20 |
| 738842 | 19 - 51D |
| 738843 | 19 - 25 |
| | 19 - 51E |
| 738844 | 19 - 26 |
| 740490 | 1 - 27 |
| | 4 - 25 |
| | 4A- 24 |
| 740493 | 1 - 28 |
| | 16 - 83 |
| | 4 - 10 |
| 740503 | 4A- 8 |
| | 1 - 29 |
| 740550 | 16 - 84 |
| | 17A- 20A |
| 740608 | 4 - 10 |
| | 4A- 8 |
| 741349 | 4A- 9 |
| 744606 | 19 - 27 |
| 760521 | 4 - 11 |
| 765748 | 17A- 21 |
| 801620 | 16 - 85 |
| 801645 | 16 - 86 |
| 803278 | 16 - 87 |
| 811090 | 17C- 8 |
| 811300 | 19 - 62A |
| 811304 | 19 - 62B |
| 811363 | 17A- 22 |
| | 17A- 22 |
| | 17C- 9 |
| | 17 - 31A |
| 811417 | 17A- 18 |
| | 17A- 23 |
| | 17C- 10 |
| 811426 | 17A- 18 |
| | 17A- 23 |
| 811494 | 19 - 66A |
| 811715 | 19 - 62C |
| 811802 | 17A- 23B |
| | 17A- 23C |
| 811804 | 17 - 15 |
| | 17B- 16A |
| | 17C- 11 |
| | 19 - 76 |
| 811839 | 15 - 8 |
| 812193 | 17B- 21A |
| | 17B- 22B |
| | 19 - 28 |
| 813179 | 17A- 23D |
| 813195 | 19 - 29 |
| 813197 | 1 -107 |
| | 17C- 12 |
| 813621 | 17 - 16 |
| 813681 | 19 - 30 |
| 813801 | 19 - 65 |
| 813802 | 19 - 66 |
| 827840 | 4A- 10 |
| 827841 | 4A- 10A |
| 845762 | 1 - 29A |
| 1073418 | 1 - 29B |
| | 5 - 25A |
| | 6 - 15 |
| | 6 - 20 |
| | 9 - 5 |

| PART NO. | LIST AND INDEX NO. |
|--------------|--------------------|
| 1073418-CONT | 9 - 8 |
| | 9 - 27 |
| | 11 - 6 |
| | 11 - 13 |
| 1077739 | 5 - 26 |
| 1090873 | 3 - 2 |
| | 5 - 26A |
| 1092019 | 19 - 31 |
| 1092125 | 5 - 27 |
| | 12 - 5 |
| 1115633 | 6 - 6 |
| 1119009 | 19 - 5D |
| 1124682 | 8 - 5 |
| 1142155 | 19 - 8 |
| 1143227 | 16 - 88 |
| | 16 - 88 |
| 2100873 | 17A- 23A |
| 2101089 | 17 - 17 |
| | 17C- 13 |
| 2101326 | 19 - 4B |
| 2101327 | 19 - 4C |
| 2101569 | 4 - 12 |
| 2102160 | 16 - 54A |
| 2102364 | 19 - 1 |
| 2102365 | 19 - 1 |
| 2102366 | 19 - 1 |
| 2102367 | 19 - 1 |
| 2102368 | 19 - 1 |
| 2102369 | 19 - 1 |
| 2102370 | 19 - 1 |
| 2102374 | 4 - 13 |
| | 4A- 11 |
| | 16 - 94 |
| 2102625 | 16 -102 |
| 2102710 | 16 - 89 |
| 2103070 | 16 - 91 |
| | 16 - 92 |
| 2103102 | 16 - 93 |
| 2103416 | 4 - 14 |
| | 11 - 29 |
| 2103552 | 16 - 95 |
| | 16 - 96 |
| 2108474 | 1 - 95 |
| 2108626 | 1 - 96 |
| 2108913 | 1 - 97 |
| 2109462 | 16 -109 |
| 2111232 | 5A- 13 |
| | 16 - 81B |
| 2114054 | 16 - 97 |
| 2114056 | 19 - 1 |
| 2114108 | 19 - 1 |
| 2114312 | 16 - 98 |
| 2114480 | 16 - 99 |
| 2114481 | 16 - 99C |
| 2114490 | 16 - 99D |
| 2114531 | 19 - 8A |
| 2119605 | 4 - 15 |
| 2121358 | 5 - 11 |
| 2121517 | 6 - 34 |
| 2121754 | 6 - 7 |
| 2122258 | 19 - 10 |
| 2122259 | 19 - 11 |
| 2122260 | 19 - 10A |
| 2122261 | 19 - 11A |
| 2122627 | 19 - 51C |
| 2122639 | 11 - 6A |
| 2123393 | 19 - 32 |
| 2124546 | 16 - 99A |
| 2125765 | 1 - 30 |
| | 16 - 99E |
| | 17 - 3 |
| | 17C- 14 |
| 2125974 | 1 - 31 |
| | 2 - 9 |
| 2127854 | 19 - 63 |
| | 19 - 68 |
| 2127855 | 19 - 63A |
| 2127857 | 19 - 33 |
| 2127867 | 19 - 10B |
| 2127890 | 19 - 11B |

| PART NO. | LIST AND INDEX NO. | PART NO. | LIST AND INDEX NO. | PART NO. | LIST AND INDEX NO. |
|----------|--------------------|----------|--------------------|----------|--------------------|
| 2129359 | 16 -100 | 2154244 | 5 - 32 | 2154915 | 16 -108 |
| 2129362 | 16 -101 | 2154251 | 5 - 33 | 2157302 | 9 - 19 |
| 2130557 | 16 -103 | | 5 - 33 | 2157303 | 9 - 20 |
| 2133900 | 4A- 32 | 2154252 | 18 - 4 | 2157304 | 9 - 21 |
| | 0 - 3 | | 18A- 7 | 2157307 | 5 - 43 |
| 2133901 | 4A- 32 | 2154255 | 11 - 11 | 2157308 | 5 - 73A |
| | 0 - 3 | 2154256 | 11 - 15 | 2157327 | 9 - 17 |
| 2133902 | 4A- 32 | 2154258 | 11 - 57 | | 9 - 36 |
| | 0 - 3 | 2154259 | 11 - 61 | 2157330 | 9 - 11 |
| 2133903 | 4A- 32 | 2154268 | 11 - 16 | 2157340 | 5 - 44 |
| | 0 - 3 | 2154286 | 1 - 90A | 2157343 | 9 - 22 |
| 2133904 | 4A- 32 | 2154301 | 10 - 12 | 2157344 | 9 - 23 |
| | 0 - 3 | 2154303 | 10 - 13 | 2157349 | 8 - 6 |
| 2133905 | 4A- 32 | 2154304 | 9 - 6 | 2157354 | 5 - 45 |
| | 0 - 3 | 2154306 | 10 - 14 | 2157356 | 6 - 14 |
| 2133906 | 4A- 32 | 2154307 | 10 - 15 | 2157359 | 4 - 17 |
| | 0 - 3 | 2154316 | 5 - 74 | 2157361 | 6 - 19 |
| 2133907 | 4A- 32 | 2154317 | 5 - 75 | 2157392 | 16 -110 |
| | 0 - 3 | 2154318 | 5 - 76 | 2157602 | 4 - 18 |
| 2133908 | 1 -103 | 2154326 | 10 - 16 | | 4A- 15 |
| | 0 - 1 | 2154327 | 10 - 17 | 2157615 | 3 - 3 |
| 2133909 | 1 -103 | 2154328 | 10 - 18 | 2157616 | 2 - 35 |
| | 0 - 1 | 2154329 | 10 - 19 | 2157620 | 1 - 34 |
| 2152788 | 19 - 34 | 2154330 | 10 - 20 | | 3 -REF |
| 2152789 | 19 - 34A | 2154331 | 10 - 21 | 2157628 | 2 - 10 |
| 2152818 | 16 -104A | 2154332 | 10 - 22 | | 2 - 49B |
| 2154009 | 1 - 32 | 2154337 | 9 - 15 | 2157632 | 2 - 11 |
| 2154061 | 18 - 1 | | 9 - 34 | 2157639 | 2 - 12 |
| | 18A- 2 | 2154338 | 9 - 16 | 2157643 | 1 - 35 |
| 2154063 | 18A- 3 | | 9 - 35 | 2157647 | 2 - 13 |
| 2154064 | 18A- 4 | 2154339 | 9 - 9 | 2157649 | 1 - 35 |
| 2154069 | 18 - 2 | | 9 - 28 | 2157651 | 18 - 4A |
| | 18A- 5 | 2154342 | 9 - 10 | | 18A- 8 |
| 2154096 | 18 - 3 | 2154344 | 9 - 29 | 2157665 | 2 - 14 |
| | 18A- 6 | 2154348 | 10 - 27 | 2157666 | 1 - 36 |
| 2154120 | 6 - 8 | 2154349 | 10 - 28 | 2157673 | 18 - 18A |
| | 6 - 50 | 2154352 | 10 - 29 | 2157682 | 18 - 17A |
| 2154121 | 6 - 51 | 2154355 | 7 - 3 | | 18A- 28A |
| 2154124 | 6 - 24 | 2154356 | 10 - 23 | 2157683 | 18 - 17 |
| 2154127 | 6 - 36 | 2154357 | 19 - 35A | | 18A- 28 |
| 2154130 | 6 - 52 | 2154358 | 5 - 34 | 2157684 | 18 - 18 |
| | 6 - 56 | 2154360 | 5 - 35 | | 18A- 29 |
| 2154132 | 6 - 9 | 2154374 | 5 - 36 | 2157693 | 2 - 15 |
| 2154133 | 6 - 53 | 2154393 | 11 - 17 | 2160715 | 1 - 37 |
| 2154134 | 6 - 54 | 2154408 | 14 - 15 | 2160717 | 5 - 46 |
| 2154136 | 6 - 55 | 2154411 | 14 - 16 | 2160719 | 1 - 38 |
| 2154138 | 6 - 10 | 2154412 | 14 - 17 | 2160764 | 9 - 24 |
| 2154140 | 6 - 10A | 2154418 | 5 - 37 | 2160765 | 10 - 24 |
| 2154141 | 6 - 56 | 2154419 | 7 - 4 | 2160789 | 16 -112 |
| 2154143 | 6 - 11 | 2154423 | 7 - 5 | 2160790 | 16 -113 |
| 2154145 | 6 - 12 | 2154424 | 7 - 6 | 2160804 | 16 -114 |
| 2154146 | 6 - 57 | 2154426 | 7 - 7 | 2160805 | 16 -115 |
| | 6 - 57A | 2154429 | 7 - 8 | 2160808 | 16 -117 |
| 2154147 | 6 - 21 | 2154430 | 7 - 9 | | 16 -117 |
| 2154148 | 6 - 16 | 2154448 | 5 - 82 | 2160826 | 16 -119 |
| 2154149 | 5 - 27A | 2154451 | 5 - 38 | 2160837 | 18 - 5 |
| | 6 - 17 | 2154453 | 5 - 39 | | 18A- 9 |
| | 6 - 22 | 2154456 | 5 - 82A | 2160846 | 18 - 6 |
| 2154150 | 6 - 18 | 2154457 | 5 - 40 | | 18A- 10 |
| 2154151 | 6 - 23 | 2154459 | 5 - 41 | 2160847 | 16 -121 |
| 2154153 | 6 - 13 | 2154461 | 5 - 42 | 2160849 | 2 - 16 |
| 2154201 | 5 - 28 | 2154469 | 7 - 10 | 2160861 | 18 - 14 |
| 2154202 | 5 - 29 | 2154534 | 1 - 33 | | 18A- 18 |
| 2154203 | 11 - 14 | | 4 - 26 | 2160863 | 5 - 47 |
| 2154204 | 10 - 11 | 2154540 | 1 - 33 | 2160864 | 5 - 83 |
| | 11 - 7 | | 4 - 26 | 2160865 | 5A- 10 |
| 2154207 | 11 - 8 | 2154541 | 1 - 33 | 2160866 | 5 - 84 |
| 2154208 | 11 - 9 | | 4 - 26 | 2160867 | 5 - 48 |
| 2154209 | 11 - 54 | 2154542 | 1 - 33 | 2160890 | 9 - 25 |
| 2154212 | 11 - 10 | | 1 - 33 | 2160891 | 9 - 30 |
| 2154231 | 11 - 59 | | 4 - 26 | 2160892 | 9 - 31 |
| | 11 - 63 | 2154543 | 4 - 26 | 2160893 | 9 - 13 |
| 2154233 | 11 - 60 | 2154545 | 4 - 16 | | 9 - 32 |
| 2154234 | 11 - 64 | 2154659 | 11 - 18 | 2160894 | 9 - 12 |
| 2154236 | 11 - 55 | 2154687 | 16 -105 | 2160901 | 5A- 11 |
| 2154237 | 11 - 56 | | 16 -105A | 2160917 | 5A- 12 |
| 2154238 | 5 - 30 | | 16 -105B | 2160918 | 9 - 18 |
| 2154239 | 5 - 31 | 2154868 | 19 - 36 | | 9 - 37 |
| 2154243 | 11 - 30 | 2154888 | 19 - 36A | 2160951 | 13 - 13 |
| | 19 - 35 | 2154914 | 16 -106 | | 15 - 9 |

| PART NO. | LIST AND INDEX NO. |
|----------|--------------------|
| 2160953 | 15 - 10 |
| 2160959 | 13 - 14 |
| | 15 - 11 |
| 2160961 | 5 - 49 |
| 2160963 | 5 - 50 |
| 2162500 | 2 - 16A |
| 2162507 | 2 - 17 |
| 2162529 | 18A- 19 |
| 2162532 | 11 - 22 |
| 2162533 | 5 - 51 |
| 2162535 | 5 - 52 |
| 2162539 | 11 - 31 |
| 2162543 | 2 - 18 |
| 2162551 | 8 - 7 |
| | 12 - 6 |
| 2162552 | 18A- 20 |
| 2162555 | 18A- 21 |
| 2162556 | 11 - 65 |
| 2162558 | 18A- 22 |
| 2162559 | 18 - 15 |
| | 18A- 23 |
| 2162560 | 18A- 24 |
| 2162563 | 18A- 25 |
| 2162564 | 1 - 39 |
| 2162565 | 1 - 40 |
| 2162567 | 1 - 98 |
| 2162569 | 11 - 27 |
| 2162597 | 18A- 26 |
| 2162600 | 5A- 14 |
| 2162601 | 18A-REF |
| | 0 - 5 |
| 2162620 | 14 - 18 |
| 2162623 | 14 - 19 |
| 2162663 | 18 - 16 |
| | 18A- 27 |
| 2162669 | 5 - 55 |
| | 5A-REF |
| 2162679 | 2 - 62 |
| | 2 - 62 |
| 2162691 | 18 - 18A |
| 2162692 | 18 - 18A |
| 2162699 | 12 - 7 |
| 2162720 | 2 - 19 |
| 2162721 | 2 - 20 |
| 2162723 | 2 - 21 |
| 2162728 | 5 - 77G |
| 2162747 | 9 - 38 |
| 2162748 | 9 - 41 |
| 2162749 | 9 - 42 |
| 2162772 | 18 - 19 |
| 2162774 | 5 - 77 |
| 2162793 | 2 - 22 |
| | 3 - 4 |
| | 3 - 4A |
| 2162802 | 5 - 71 |
| 2162807 | 3 - 5 |
| 2162833 | 14 - 20 |
| 2162836 | 18 - 20 |
| 2162837 | 18 - 21 |
| 2162840 | 18 - 22 |
| 2162841 | 18 - 23 |
| 2162842 | 18 - 24 |
| 2162843 | 2 - 23 |
| 2162844 | 2 - 24 |
| 2162847 | 1 - 33 |
| | 4 - 26 |
| 2162848 | 1 - 33 |
| | 4 - 26 |
| 2162849 | 16 - 81 |
| | 16 - 81 |
| | 16 - 81A |
| 2162852 | 18 -REF |
| | 0 - 5 |
| 2162854 | 18 - 25 |
| 2162857 | 18 - 26 |
| 2162858 | 18 - 27 |
| 2162871 | 18 - 4A |
| 2162872 | 5 - 72 |
| 2162873 | 18 - 28 |
| 2162878 | 5 - 77H |

| PART NO. | LIST AND INDEX NO. |
|----------|--------------------|
| 2162883 | 5 - 77A |
| 2162884 | 5 - 77B |
| 2162885 | 5 - 77J |
| 2162886 | 5 - 77C |
| 2162891 | 18 - 18A |
| 2162901 | 19 - 2 |
| 2162902 | 19 - 2 |
| 2162903 | 19 - 2 |
| 2162904 | 19 - 2 |
| 2162905 | 19 - 2 |
| 2162906 | 19 - 2 |
| 2162907 | 19 - 2 |
| 2162908 | 19 - 2 |
| 2162909 | 19 - 2 |
| 2162910 | 19 - 2 |
| 2162911 | 19 - 2 |
| 2162912 | 19 - 2 |
| 2162913 | 19 - 2 |
| 2162914 | 19 - 2 |
| 2162915 | 19 - 2 |
| 2162916 | 19 - 2 |
| 2162917 | 19 - 2 |
| 2162918 | 19 - 2 |
| 2162919 | 19 - 2 |
| 2162920 | 19 - 2 |
| 2162921 | 19 - 2 |
| 2162922 | 19 - 2 |
| 2162923 | 19 - 2 |
| 2162924 | 19 - 2 |
| 2162925 | 19 - 2 |
| 2162926 | 19 - 2 |
| 2162927 | 19 - 2 |
| 2162928 | 19 - 2 |
| 2162929 | 19 - 2 |
| 2162930 | 19 - 2 |
| 2162931 | 19 - 2 |
| 2162932 | 19 - 2 |
| 2162933 | 19 - 2 |
| 2162934 | 19 - 2 |
| 2162934 | 19 - 2 |
| 2162951 | 2 - 36 |
| | 2 - 49C |
| 2162953 | 2 - 37 |
| 2162954 | 2 - 38 |
| 2162955 | 2 - 39 |
| 2162956 | 2 - 40 |
| 2162957 | 2 - 41 |
| 2162958 | 2 - 42 |
| 2162959 | 2 - 25 |
| 2162961 | 2 - 26 |
| 2162962 | 2 - 27 |
| 2162963 | 2 - 28 |
| 2162964 | 2 - 29 |
| 2162965 | 2 - 30 |
| 2162966 | 2 - 31 |
| 2162967 | 2 - 43 |
| 2162969 | 2 - 32 |
| 2162972 | 2 - 33 |
| 2162974 | 2 - 34 |
| 2162977 | 2 - 44 |
| | 2 - 50 |
| 2162978 | 2 - 51 |
| 2173758 | 5 - 77K |
| 2178420 | 16 -122 |
| 2178469 | 19 - 37 |
| 2178470 | 19 - 37A |
| 2178516 | 16 -123 |
| 2178523 | 16 -124 |
| 2178526 | 19 - 75 |
| 2178540 | 1 - 91 |
| 2178541 | 1 - 91 |
| 2178542 | 1 - 91 |
| 2178543 | 1 - 91 |
| 2178554 | 14 - 21 |
| 2178596 | 17B- 6 |
| 2178597 | 17 - 25 |
| | 17B- 7 |
| | 17C- 19 |
| 2180400 | 1 - 41 |
| | 5 -REF |
| 2180408 | 7 - 11 |

| PART NO. | LIST AND INDEX NO. |
|----------|--------------------|
| 2180410 | 5 - 78 |
| | 6 -REF |
| 2180413 | 6 - 58 |
| 2180414 | 6 - 24 |
| 2180416 | 6 - 58A |
| 2180417 | 6 - 59 |
| 2180419 | 6 - 25 |
| 2180420 | 5 - 79 |
| | 7 -REF |
| 2180421 | 6 - 60 |
| 2180423 | 6 - 35 |
| | 6 - 60A |
| 2180424 | 6 - 26 |
| 2180425 | 6 - 61 |
| 2180426 | 6 - 61A |
| 2180427 | 6 - 61B |
| | 6 - 61C |
| 2180429 | 6 - 27 |
| 2180430 | 6 - 28 |
| 2180431 | 6 - 36 |
| 2180432 | 6 - 29 |
| 2180439 | 5 - 80 |
| 2180443 | 10 - 26 |
| 2180444 | 10 - 30 |
| 2180445 | 11 - 23 |
| 2180446 | 11 - 26 |
| 2180447 | 11 - 32 |
| 2180451 | 11 - 33 |
| 2180452 | 11 - 36 |
| 2180455 | 11 - 39 |
| 2180462 | 11 - 43 |
| 2180464 | 9 - 43 |
| 2180465 | 6 - 30 |
| 2180467 | 6 - 62 |
| 2180468 | 6 - 31 |
| 2180470 | 1 - 42 |
| | 2 -REF |
| 2180471 | 2 - 52 |
| 2180472 | 5 - 81 |
| 2180475 | 1 - 43 |
| 2180476 | 1 - 44 |
| 2180478 | 5 - 87 |
| 2180479 | 8 - 8 |
| 2180480 | 5 - 88 |
| | 8 -REF |
| 2180484 | 8 - 9 |
| 2180486 | 5 - 89 |
| 2180487 | 5 -110 |
| 2180491 | 5 - 90 |
| 2180492 | 5 - 85 |
| 2180497 | 5 -111 |
| 2180499 | 1 - 45 |
| | 8 - 17 |
| 2180500 | 1 -REF |
| | - 1 |
| 2180501 | 9 - 44 |
| | 10 -REF |
| 2180502 | 11 - 66 |
| 2180503 | 9 - 45 |
| 2180505 | 9 - 46 |
| 2180510 | 9 - 47 |
| | 11 -REF |
| 2180511 | 5 - 91 |
| 2180519 | 1 - 46 |
| 2180520 | 5 - 92 |
| | 9 -REF |
| 2180521 | 5 - 93 |
| 2180522 | 5 - 94 |
| 2180524 | 5 - 95 |
| 2180525 | 12 - 8 |
| 2180526 | 5 - 96 |
| 2180527 | 12 - 9 |
| 2180528 | 9 - 48 |
| 2180529 | 10 - 25 |
| 2180531 | 5 - 97 |
| | 12 -REF |
| 2180548 | 7 - 12 |
| 2180560 | 1 - 47 |
| 2180561 | 1 - 48 |
| 2180562 | 1 - 49 |

| PART NO. | LIST AND INDEX NO. |
|----------|--------------------|
| 2180563 | 1- 1 - 50 |
| 2180611 | 1- 5 - 98 |
| 2180612 | 1- 5 - 99 |
| 2180613 | 1- 12 - 10 |
| 2180624 | 1- 5 -100 |
| 2180625 | 1- 12 - 11 |
| 2180659 | 1- 19 - 38 |
| 2180660 | 1- 19 - 39 |
| 2180661 | 1- 19 - 40 |
| 2180662 | 1- 19 - 41 |
| 2180663 | 1- 19 - 42 |
| 2180664 | 1- 19 - 43 |
| 2180665 | 1- 19 - 43A |
| 2180666 | 19 - 43B |
| 2180667 | 19 - 43C |
| 2180668 | 19 - 44 |
| 2180669 | 19 - 45 |
| 2180670 | 19 - 46 |
| 2180671 | 19 - 47 |
| 2180672 | 19 - 48 |
| 2180673 | 19 - 49 |
| 2180675 | 11 - 49 |
| 2180677 | 16 -125 |
| 2180678 | 16 -126 |
| 2180679 | 1 - 51 |
| 2180680 | 1 - 52 |
| | 16 -REF |
| 2180681 | 16 -127 |
| 2180682 | 16 -128 |
| 2180683 | 17 - 18 |
| | 17C- 15 |
| 2180684 | 4 - 19 |
| | 4A- 16 |
| 2180685 | 16 -129 |
| 2180686 | 16 -130 |
| 2180687 | 1 - 53 |
| 2180688 | 16 -131 |
| 2180689 | 17 - 19 |
| | 17C- 16 |
| 2180690 | 1 - 54 |
| 2180691 | 1 - 55 |
| | 16 -132 |
| 2180692 | 1 - 56 |
| | 16 -133 |
| 2180693 | 0 - 7 |
| | 0 - 7 |
| 2180701 | 9 - 49 |
| 2180702 | 5 -101 |
| | 5 -101 |
| 2180709 | 5 -102 |
| 2180714 | 1 - 57 |
| | 1 - 57 |
| 2180716 | 19 - 51 |
| 2180720 | 17 - 20 |
| | 17C- 17 |
| 2180721 | 17 - 22 |
| 2180722 | 17 - 23 |
| 2180723 | 1 - 58 |
| 2180727 | 17 - 26 |
| | 17C- 20 |
| 2180733 | 17 - 27 |
| | 17C- 21 |
| 2180735 | 1 - 59 |
| 2180737 | 1 - 60 |
| 2180740 | 1 - 61 |
| | 1 - 61 |
| | 17 -REF |
| | 1- 17C-REF |
| 2180744 | 1- 17 - 24 |
| | 1- 17C- 18 |
| 2180746 | 1- 19 - 51A |
| | 33- 0 - 6 |
| 2180747 | 1- 19 - 51F |
| 2180748 | 1- 13 - 15 |
| 2180749 | 1- 5 -103 |
| | 1- 13 -REF |
| 2180750 | 1- 15 - 12 |
| 2180752 | 1- 5 -104 |
| 2180753 | 1- 16 -134 |
| 2180755 | 1- 16 -135 |

| PART NO. | LIST AND INDEX NO. |
|----------|--------------------|
| 2180760 | 6 - 63 |
| | 6 - 67 |
| 2180761 | 5 -105 |
| 2180762 | 5 -106 |
| 2180763 | 6 - 32 |
| 2180764 | 6 - 37 |
| 2180765 | 6 - 33 |
| 2180768 | 6 - 38 |
| 2180769 | 6 - 42 |
| 2180771 | 6 - 43 |
| 2180772 | 6 - 44 |
| 2180773 | 6 - 45 |
| 2180774 | 6 - 46 |
| 2180776 | 6 - 47 |
| 2180777 | 6 - 69 |
| 2180778 | 6 - 70 |
| 2180779 | 7 - 13 |
| 2180781 | 1 - 33 |
| | 4 - 26 |
| 2180782 | 1 - 33 |
| | 4 - 26 |
| 2180785 | 6 - 64 |
| 2180786 | 6 - 65 |
| 2180787 | 7 - 14 |
| 2180789 | 7 - 15 |
| 2180792 | 7 - 16 |
| 2180793 | 6 - 66 |
| 2180796 | 19 - 52 |
| 2180797 | 17 - 29 |
| | 17C- 23 |
| 2180798 | 7 - 17 |
| 2180799 | 5 -112 |
| 2180835 | 5 -113 |
| 2180841 | 16 -136 |
| 2180842 | 16 -137 |
| 2180843 | 16 -138 |
| 2180845 | 1 - 67C |
| 2180846 | 1 - 67D |
| 2180847 | 1 - 67E |
| 2180848 | 1 - 67F |
| 2180850 | 1 -REF |
| | 0 - 1 |
| 2180852 | 1 - 52 |
| | 16 -REF |
| 2180853 | 16 -131 |
| 2180854 | 16 -127 |
| 2180855 | 0 - 7 |
| | 0 - 7 |
| 2180860 | 1 - 41 |
| | 5 -REF |
| 2180861 | 0 - 2 |
| 2180862 | 0 - 2 |
| 2180863 | 0 - 2 |
| 2180864 | 5 -135 |
| 2180868 | 5 -106 |
| 2180870 | 18 - 29 |
| 2180871 | 18 - 30 |
| 2180872 | 18 - 31 |
| 2180873 | 1 - 67 |
| 2180889 | 5 - 80 |
| 2180890 | 1 -108 |
| 2180894 | 1 - 92 |
| | 2A-REF |
| 2180895 | 1 - 92A |
| | 2A-REF |
| 2180896 | 2A- 4 |
| | 2A- 4 |
| 2180897 | 2A- 4 |
| | 2A- 4 |
| 2180898 | 8 - 10 |
| 2180900 | 1 - 93 |
| | 0 - 1 |
| 2180901 | 1 - 99 |
| 2180902 | 1 -100 |
| 2180903 | 8 - 11 |
| 2180904 | 8 - 12 |
| 2180905 | 8 - 13 |
| 2180906 | 8 - 14 |
| 2180907 | 8 - 15 |
| 2180909 | 8 - 16 |

| PART NO. | LIST AND INDEX NO. |
|----------|--------------------|
| 2180910 | 1 - 90 |
| | - 1 |
| 2180911 | 1 - 90 |
| | - 1 |
| 2180912 | 1 - 90 |
| | - 1 |
| 2180913 | 1 - 90 |
| | - 1 |
| 2180914 | 19 - 53 |
| 2180915 | 1 -101 |
| 2180916 | 5 - 35 |
| | 5 -114 |
| 2180917 | 5 -115 |
| 2180918 | 1 - 81 |
| | 1 - 81 |
| | 4 -REF |
| | 4A-REF |
| 2180919 | 1 - 81 |
| | 1 - 81 |
| | 4 -REF |
| | 4A-REF |
| 2180920 | 4 - 20 |
| | 4A- 17 |
| 2180921 | 4 - 21 |
| | 4A- 18 |
| | 4A- 18 |
| 2180923 | 5 -123 |
| 2180924 | 5 -124 |
| 2180925 | 6 - 67 |
| 2180928 | 5 -125 |
| 2180930 | 5 -126 |
| 2180932 | 6 - 68 |
| 2180933 | 17 - 30A |
| 2180938 | 4A- 19 |
| | 4A- 19 |
| | 4A- 19 |
| 2180939 | 4A- 19 |
| 2180940 | 4A- 33 |
| 2180941 | 4A- 33 |
| 2180942 | 4A- 33 |
| 2180943 | 4A- 33 |
| 2180944 | 4A- 33 |
| 2180945 | 4A- 33 |
| 2180946 | 4A- 33 |
| 2180947 | 4A- 33 |
| 2180948 | 4A- 20 |
| | 4A- 20 |
| 2180949 | 4A- 20 |
| 2180950 | 4A- 20 |
| 2180962 | 2A- 5 |
| 2180963 | 2A- 6 |
| | 2A- 6 |
| | 2A- 6 |
| | 2A- 6 |
| | 2A- 6 |
| 2180964 | 2A- 7 |
| 2180965 | 2A- 8 |
| | 2A- 8 |
| | 2A- 8 |
| | 2A- 8 |
| 2180966 | 2 - 53 |
| 2180967 | 2 - 54 |
| 2180968 | 1 - 67G |
| 2180969 | 16 -139 |
| 2180970 | 16 -140 |
| 2180972 | 17 - 30 |
| | 17A- 24 |
| | 17C- 24 |
| | 19 - 54 |
| 2180973 | 17A- 24A |
| | 17B- 17 |
| | 19 - 55 |
| 2180974 | 17 - 28 |
| | 17C- 22 |
| | 2 - 45 |
| 2180976 | 16 -141 |
| 2180977 | 16 -142 |
| 2180978 | 14 - 22 |
| 2180983 | 14 - 22 |
| 2180984 | 14 - 23 |
| 2180985 | 14 - 24 |
| 2180986 | 5 -134 |

| PART NO. | LIST AND INDEX NO. |
|--------------|--------------------|
| 2180986-CONT | 14 -REF |
| 2180988 | 5 -135 |
| 2180989 | 5 -136 |
| 2180990 | 5 -137 |
| 2180991 | 2 - 46 |
| 2180993 | 17C- 25 |
| 2181000 | 2 - 47 |
| 2181004 | 1 - 16 |
| | 1 - 86 |
| 2181005 | 16 - 31 |
| | 1 - 1A |
| | 2 - 55 |
| | 17 - 14A |
| | 17 - 31 |
| | 17 - 31 |
| | 17 - 31A |
| | 17A- 25 |
| | 17A- 25A |
| | 17B- 8 |
| | 17C- 26 |
| 2181006 | 17 - 32 |
| 2181007 | 17 - 33 |
| | 17 - 33 |
| | 17C- 27 |
| 2181008 | 2 - 56 |
| 2181009 | 2 - 48 |
| 2181010 | 2 - 49 |
| | 7 - 2A |
| 2181011 | 2 - 57 |
| 2181012 | 2 - 58 |
| | 4A- 21 |
| 2181013 | 16 -143 |
| 2181021 | 2 - 59 |
| 2181022 | 1 - 82 |
| 2181023 | 1 - 83 |
| 2181024 | 1 - 92 |
| | 2A-REF |
| 2181025 | 0 - 7 |
| 2181027 | 1 - 92A |
| | 2A-REF |
| 2181028 | 2A- 10 |
| | 2A- 10 |
| 2181029 | 2A- 11 |
| | 2A- 11 |
| 2181030 | 1 - 91 |
| 2181031 | 1 - 91 |
| 2181032 | 1 - 91 |
| 2181033 | 1 - 91 |
| 2181034 | 1 - 90 |
| | 0 - 1 |
| 2181035 | 1 - 90 |
| | 0 - 1 |
| 2181036 | 1 - 90 |
| | 0 - 1 |
| 2181037 | 1 - 90 |
| | 0 - 1 |
| 2181038 | 5 -137A |
| 2181039 | 1 - 46 |
| 2181040 | 5 -137B |
| 2181041 | 7 - 18 |
| | 7 - 18 |
| 2181042 | 5 -137C |
| 2181043 | 1 - 83A |
| 2181044 | 5 - 59 |
| 2181046 | 5 - 60 |
| 2181051 | 5 - 61 |
| 2181052 | 5 -137D |
| 2181053 | 5 -137E |
| 2181054 | 5 -137F |
| 2181055 | 5 - 62 |
| 2181056 | 7 - 11 |
| 2181058 | 7 - 16 |
| | 7 - 16 |
| 2181059 | 5 - 55 |
| 2181062 | 5 - 79 |
| | 7 -REF |
| 2181067 | 5 -138 |
| | 15 -REF |
| 2181070 | 1 - 84 |
| 2181072 | 2 - 23 |

| PART NO. | LIST AND INDEX NO. |
|----------|--------------------|
| 2181073 | 2 - 24 |
| 2181074 | 6 - 57A |
| 2181075 | 6 - 16 |
| 2181076 | 6 - 14 |
| 2181086 | 2 - 53 |
| 2181087 | 2 - 54 |
| 2181088 | 17 - 32 |
| | 17C- 28 |
| 2181090 | 16 - 75A |
| 2181092 | 16 -144 |
| | 16 -144 |
| 2181094 | 17B- 20A |
| 2181100 | 17B- 9 |
| 2181101 | 17A- 26 |
| 2181102 | 17A- 26A |
| 2181103 | 17B- 10 |
| 2181104 | 17A- 27 |
| 2181106 | 17A- 31 |
| 2181107 | 17B- 11 |
| 2181109 | 17B- 18 |
| 2181110 | 17A- 32 |
| 2181112 | 17A- 33 |
| 2181113 | 17A- 34 |
| 2181114 | 17B- 12 |
| 2181115 | 17B- 21 |
| 2181116 | 17B- 22 |
| 2181117 | 17A- 35 |
| 2181119 | 17A- 36 |
| 2181129 | 17B- 23 |
| 2181132 | 17B- 24 |
| 2181133 | 17A- 37 |
| 2181141 | 17A- 27 |
| 2181146 | 5 - 83 |
| 2181148 | 13 - 15 |
| 2181149 | 5 -103 |
| | 13 -REF |
| 2181171 | 6 - 16 |
| 2181172 | 6 - 18 |
| 2181173 | 6 - 14 |
| 2181174 | 6 - 61C |
| 2181175 | 6 - 61B |
| 2181177 | 6 - 57 |
| 2181178 | 6 - 57A |
| 2181181 | 6 - 64 |
| 2181182 | 6 - 55 |
| 2181183 | 6 - 62 |
| 2181184 | 6 - 59 |
| 2181185 | 6 - 47 |
| 2181186 | 5 - 37 |
| 2181189 | 1 - 56 |
| | 16 -133 |
| 2181190 | 0 - 7 |
| | 0 - 7 |
| | 0 - 7 |
| | 0 - 7 |
| 2181194 | 11 - 33 |
| 2181195 | 11 - 36 |
| 2181199 | 1 - 84A |
| | 16 -145 |
| 2181201 | 19 - 67 |
| | 0 - 7 |
| | 0 - 7 |
| 2181202 | 19 - 69 |
| 2181203 | 19 - 70 |
| 2181204 | 1 - 84B |
| | 16 -146 |
| 2181205 | 1 - 84C |
| | 16 -147 |
| 2181206 | 1 - 84D |
| | 16 -148 |
| 2181207 | 1 - 4 |
| | 16 - 4A |
| 2181209 | 5 - 39 |
| 2181211 | 19 - 71 |
| 2181213 | 5 -138 |
| | 15 -REF |
| 2181216 | 6 - 19 |
| 2181217 | 6 - 21 |
| 2181225 | 1 - 93 |
| | 0 - 1 |

| PART NO. | LIST AND INDEX NO. |
|----------|--------------------|
| 2181233 | 5 -139 |
| 2181234 | 17B- 5 |
| 2181235 | 17A- 12 |
| 2181236 | 5 -111 |
| 2181239 | 5 - 85 |
| | 6 - 36 |
| 2181240 | 5 -138 |
| | 15 -REF |
| 2181245 | 2 - 49A |
| 2181249 | 4A- 18 |
| 2181250 | 4A- 18 |
| 2181257 | 9 - 43 |
| 2181258 | 16 -122 |
| 2181261 | - 7 |
| 2181262 | - 7 |
| 2181263 | - 7 |
| 2181264 | - 7 |
| 2181265 | - 7 |
| 2181266 | 19 - 74 |
| 2181270 | 5 -126 |
| 2181271 | 1 - 84E |
| 2181272 | 1 - 84F |
| 2181273 | 5 - 90 |
| 2181274 | 5 - 78 |
| | 5 - 78 |
| | 6 -REF |
| 2181276 | 5 -126 |
| 2181277 | 16 -149 |
| 2181283 | 5 -135C |
| 2181284 | 16 - 86 |
| 2181285 | 5 -135D |
| 2181286 | 5 -135D |
| 2181288 | 5 - 86 |
| 2181289 | 5 - 86A |
| 2181290 | 1 - 82 |
| 2181291 | 1 - 38 |
| 2181295 | 5 -135 |
| 2181296 | 5 -135 |
| 2181314 | 2 - 59A |
| 2181324 | 10 - 21 |
| 2181325 | 11 - 15 |
| 2181326 | 11 - 12 |
| 2181329 | 11 - 11 |
| 2181331 | 17C- 41 |
| 2181332 | 16 -122 |
| 2181334 | 16 -151 |
| 2181347 | 9 - 38 |
| 2181385 | 17C- 29 |
| 2181388 | 16 -138 |
| 2181398 | 17C- 36 |
| 2181399 | 17C- 37 |
| 2184182 | 19 - 56 |
| 2184183 | 19 - 56A |
| 2191846 | 17A- 38 |
| 2192509 | 17 - 34 |
| | 17C- 42 |
| | - 8 |
| 2194011 | 17A-REF |
| 2200012 | - 4 |
| 2200013 | 17A- 2 |
| 2200014 | 17A- 1 |
| | 17B-REF |
| 2200018 | 18 -REF |
| | - 5 |
| 2218103 | 18 - 4A |
| 2218117 | 18 - 5 |
| 2218636 | 9 - 42 |
| 2218668 | 16 -105B |
| 2218673 | 7 - 11 |
| 2218674 | 5 - 79 |
| | 7 -REF |
| 2244018 | 17C- 37 |
| 2244021 | 17C- 39 |
| 2244026 | 8 - 6 |
| 2244027 | 18 - 17B |
| | 18A- 28B |
| 2244028 | 18 - 17C |
| | 18A- 28C |
| 2244031 | 18 - 17 |
| | 18A- 28 |

| PART NO. | LIST AND INDEX NO. |
|----------|--------------------|
| 2244038 | 18 - 17D |
| | 18A- 28D |
| 2244042 | 5 -140 |
| 2244043 | 5 -141 |
| 2244046 | 5 -142 |
| 2244049 | 5 -103 |
| | 13 -REF |
| 2244205 | 5 -143 |
| 2244948 | 17B- 12 |
| 2244951 | 17A- 34 |
| 2414877 | 15 - 13 |
| 2414895 | 13 - 8 |
| | 13 - 9 |
| | 15 - 4 |
| | 15 - 14 |
| 2414920 | 13 - 16 |
| 2414924 | 4 - 22 |
| 4061423 | 4 - 16 |
| 4061426 | 4 - 17 |
| 4061427 | 4 - 17 |
| 4061518 | 5 - 71 |
| 4061678 | 2 - 62 |
| 4061679 | 2 - 62 |
| 4061725 | 1 - 87 |

| PART NO. | LIST AND INDEX NO. |
|----------|--------------------|
| 4100328 | 5 -125 |
| 4117458 | 16 -122 |
| 4121202 | 16 - 74 |
| 4207403 | 1 - 57 |
| 4207404 | 1 - 57 |
| 4251623 | 0 - 1 |
| 5102917 | 5 -111 |
| 5212727 | 16 -152 |
| 5213274 | 19 - 57 |
| 5308492 | 16 -143 |
| | 16 -153 |
| | 16 -154 |
| 5319854 | 4 - 23 |
| | 4A- 22 |
| | 17B- 25 |
| 5319888 | 1 - 85 |
| 5348495 | 1 - 86 |
| 5350006 | 2 - 60 |
| 5350012 | 2 - 61 |
| 5352960 | 19 - 73 |
| 5353883 | 17A- 39 |
| | 17B- 26 |
| 5353887 | 17A- 40 |
| | 17B- 27 |

| PART NO. | LIST AND INDEX NO. |
|----------|--------------------|
| 5353889 | 17A- 41 |
| | 17B- 28 |
| 5362163 | 4A- 6 |
| 5362301 | 17B- 22C |
| | 19 - 58 |
| 5393130 | 19 - 74A |
| 5700484 | 17A- 42 |
| | 17B- 29 |
| 5800610 | 19 - 62 |
| 5800634 | 17B- 19 |
| 5800736 | 19 - 51G |
| | 19 - 72 |
| 5801245 | 17B- 30 |
| 5801246 | 17B- 20 |
| 5804271 | 1 -109 |
| 5805007 | 19 - 59 |
| 5805008 | 19 - 60 |
| 5805009 | 19 - 61 |
| 5811144 | 17 - 35 |
| | 17C- 43 |
| 5819436 | 19 - 77 |
| 7350362 | 1 - 87 |
| 8010761 | 16 - 27 |

RELEASED MAINZ

INDEX

| | |
|--|--------|
| UNPACKING & MACHINE LOCATION | PAGE 2 |
| BASEPLATE GROUNDING CHECK | 2 |
| CABLING TO FILE CONTROL UNIT | 2 |
| MECHANICAL CHECKS | 3 |
| POWER CHECK (DISK PACK OFF) | 3 |
| HEAD - DISK CHECK (POWER OFF) | 4 |
| FILE MOTOR & HEAD LOADING CHECK | 5 |
| HEAD UNLOADING CHECK | 6 |
| POWER - ON MOTOR SEQUENCE CHECK | 6 |
| HEAD ALIGNMENT CHECK | 6 |
| GENERAL CHECKS | 6 |
| HYDRAULIC SUMP RELIEF INSTALLATION (WTC) | 8 |

PUNCH 23 HOLES ON THIS SIDE



| APPROVAL | CHECK | MAT. LAB. | COMP. LAB. |
|-------------|-------|-----------|------------|
| <i>Gen.</i> | | | |
| 17.5.68 | | | |

| ENO. DATE | CHANGE NO. | 21JUN66 | 26JUN67 | 13MAR68 | | |
|-----------|------------|---------|---------|---------|--|--|
| | 411125 | 408081B | 411309 | 411355 | | |



**FIELD ENGINEERING
INSTALLATION INSTRUCTIONS**

P/N 2181069
SHEET 2 OF 8

MACHINE TYPE 2311

RELEASED MAINZ

NOTE: DO THE FOLLOWING STEPS IN THE SEQUENCE GIVEN UNLESS OTHERWISE NOTED.

A - UNPACKING AND MACHINE LOCATION

1. REMOVE PACKING. CHECK MACHINES FOR POSSIBLE SHIPPING DAMAGE.
2. INVENTORY THE PARTS IN THE SHIPPING GROUP.
3. POSITION THE FILES IN THEIR APPROXIMATE FINAL LOCATIONS (REFER TO FIGURE 1).
4. REMOVE FRONT AND REAR COVERS. LEAVE TOP COVERS IN PLACE.
5. REMOVE SHIPPING BRACES, ETC.

B - BASEPLATE GROUNDING CHECK

1. MEASURE RESISTANCE BETWEEN GATE DC TERMINAL #1 AND FRAME GROUND ON FILES WHICH HAVE FEED-THRU FILTER CAPACITORS MOUNTED ON THE GATE ASSEMBLY. MEASURE RESISTANCE BETWEEN GATE DC TERMINAL #7 AND FRAME GROUND ON FILES WHICH DO NOT HAVE FEED-THRU CAPACITORS. IN BOTH CASES THE READING SHOULD BE 2 MEGOHMS OR HIGHER. ANY LOWER READING INDICATES AN ERRONEOUS GROUND BETWEEN BASEPLATE AND MACHINE FRAME, WHICH MUST BE ELIMINATED BEFORE PROCEEDING.
(THE BASEPLATE IS THE LARGE ALUMINUM PLATE ON WHICH THE ACCESS IS MOUNTED. IT IS NORMALLY GROUNDED AT ONE POINT ONLY BY MEANS OF A LEAD CONNECTED TO THE GATE DC TERMINAL #1).
IF NO EXTRA GROUNDS EXIST, CONTINUE.
2. REPEAT ITEM B1 FOR EACH FILE.

C - CABLING TO FCU (REFER TO FIG. 1)

1. REMOVE ALL AC POWER TO THE "SOURCE" UNIT SUPPLYING POWER TO THE 2311 FILES (2020-2841 ETC.)
2. INSTALL ONE AC CABLE BETWEEN FCU AND FILE MODULE 0, PLUGGING ONE END INTO THE SOURCE UNIT AC PLUG PROVIDED, AND PLUGGING THE OTHER END INTO "AC IN" FILE MODULE 0.
3. IF ADDITIONAL FILES ARE BEING INSTALLED, CONNECT THE NEXT AC CABLE BETWEEN "AC OUT" MODULE 0 AND "AC IN" MODULE 1. CONTINUE INSTALLING FILE AC CABLES IN ASCENDING ORDER OF MODULE NUMBERS.
NOTE: THE HIGH ORDER MODULE WILL NOT HAVE ANY CONNECTION IN THE "AC OUT" RECEPTACLE.
4. INSTALL ONE SEQUENCE/SIGNAL CABLE BETWEEN SOURCE UNIT AND FILE MODULE 0, PLUGGING ONE END INTO THE SOURCE UNIT SEQUENCE/SIGNAL PLUG PROVIDED, AND PLUGGING THE OTHER END INTO "SIGNAL IN" FILE MODULE 0.
5. IF ADDITIONAL FILES ARE BEING INSTALLED, CONNECT THE REMAINING SEQUENCE/SIGNAL CABLES BETWEEN MODULES IN ASCENDING ORDER. A 2311 SIGNAL TERMINATOR MUST BE PLUGGED INTO THE "SIGNAL OUT" RECEPTACLE OF THE HIGH ORDER MODULE. (TERMINATOR IS SUPPLIED IN THE SHIPPING GROUP OF THE SOURCE UNIT TO WHICH THE FILES ARE ATTACHED).

| | | | | | | |
|------------|--------|-----------|-----------|-----------|--|--|
| ENG. DATE | | 21 JUN 66 | 26 JUN 67 | 13 MAR 68 | | |
| CHANGE NO. | 411125 | 408081B | 411309 | 411355 | | |



FIELD ENGINEERING
INSTALLATION INSTRUCTIONS

P/N 2181069
SHEET 3 OF 8

MACHINE TYPE 2311

RELEASED MAINZ

6. INSTALL ONE DC/DATA CONTROL CABLE BETWEEN SOURCE UNIT AND EACH OF THE FILES. THE DC PLUGS IN SOURCE UNIT ARE LABELLED TO INDICATE THE MODULE TO BE CONNECTED; THE OTHER END (OF EACH CABLE) PLUGS INTO THE DC RECEPTACLE ON THE SEQUENCE PANEL OF EACH FILE.

D - MECHANICAL CHECKS

1. LEVEL MACHINE

- a. LOOSEN LOCKNUTS ON REAR CASTORS.
 - b. ADJUST ONE OR BOTH REAR CASTORS UNTIL MACHINE IS LEVEL AND RESTING ON ALL FOUR CASTORS. (NOTE: IN LEVELLING, IT MAY BE NECESSARY TO SLIGHTLY ADJUST ONE OF THE FRONT CASTORS IF THE FLOOR IS UNEVEN).
 - c. AFTER LEVELLING MACHINE, LOWER EACH REAR CASTOR ONE FULL TURN. (THIS WILL RAISE THE MACHINE APPROXIMATELY 1/8").
 - d. LOWER THE TWO STABILIZING JACKS (REAR OF MACHINE) UNTIL THEY CONTACT THE FLOOR. LOCK IN PLACE.
 - e. RAISE THE REAR CASTORS UNTIL THEY CLEAR THE FLOOR, THEN LOCK IN PLACE.
2. CHECK THAT THE INDEX TRANSDUCER RETRACTS FULLY WHEN THE CUSTOMER COVER IS RAISED. CLOSE CUSTOMER COVER AND REMOVE ENTIRE TOP COVER FROM THE MACHINE.
 3. CHECK OIL LINES AND FITTINGS FOR LEAKS AND BASE CASTING FOR SIGNS OF OIL.
 4. WTC MACHINES ONLY: INSTALL CUP P/N 2180771 AND WASHER P/N 2180769 TO HYDRAULIC SUMP. REF. PAGE 8 OF THESE INSTRUCTIONS.
 5. CHECK TORSION RODS FOR PROPER SEATING AGAINST R/W HEADS: CHECK THAT ARMS ARE SEATED AGAINST ADJUSTING SCREWS AND THAT ARM CLAMPS ARE SNUG.
 6. CHECK THE R/W HEAD PLUGS FOR LOOSE CONNECTIONS.
 7. CHECK TRANSDUCERS FOR LOOSE CONNECTORS.
 8. CHECK TERMINAL BLOCK AT BACK END OF ACTUATOR FOR LOOSE TERMINALS AND SHORTS.
 9. CHECK MOTOR DRIVE BELT AND PUMP PULLEY FOR SIGNS OF OIL INDICATING A POSSIBLE DEFECTIVE OIL SEAL IN THE PUMP.
 10. CHECK THAT SLT CARDS AND PADDLE CARDS ARE SECURELY PLUGGED IN THE GATE.
 11. REPEAT STEPS D1 - D9 FOR ALL FILES BEING INSTALLED.

E. POWER CHECK (DISK PACK OFF)

1. a. 60 CYCLE MACHINES SER. NO. 19477 AND LOWER CONNECT JUMPER ON FILE +36 VOLT POWER SUPPLY TB-1 TO MATCH THE AC INPUT VOLTAGE (SEE LOGIC FD111).

| | | | | | | |
|------------|--------|---------|---------|---------|--|--|
| ENG. DATE | | 21JUN66 | 26JUN67 | 13MAR68 | | |
| CHANGE NO. | 411125 | 408081B | 411309 | 411355 | | |



**FIELD ENGINEERING
INSTALLATION INSTRUCTIONS**

P/N 2181069
SHEET 4 OF 8

MACHINE TYPE 2311

RELEASED MAINZ

b. 50 CYCLE

- (1) CONNECT TRANSFORMER TAPS AT PSTB-1 TO MATCH THE AC INPUT VOLTAGE (SEE LOGIC FD111).
 - (2) CONNECT JUMPER AT TS-2 FOR THE CONFIGURATION OF AC INPUT (i.e. Δ OR Y) (SEE LOGIC FD110).
2. TURN OFF ALL FILE AC DISCONNECT SWITCHES.
 3. REPEAT STEP E1 a. OR b. ON ALL FILES BEING INSTALLED.
 4. TURN OFF ALL FILE START/STOP SWITCHES. TURN ON FCU POWER. TURN ON FILE AC DISCONNECT SWITCHES.

5. CHECK THE FOLLOWING VOLTAGES AT THE GATE DC TERMINAL STRIP USING GATE DC GROUND TERMINALS 5, 6, AND 7 (JUMPED) AS A REFERENCE: ADJUST AS NEEDED.
NOTE: VOLTAGES SUPPLIED BY "SOURCE" UNIT 2020-2841 ETC. MUST BE MEASURED AT SUPPLY BUSS IN "SOURCE" UNIT WHILE ADJUSTING. USE THE "SOURCE" UNIT INSTALLATION INSTRUCTIONS FOR ADJUSTING VOLTAGES SUPPLIED BY THE "SOURCE" UNIT.

| <u>VOLTAGE</u> | <u>TERMINAL NO.</u> | <u>TOLERANCE</u> | <u>SOURCE</u> |
|----------------|---------------------|--------------------|------------------------------|
| +36 | 2 | +8% (33.1 to 38.9) | 2311 |
| + 6 | 3 | +4% (5.75 to 6.25) | "SOURCE" UNIT 2020-2841 ETC. |
| + 3 | 4 | +4% (2.9 to 3.1) | "SOURCE" UNIT 2020-2941 ETC. |
| - 3 | 8 | +4% (2.9 to 3.1) | "SOURCE" UNIT 2020-2941 ETC. |
| -36 | 9 | +4% (34.6 to 37.4) | "SOURCE" UNIT 2020-2941 ETC. |

6. REPEAT STEP E5 ON ALL FILES BEING INSTALLED.
7. TURN OFF 2311 AC DISCONNECT SWITCHES. TURN OFF ALL FCU POWER.

F - HEAD-DISK CHECK (POWER OFF)

1. INSPECT CE DISK PACK FOR SHIPPING DAMAGE.
2. VACUUM ENTIRE BASE PLATE AND CLEAN INSIDE OF SHROUD; SEE F.E. MAINTENANCE MANUAL.
3. CLEAN R/W HEADS; SEE F.E. MAINTENANCE MANUAL.
4. CHECK ADJUSTMENT OF THE HEAD UNLOAD KNOCKOFF; SEE 2311 F.E. MAINTENANCE MANUAL P/N Y26-5923.
5. BEFORE MOUNTING CE PACK, INSURE THAT THE DISK PACK BRUSHES ARE NOT EXTENDED INTO THE SHROUD AREA SO AS TO INTERFERE WITH THE DISK PACK. THE BRUSHES CAN BE MANUALLY PUSHED FROM WITHIN THE SHROUD AREA. ALSO INSURE THAT THE INDEX TRANSDUCER CLEARS THE PACK AS THE PACK IS LOWERED INTO PLACE.

| | | | | | | |
|------------|--------|-------------------|-------------------|-------------------|--|--|
| ENG. DATE | 411125 | 21JUN66 08081B | 26JUN67 411309 | 13MAR68 411355 | | |
| CHANGE NO. | | | | | | |



FIELD ENGINEERING
INSTALLATION INSTRUCTIONS

P/N 2181069
SHEET 5 OF 8

MACHINE TYPE 2311

RELEASED MAINZ

6. MOUNT CE PACK.
NOTE: TO ENERGIZE THE ELECTRICAL BRAKE ON EARLY MODELS, TURN ON FCU POWER AND TURN ON THE FILE DISCONNECT SWITCH. ON LATER MODELS THE BRAKE IS MECHANICAL AND IS ACTIVATED BY MECHANICAL LINKAGE WHEN THE TOP COVER IS OPENED.
7. **WARNING:** DO NOT LET HEADS LOAD DURING THIS STEP - MANUALLY TRIP THE HEAD LOADING CAM LATCH TO AVOID LOADING HEADS, CAREFULLY MOVE CARRIAGE FORWARD INTO DISK PACK. (REF FIG 4-13; IN THE 2311 MAINTENANCE MANUAL.).
8. CHECK CLOSELY FOR INTERFERENCE BETWEEN HEADS, HEAD CABLES, AND DISKS. MOVE THE CARRIAGE ALL THE WAY TO POSITIVE STOP.
9. RESTORE THE CARRIAGE TO THE FULLY RETRACTED POSITION.
10. CHECK FOR PROPER CLEARANCE OF THE INDEX TRANSDUCER TO THE SLOTTED BOTTOM DISK.
11. CLEAN AND REPLACE TOP COVER. OPEN CE COVER (LEFT SIDE OF TOP COVER).
12. REPEAT STPS F2 - F10 ON ALL FILES BEING INSTALLED.

G - FILE MOTOR AND HEAD LOADING CHECK

1. TURN ON FILE AC DISCONNECT SWITCH ONLY ON THE FILE BEING CHECKED ("SOURCE" UNIT POWER IS ON AND FILE START/STOP SWITCH IS OFF).
2. MOUNT CE DISK PACK AND TURN ON THE FILE START/STOP SWITCH.
3. CHECK THE FOLLOWING ITEMS:
 - a. PACK MOTOR STARTS
 - b. BRUSHES START INTO PACK
 - c. AS DISKS COME UP: TO SPEED DETECT PULLS OUT AND CARRIAGE EXTENDS TO HYDRAULIC HOME.
 - d. AFTER BRUSHES WITHDRAW FROM PACK, CARRIAGE GOES FORWARD FAST LOADING THE HEADS, THEN RETURNS TO CYL. 000.
 - e. WHEN HEADS ARE LOADED USE FLASHLIGHT TO CHECK THAT HEAD CABLES, ETC., ARE CLEAR OF DISKS.

| | | | | | | |
|------------|--------|----------------------|---------------------|---------------------|--|--|
| ENG. DATE | | | | | | |
| CHANGE NO. | 411125 | 21 JUN 66 408081B | 26 JUN 67 411309 | 13 MAR 68 411355 | | |

- f. CARRIAGE IS DETENTED AT CYLINDER 000.
- g. READY LIGHT IS ON.
- h. NO OIL LEAKS PRESENT WITH POWER ON.

RELEASED MAINZ

H - HEAD UNLOADING CHECK

(NOTE: THIS PROCEDURE REQUIRES THE ASSISTANCE OF ANOTHER PERSON.)

CAUTION: KEEP FINGERS OUT OF AREA BETWEEN CARRIAGE AND HYDRAULIC UNIT AND BETWEEN CARRIAGE AND CARRIAGE HOUSING.

1. STANDING IN FRONT OF MACHINE, FIRMLY RESTRAIN THE CARRIAGE ASSEMBLY FROM MOVING TOWARD HOME. (THIS CAN BE DONE BY GRASPING THE TOP RAIL WITH THE LEFT HAND.)
2. (NOTE: READ STEP 3 BEFORE EXECUTING STEP 2.) WHILE WATCHING THE HEADS IN THE 2311, POWER DOWN THE "SOURCE" UNIT SUPPLYING POWER TO THE 2311. (2020-POWER DOWN THE CPU. 2841-PLACE IN CE MODE AND PLACE POWER SWITCH ON CE PANEL TO "OFF"). THE HEADS SHOULD UNLOAD IMMEDIATELY.
3. IF THE HEADS DO NOT UNLOAD AT ONCE, BEFORE THE DISKS SLOW DOWN APPRECIABLY, RELEASE THE CARRIAGE ALLOWING IT TO RETRACT FULLY. THIS WILL "KNOCK OFF" THE HEAD LATCH, CAUSING THE HEADS TO UNLOAD. DETERMINE AND ELIMINATE THE CAUSE OF THIS FAILURE BEFORE PROCEEDING, THEN POWER BACK UP AND REPEAT STEP 2 ABOVE.
4. IF THE HEADS DO UNLOAD, CHECK THAT POWER IS PRESENT ON 2311 AS LONG AS THE CARRIAGE IS RESTRAINED FROM MOVING; HOWEVER, WHEN THE CARRIAGE IS ALLOWED TO RETRACT TO HOME, THE HEADS EXTENDED SWITCH SHOULD TRANSFER PERMITTING THE "SOURCE" TO DROP FILE POWER.
5. CLOSE TOP COVERS.
6. REPEAT SECTIONS G AND H ABOVE ON ALL FILES BEING INSTALLED.
7. WITH ALL FILE MOTORS ON, TURN SYSTEM POWER OFF. ALL MOTORS SHOULD TURN OFF, ALL HEADS SHOULD UNLOAD AND ALL CARRIAGES SHOULD RETRACT. (NOTE: IT IS NORMAL FOR SELECT LOCK LAMPS TO FLASH AS POWER GOES OFF.)

I - POWER-ON MOTOR SEQUENCE CHECK

(NOTE: APPLIES TO MULTIPLE FILES ONLY.)

1. TURN ON SYSTEM POWER (FILE START/STOP SWITCHES WERE LEFT ON FROM PREVIOUS STEP).
2. MODULE 0 MOTOR SHOULD START IMMEDIATELY. WHEN CARRIAGE REACHES APPROX. 70% OF RATED SPEED THE CARRIAGE SHOULD EXTEND SLOWLY, THEN STOP AT HYDRAULIC HOME.
3. WHEN MODULE 0 CARRIAGE EXTENDS, MODULE 1 MOTOR SHOULD START, ETC. THIS SHOULD CONTINUE IN SEQUENCE (ONE FILE MOTOR STARTING AT A TIME) UNTIL ALL FILE MOTORS ARE ON.

J - HEAD ALIGNMENT CHECK

NOTICE: ALL HEADS MUST BE ALIGNED AT INSTALLATION TO INSURE INTERCHANGABILITY OF DISK PACKS. REFER TO F.E. MAINTENANCE MANUAL FOR PROCEDURE. (NOTE: TO SAVE TIME, DO ITEM "K" BELOW DURING FILE WARMUP PERIOD.)

AFTER COMPLETING HEAD ALIGNMENT ON ONE FILE, MOVE THE C.E. DISK PACK TO THE NEXT FILE TO BE TESTED AND REPEAT THE ABOVE PROCEDURE.

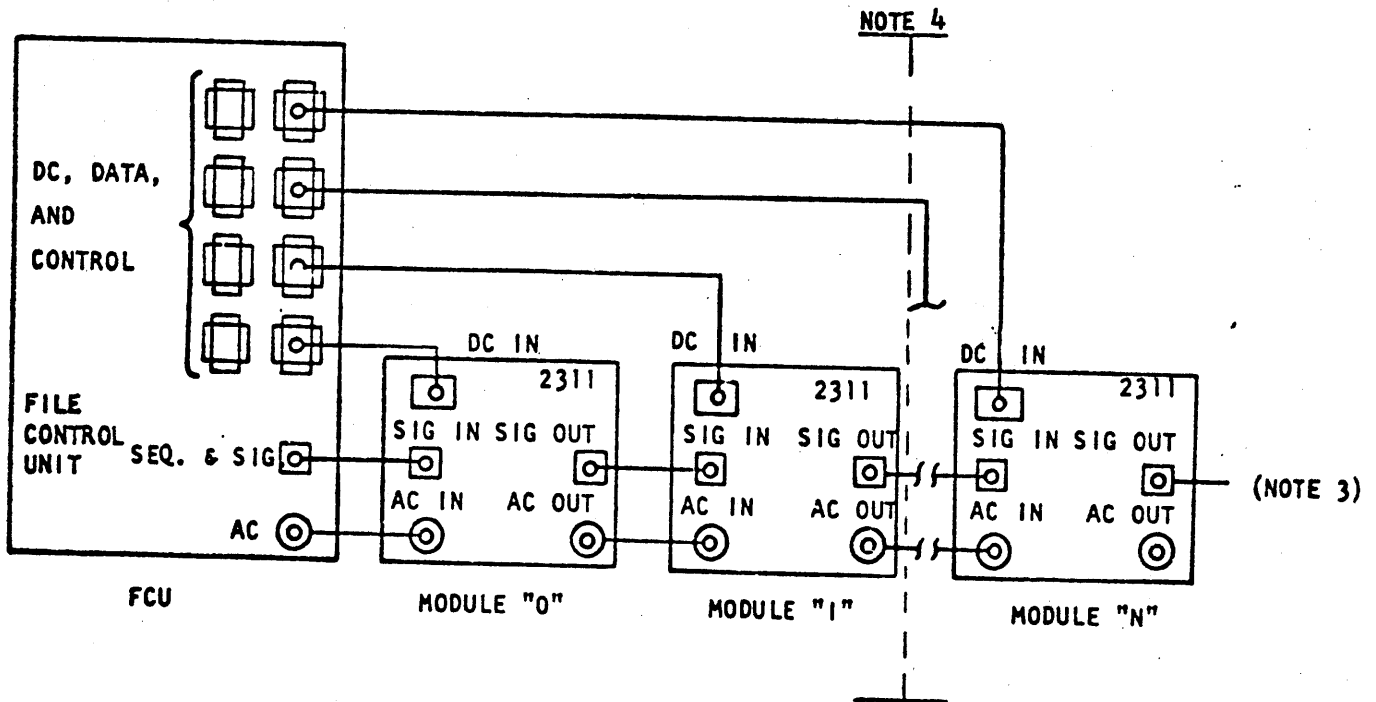
K - GENERAL CHECKS:

RUN DIAGNOSTICS TO CHECK THE OPERATION OF FILES, FCU AND METERS.

| | | | | | | |
|------------|--------|---------|---------|---------|--|--|
| ENG. DATE | | 21JUN66 | 26JUN67 | 13MAR68 | | |
| CHANGE NO. | 411125 | 408081B | 411309 | 411355 | | |

RELEASED MAINZ

FIG. 1 2311 CABLING



NOTE:

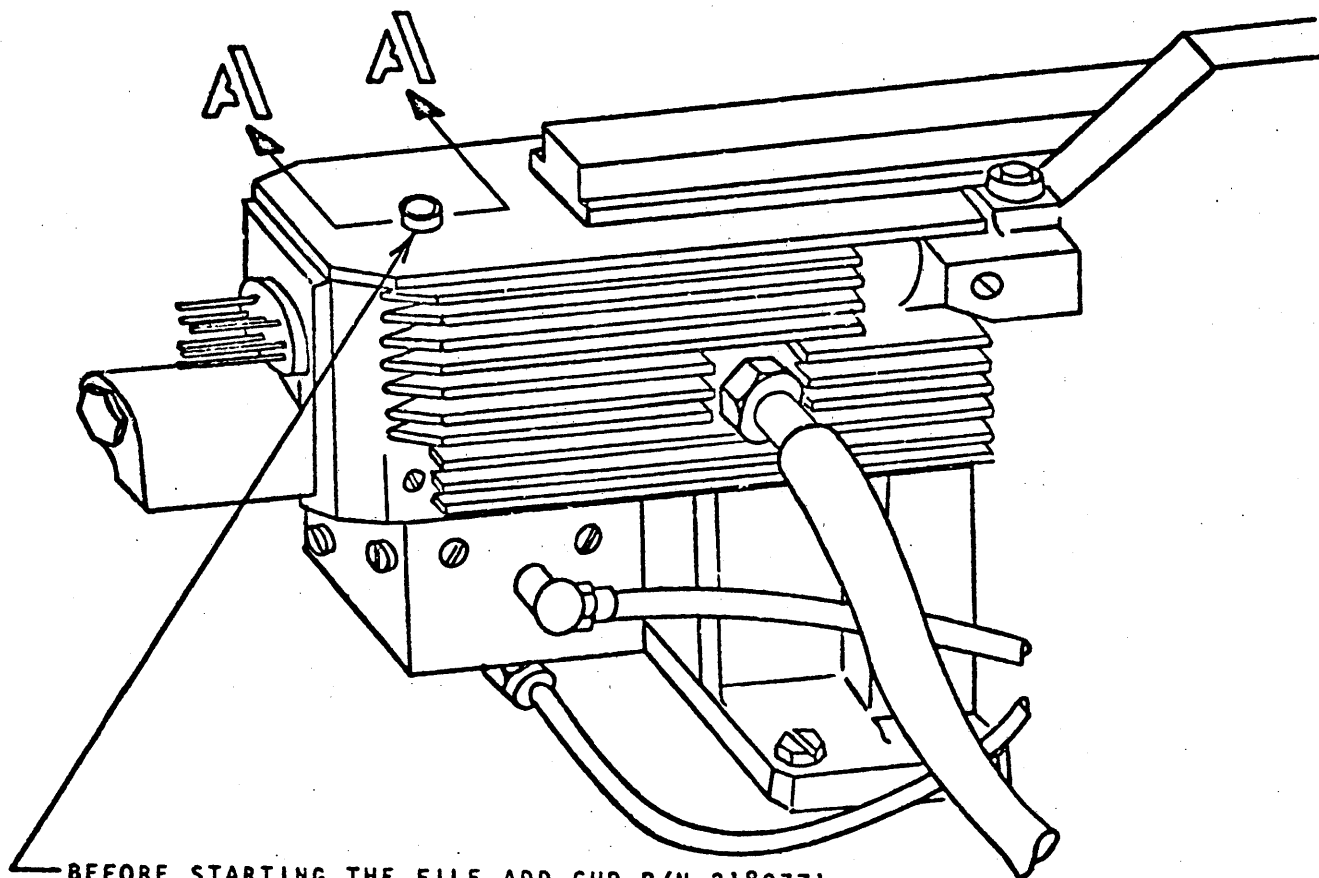
1. WHEN LAYING CABLES, SPACE 2311 CABLES AT LEAST 1 FOOT AWAY FROM ANY NON 2311 CABLES WHICH MIGHT INTRODUCE NOISE INTO THE 2311 (EG: UNSHIELDED POWER CABLES)
2. 2311 AC AND DC IN RECEPTACLES TAKE FEMALE END OF CABLES: THE SIG. IN RECEPTACLE TAKES SIGNAL CABLE PLUG MARKED "IN".
3. A 2311 SIGNAL TERMINATOR MUST BE PLUGGED INTO THE SIGNAL OUT RECEPTACLE OF THE LAST (HIGH ORDER) MODULE. REGARDLESS OF THE NUMBER OF FILES ATTACHED.
4. THE 2020 SYSTEM PROVIDES 2 DC PLUGS TO ACCOMMODATE A MAXIMUM OF 2-2311's. OTHER FILE CONTROL UNITS PROVIDE 8 DC PLUGS TO ACCOMMODATE UP TO 8-2311's.

| | | | | | |
|------------|--------|---------|---------|--|--|
| ENG. DATE | | 26JUN67 | 13MAR68 | | |
| CHANGE NO. | 411125 | 411309 | 411355 | | |

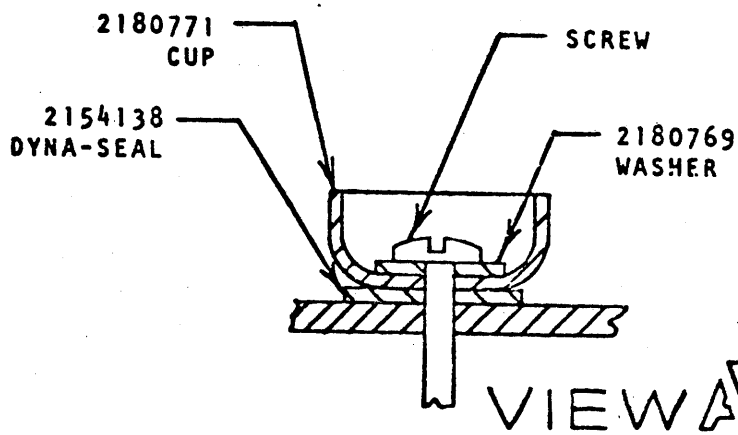
HYDRAULIC SUMP RELIEF INSTALLATION

RELEASED MAINZ

2181069 - WORLD TRADE CORP. MACHINES ONLY



BEFORE STARTING THE FILE ADD CUP P/N 2180771 AND WASHER P/N 2180769 TO THE HYDRAULIC SUMP. BOTH PARTS ARE PROVIDED IN A PAPER-BAG ATTACHED TO THE HYDRAULIC UNIT.



| | | | | | |
|------------|--------|---------|---------|---------|--|
| ENG. DATE | 411125 | 21JUN66 | 26JUN67 | 13MAR68 | |
| CHANGE NO. | | 408081B | 411309 | 411355 | |

1122

2311

TAB INSERT FOR FRONT COVER

127-0792-3

IBM 2311 PRINTED IN U.S.A. 127-0792-3

IBM

International Business Machines Corporation
Field Engineering Division
112 East Post Road, White Plains, N. Y. 10601